

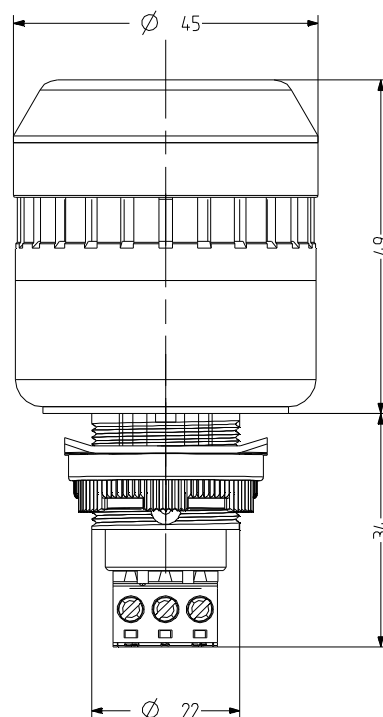
ELM LED panel mount buzzer

- Ø 45 mm panel-mount buzzer with LED steady/flashing beacon
- Max. 98 dB (A) sound pressure, infinitely adjustable
- High degree of protection IP 65, user-friendly connection technology
- Panel size Ø 22.5 mm/M22
- Pulsing tone with LED flashing light
- Steady tone with LED steady light
- Switching via terminal assignment
- For industrial and general applications
- Adapter available for M30.5 mm panel size



TECHNICAL DATA

Housing	Ø 45 mm, Polycarbonate grey or black
Lens	Polycarbonate, ribbed inside orange, red, clear, blue, green or yellow
Type of mounting	any, any
Panel size	22 mm (M22) and 30.5 mm (with adapter)
Connection technology	bis 2,5 mm ²
Beacon type	LED steady beacon or LED flashing beacon
Strobe/flash frequency	2 Hz
Tone	2 Tones, 2 Tones can be switched externally, Steady tone or Pulsing tone
Volume	85-98 dB (can be adjusted when panel mounted)
Tone frequency	3.500 Hz
Duty cycle	100 %
Service life	Light source: 100.000 h
Operating temperature	-25 °C / +60 °C
Degree of protection	IP65
Weight	65 g



ELM

ORDER DATA

Lens colour	Nominal voltage	Voltage range (V)	Nominal current (A)	Housing colour	
				black	grey
orange	12 V AC/DC	+/- 10 %	0,035	813 511 404	813 111 404
	24 V AC/DC	+/- 10 %	0,058	813 511 405	813 111 405
	110-120 V AC	+/- 10 %	0,042	813 511 310	813 111 310
	230-240 V AC	+/- 10 %	0,040	813 511 313	813 111 313
red	12 V AC/DC	+/- 10 %	0,035	813 512 404	813 112 404
	24 V AC/DC	+/- 10 %	0,058	813 512 405	813 112 405
	110-120 V AC	+/- 10 %	0,042	813 512 310	813 112 310
	230-240 V AC	+/- 10 %	0,040	813 512 313	813 112 313
clear	12 V AC/DC	+/- 10 %	0,035	813 514 404	813 114 404
	24 V AC/DC	+/- 10 %	0,058	813 514 405	813 114 405
	110-120 V AC	+/- 10 %	0,042	813 514 310	813 114 310
	230-240 V AC	+/- 10 %	0,040	813 514 313	813 114 313
blue	12 V AC/DC	+/- 10 %	0,035	813 515 404	813 115 404
	24 V AC/DC	+/- 10 %	0,058	813 515 405	813 115 405
	110-120 V AC	+/- 10 %	0,042	813 515 310	813 115 310
	230-240 V AC	+/- 10 %	0,040	813 515 313	813 115 313
green	12 V AC/DC	+/- 10 %	0,035	813 516 404	813 116 404
	24 V AC/DC	+/- 10 %	0,058	813 516 405	813 116 405
	110-120 V AC	+/- 10 %	0,042	813 516 310	813 116 310
	230-240 V AC	+/- 10 %	0,040	813 516 313	813 116 313
yellow	12 V AC/DC	+/- 10 %	0,035	813 517 404	813 117 404
	24 V AC/DC	+/- 10 %	0,058	813 517 405	813 117 405
	110-120 V AC	+/- 10 %	0,042	813 517 310	813 117 310
	230-240 V AC	+/- 10 %	0,040	813 517 313	813 117 313



ADM30

ACCESSORIES

Type	Type of accessory	Weight	Order number
ADM30	Adapter for M30.5 for 30.5 mm holes	8 g	812 500 900

TONE TABLE

Tone and light selection on terminal

La	N	Lb	Tone and light synchronized
X	X		pulsing tone / LED flashing light
X	X	X	continuous tone / steady light



Mouser Electronics

Authorized Distributor

Click to View Pricing, Inventory, Delivery & Lifecycle Information:

[Auer Signal:](#)

[813511313](#) [813511405](#) [813512313](#) [813512405](#)