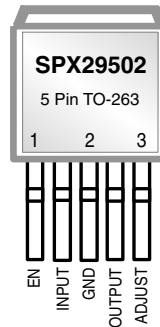


FEATURES

- Adjustable Output Down to 1.25V
- 1% Output Accuracy
- Output Current of 5A
- Low Dropout Voltage: 420mV @ 5A
- Tight Line Regulation: 0.06%
- Load Regulation: 0.2%
- Fast Transient Response
- Reverse-Battery Protection
- Current Limit and Thermal Protection

APPLICATIONS

- Powering VGA & Sound Card
- Power PC™ Supplies
- SMPS Post Regulator
- High Efficiency “Green” Computer Systems
- High Efficiency Linear Power Supplies
- Constant Current Regulators
- Adjustable Power Supplies
- Battery Charger



Now Available in Lead Free Packaging

DESCRIPTION

The SPX29501/02 are 5A highly accurate voltage regulators with a low dropout voltage of 420mV @ 5A. These regulators are specifically designed for low voltage applications that require a low dropout voltage and a fast transient response. They are fully fault protected against over-current, reverse battery, and positive and negative voltage transients. On-Chip trimming adjusts the reference voltage to 1% initial accuracy. Other features include Enable, and Error Flag.

The SPX295001/02 are offered in 5-pin TO-220 & TO-263 packages. For a 1.5A version, refer to the SPX29150 data sheet. For a 3A version, refer to the SPX29300 datasheet.

TYPICAL APPLICATION CIRCUITS

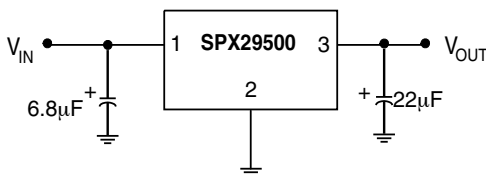


Figure 1. Fixed Output Linear Regulator

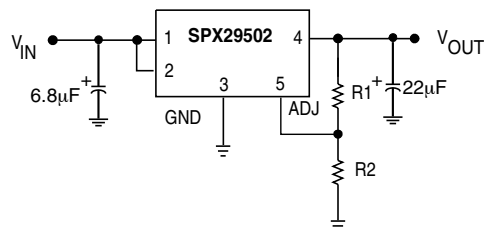


Figure 2. Adjustable Output Linear Regulator

ABSOLUTE MAXIMUM RATINGS

| | |
|---|----------------------|
| Lead Temperature (soldering, 5 seconds) |260°C |
| Storage Temperature Range |-65°C to +150°C |
| Operating Junction Temperature Range |-40°C to +125°C |
| Input Voltage (Note 1) | 20V |

OPERATING RATINGS

| | |
|---------------|-----------|
| Input Voltage | 16V |
|---------------|-----------|

ELECTRICAL CHARACTERISTICS

Specifications are at $V_{IN} = V_{OUT} + 1V$ and $I_{OUT} = 10mA$, $C_{IN} = 6.8\mu F$, $C_{OUT} = 22\mu F$, $T_A = 25^\circ C$, unless otherwise specified. The \blacklozenge denotes the specifications which apply over the full operating temperature range, unless otherwise specified.

| PARAMETER | MIN | TYP | MAX | UNITS | CONDITIONS |
|--|----------------|------------------|----------------|---------------|---|
| Fixed Voltage Options SPX29501 | | | | | |
| 1.8V Version | | | | | |
| Output Voltage | 1.782 1.764 | 1.800 1.800 | 1.818 1.836 | V | $I_{OUT} = 10mA$ \blacklozenge $10mA \leq I_{OUT} \leq 5A$, $2.8V \leq V_{IN} \leq 16V$ |
| 2.5V Version | | | | | |
| Output Voltage | 2.475 2.450 | 2.500 2.500 | 2.525 2.550 | V | $I_{OUT} = 10mA$ \blacklozenge $10mA \leq I_{OUT} \leq 5A$, $3.5V \leq V_{IN} \leq 16V$ |
| 3.3V Version | | | | | |
| Output Voltage | 3.267 3.234 | 3.300 3.300 | 3.333 3.366 | V | $I_{OUT} = 10mA$ \blacklozenge $10mA \leq I_{OUT} \leq 5A$, $4.3V \leq V_{IN} \leq 16V$ |
| 5.0V Version | | | | | |
| Output Voltage | 4.950 4.900 | 5.000 5.000 | 5.050 5.100 | V | $I_{OUT} = 10mA$ \blacklozenge $10mA \leq I_{OUT} \leq 5A$, $6.0V \leq V_{IN} \leq 16V$ |
| All Voltage Options SPX29501/02 | | | | | |
| Line Regulation | | 0.06 | 0.5 | % | $I_{OUT}=10mA$, $(V_{OUT}+1V) \leq V_{IN} \leq 16V$ |
| Load Regulation | | 0.2 | 1 | % | $V_{IN}=V_{OUT}+2V$, $10mA \leq I_{OUT} \leq I_{FL}$ (Note 2) |
| $\Delta V/\Delta T$ | | 20 | 100 | ppm/°C | \blacklozenge V_{OUT} Temp Coefficient (Note 5) |
| Dropout Voltage, except 1.8V | | 90 250 420 | 250 800 | mV | \blacklozenge $I_{OUT}=250mA$ \blacklozenge $I_{OUT}=2.5A$ \blacklozenge $I_{OUT}=5A$ |
| Ground Current (Note 4) | | 20 70 | 50 | mA | \blacklozenge $I_{OUT}=2.5A$ \blacklozenge $I_{OUT}=5A$ |
| Ground Pin Current at Dropout | | 3 | | mA | $V_{IN}=0.5V$ less than specified V_{OUT} , $I_{OUT}=10mA$ |
| Current Limit | | 7.5 | 10 | A | \blacklozenge (Note 3) |
| Output Noise Voltage (10Hz to 100kHz) $I_L=100mA$ | | 425 350 | | μV_{RMS} | $C_L=22\mu F$ $C_L=33\mu F$ |
| Reference Voltage | 1.228 1.215 | 1.240 | 1.252 1.265 | V | Adjustable version only \blacklozenge |
| Reference Voltage | 1.203 | | 1.277 | V | Adjustable version only (Note 7) |
| Adjust Pin Bias Current | | 40 | 80 120 | nA | \blacklozenge |
| Reference Voltage Temp. Coeff. | | 20 | | ppm/°C | (Note 6) |
| Adjust Pin Bias Current Temp. Coeff. | | 0.1 | | nA/°C | |

ELECTRICAL CHARACTERISTICS: Continued

Specifications are at $V_{IN} = V_{OUT} + 1V$ and $I_{OUT} = 10mA$, $C_{IN} = 6.8\mu F$, $C_{OUT} = 22\mu F$, $T_A = 25^\circ C$, unless otherwise specified. The \blacklozenge denotes the specifications which apply over the full operating temperature range, unless otherwise specified.

| PARAMETER | MIN | TYP | MAX | UNITS | | CONDITIONS |
|--|----------|--------------------|----------------------|--------------------|------------------------------------|--|
| Flag Output (Error Comparator) SPX29501 | | | | | | |
| Output Leakage Current | | 0.01 | 1 2 | μA | \blacklozenge | $V_{OH}=16V$ |
| Output Low Voltage | | 220 | 300 400 | mV | \blacklozenge | Device set for 5V, $V_{IN}=4.5V$, $I_{OL}=250\mu A$ |
| Upper Threshold Voltage | 40 25 | 60 | | mV | \blacklozenge | Device set for 5V, (Note 8) |
| Lower Threshold Voltage | | 75 | 95 140 | mV | \blacklozenge | Device set for 5V, (Note 8) |
| Hysteresis | | 15 | | mV | | Device set for 5V, (Note 8) |
| Enable Input SPX29501/02 | | | | | | |
| Input Logic Voltage Low (OFF) High (ON) | 2.4 | | 0.8 | V | | (Note 10) |
| ENABLE Input Current | | 100 0.6 | 600 750 2 4 | μA μA | \blacklozenge \blacklozenge | $V_{EN}=16V$ $V_{EN}=0.8V$ |
| Regulator Output Current in Shutdown | | 10 | 500 | μA | \blacklozenge | (Note 9) |
| Thermal Resistance | | 2 60 2 60 | | $^\circ C/W$ | | TO-220 Junction to Case, at Tab TO-220 Junction to Ambient TO-263 Junction to Case, at Tab TO-263 Junction to Ambient |

NOTES:

Note 1: Maximum positive supply voltage of 20V must be of limited duration (<100ms) and duty cycle of less than 1%. The maximum continuous supply voltage is 16V.

Note 2: Full load current (I_{FL}) is defined as 5A.

Note 3: $V_{IN} = V_{OUT (NOMINAL)} + 1V$. For example, use $V_{IN} = 4.3V$ for a 3.3V regulator. Employ pulse-testing procedures to minimize temperature rise.

Note 4: Ground pin current is the regulator quiescent current. The total current drawn from the source is the sum of the load current plus the ground pin current.

Note 5: Output voltage temperature coefficient is defined as the worst case voltage change divided by the total temperature range.

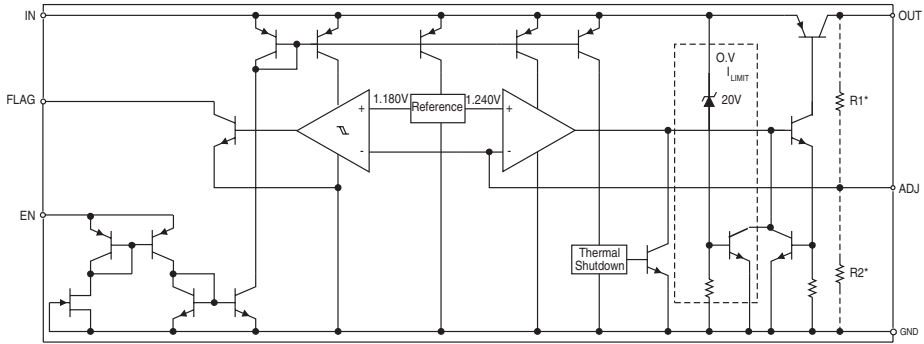
Note 6: Thermal regulation is defined as the change in output voltage at time T after a change in power dissipation is applied, excluding load / line regulation effects. Specifications for a 200mA load pulse as $V_{IN} = 20V$ (a 4W pulse) for $t = 10ms$.

Note 7: $V_{REF} \leq V_{OUT} \leq (V_{IN}-1)$, $2.3V \leq V_{IN} \leq 16V$, $10mA \leq I_L \leq I_{FL}$, $T_J < T_{Jmax}$.

Note 8: Comparator threshold is expressed in terms of a voltage differential at the Adjust terminal below the nominal reference voltage measured 6V input. To express these thresholds in terms of output voltage change, multiply the error amplifier gain = $V_{OUT}/V_{REF} = (R1 + R2)/R2$. For example, at a programmable output voltage of 5V, the Error output is guaranteed to go low when the output drops by $95mV \times 5V / 1.240V = 383mV$. Threshold remain constant as a percent of V_{OUT} as V_{OUT} is varied, with the dropout warning occurring at typically 5% below nominal, 7.7% guaranteed.

Note 9: $V_{EN} \leq 0.4V$ and $V_{IN} \leq 16V$, $V_{OUT} = 0$.

Note 10: Measured with $I_{OUT} = I_{OUT MIN}$ (10mA).



TYPICAL PERFORMANCE CHARACTERISTICS

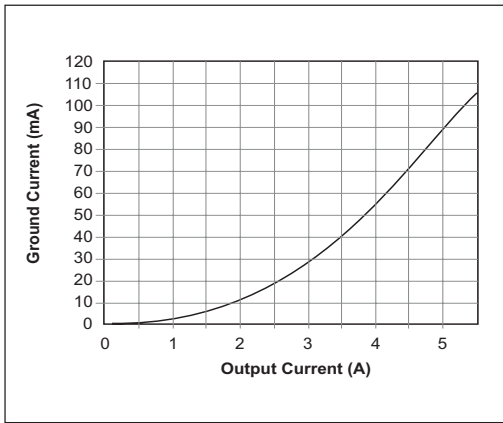


Figure 3. Ground Current (mA) vs. Output Current (A)

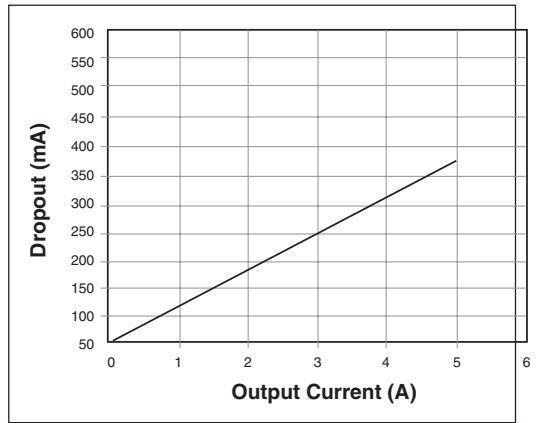


Figure 4. Dropout (mV) vs. Output Current (A)

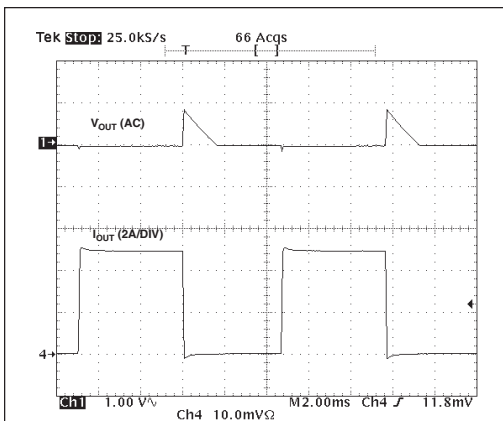


Figure 5. Load Transient ($V_{IN}=4V$, $V_O=3.3V$, $C_{OUT}=22\mu F$, $I_O=10mA\sim 5A$)

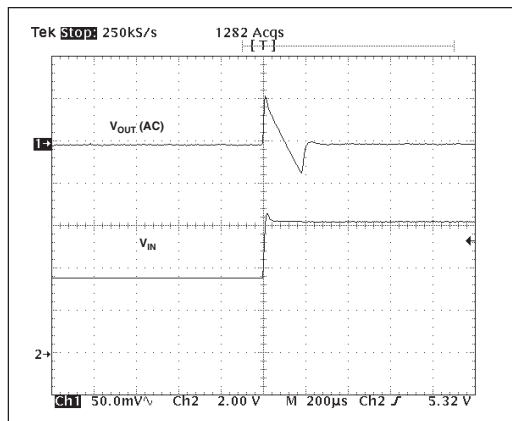


Figure 6. Line Transient ($C_{OUT}=22\mu F$, $I_O=10mA$)

The SPX29501/02 incorporates protection against over-current faults, reversed load insertion, over temperature operation, and positive and negative transient voltage.

Thermal Considerations

Although the SPX29501/02 offers limiting circuitry for overload conditions, it is still necessary to insure that the maximum junction temperature is not exceeded in the application. Heat will flow through the lowest resistance path, the junction-to-case path. In order to insure the best thermal flow of the component, proper mounting is required.

TO-220 Design Example:

Assume that $V_{IN} = 8V$, $V_{OUT} = 5V$, $I_{OUT} = 5A$, $T_A = 50^\circ C$, $\theta_{HA} = 1^\circ C/W$, $\theta_{CH} = 2^\circ C/W$, and $\theta_{JC} = 2^\circ C/W$, where:

T_A = ambient temperature,
 θ_{HA} = heatsink to ambient thermal resistance
 θ_{CH} = case to heatsink thermal resistance
 θ_{JC} = junction to case thermal resistance

The power calculated under these conditions is:

$$P_D = (V_{IN} - V_{OUT}) * I_{OUT} = 15W.$$

And the junction temperature is calculated as

$$T_J = T_A + P_D * (\theta_{HA} + \theta_{CH} + \theta_{JC}) \text{ or}$$

$$T_J = 50 + 15 * (1+2+2) = 125^\circ C$$

Reliable operation is insured.

Capacitor Requirements

The output capacitor is needed to insure stability and minimize the output noise. The value of the capacitor varies with the load. However, a minimum value of 22 μ F aluminum capacitor will guarantee stability over all load conditions. A tantalum capacitor is recommended if a faster

load transient response is needed. If the power source has a high AC impedance, a 0.1 μ F ceramic capacitor between input & ground is recommended.

Minimum Load Current

To ensure a proper behavior of the regulator under light load, a minimum load of 10mA for SPX29501/02 is required.

Adjustable Regulator Design

The SPX29502 is an adjustable regulator that can be programmed to any value between 1.24V and 16V using 2 resistors, R1 and R2. The relationship between the resistors is:

$$R1 = R2(V_{OUT}/1.24-1).$$

Error Flag

The SPX29501 features an error flag that indicates either an over current or under voltage condition. The flag output goes low, sinking 10mA when either condition occurs.

Enable Input

The SPX29501/02 have an Enable function that switches the regulator on and off. Their thresholds are TTL compatible. Enabling the regulator requires approximately 20 μ A of current.

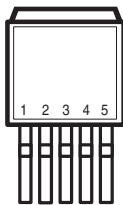
Typical Application Circuits

Figure 1 represents a typical fixed output regulator. Figure 2 represents an adjustable output regulator. The values of R1 and R2 set the output voltage value as follows:

$$V_{OUT} = V_{REF} * [1 + (R1/R2)].$$

For best results, the total series resistance should guarantee a minimum regulator load current of 10mA.

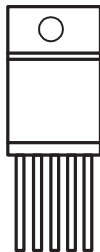
TO-263-5 Package (T5)



Top View

| | |
|----------|-----------|
| SPX29501 | SPX29502 |
| 1)ENABLE | 1) ENABLE |
| 2)INPUT | 2) INPUT |
| 3)GND | 3) GND |
| 4)OUTPUT | 4) OUTPUT |
| 5)FLAG | 5) ADJUST |

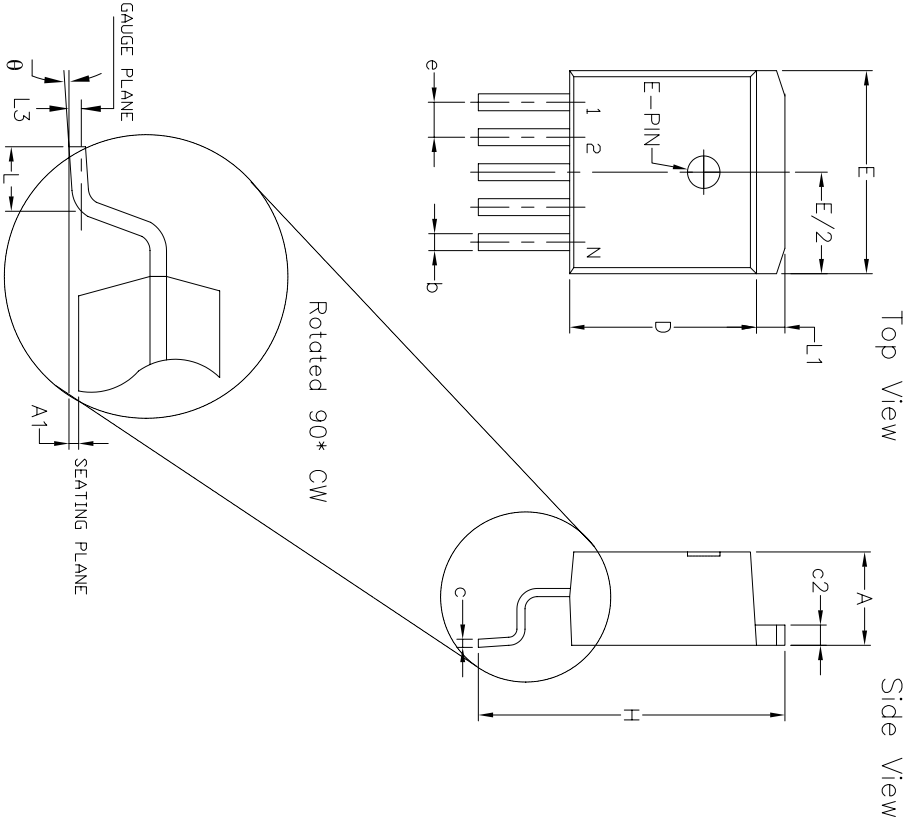
TO-220-5 Package (U5)



Top View

| | |
|----------|-----------|
| SPX29501 | SPX29502 |
| 1)ENABLE | 1) ENABLE |
| 2)INPUT | 2) INPUT |
| 3)GND | 3) GND |
| 4)OUTPUT | 4) OUTPUT |
| 5)FLAG | 5) ADJUST |

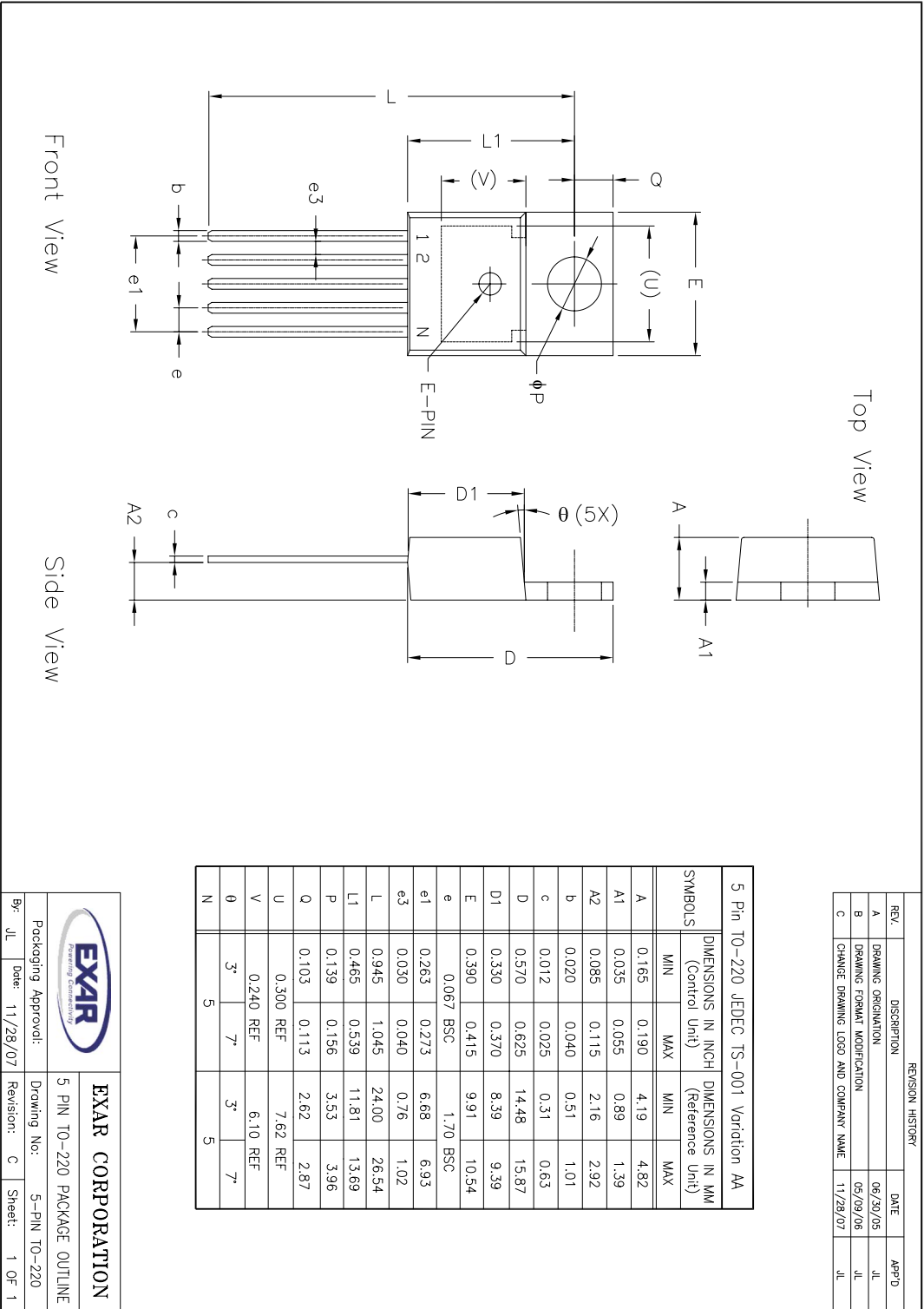
*Tab is internally connected to GND



| REVISION HISTORY | | | |
|------------------|---|----------|-------|
| REV. | DISCRIPTION | DATE | APP'D |
| A | DRAWING ORIGINATOR | 01/18/06 | JL |
| B | CORRECTED JEDEC VARIATION FROM BB TO BA | 06/12/06 | JL |
| C | DRAWING FORMAT MODIFICATION | 09/12/06 | JL |
| D | CHANGE DRAWING LOGO AND COMPANY NAME | 11/28/07 | JL |

| 5 Pin TO-263 JEDEC TO-263 Variation BA | | | | | | |
|--|--------------------------------------|-----------|-------|--------------------------------------|----------|-------|
| SYMBOLS | DIMENSIONS IN INCH (Control Unit) | | | DIMENSIONS IN MM (Reference Unit) | | |
| | MIN | NOM | MAX | MIN | NOM | MAX |
| A | 0.160 | — | 0.190 | 4.06 | — | 4.83 |
| A1 | 0.000 | — | 0.010 | 0.00 | — | 0.25 |
| b | 0.020 | — | 0.039 | 0.51 | — | 0.99 |
| c | 0.015 | — | 0.029 | 0.38 | — | 0.74 |
| c2 | 0.045 | — | 0.065 | 1.14 | — | 1.65 |
| D | 0.330 | — | 0.380 | 8.38 | — | 9.65 |
| D1 | 0.270 | — | — | 6.86 | — | — |
| E | 0.380 | — | 0.420 | 9.65 | — | 10.67 |
| E1 | 0.245 | — | — | 6.22 | — | — |
| e | — | 0.067 BSC | — | 1.70 BSC | — | — |
| H | 0.575 | — | 0.625 | 14.61 | — | 15.88 |
| L | 0.070 | — | 0.110 | 1.78 | — | 2.79 |
| L1 | — | — | 0.066 | — | — | 1.68 |
| L3 | — | 0.010 BSC | — | — | 0.25 BSC | — |
| theta | — | — | — | — | — | — |
| N | — | 5 | — | — | 5 | — |

| | | | |
|-----------------------|--|------------------------------|--|
| | | EXAR CORPORATION | |
| | | 5 PIN TO-263 PACKAGE OUTLINE | |
| Packaging Approval: | | Drawing No: | |
| By: JL Date: 11/28/07 | | Revision: D | |
| 11/28/07 | | 5-PIN TO-263 | |
| 1 OF 1 | | Sheet: | |



ORDERING INFORMATION

| PART NUMBER | ACCURACY | OUTPUT VOLTAGE | PACKAGE |
|------------------------|----------|----------------|---------------|
| SPX29500U-L-1-8 | EOL | | |
| SPX29500U-L-2-5 | EOL | | |
| SPX29500U-L-3-3 | EOL | | |
| SPX29500U-L-5-0 | EOL | | |
| SPX29500T-L-1-8 | EOL | | |
| SPX29500T-L-2-5 | EOL | | |
| SPX29500T-L-3-3 | EOL | | |
| SPX29500T-L-5-0 | EOL | | |
| SPX29501U5-L-1-8 | EOL | | |
| SPX29501U5-L-2-5 | EOL | | |
| SPX29501U5-L-3-3 | EOL | | |
| SPX29501U5-L-5-0 | EOL | | |
| SPX29501T5-L-1-8 | 1.0% | 1.8V | 5 lead TO-263 |
| SPX29501T5-L-2-5 | 1.0% | 2.5V | 5 lead TO-263 |
| SPX29501T5-L-3-3 | 1.0% | 3.3V | 5 lead TO-263 |
| SPX29501T5-L-5-0 | 1.0% | 5.0V | 5 lead TO-263 |
| SPX29502T5-L | 1.0% | Adj | 5 lead TO-263 |
| SPX29502U5-L | 1.0% | Adj | 5 lead TO-220 |
| SPX29503T5-L | EOL | | |
| SPX29503U5-L | EOL | | |

Please consult the factory for pricing and availability on a Tape-On-Reel option.

FOR FURTHER ASSISTANCE

Email:

customersupport@exar.com

Exar Technical Documentation:

<http://www.exar.com/TechDoc/default.aspx>



EXAR CORPORATION

HEADQUARTERS AND SALES OFFICES

48720 Kato Road

Fremont, CA 94538 – USA

Tel.: +1 (510) 668-7000

Fax: +1 (510) 668-7030

www.exar.com

NOTICE

EXAR Corporation reserves the right to make changes to the products contained in this publication in order to improve design, performance or reliability. EXAR Corporation assumes no responsibility for the use of any circuits described herein, conveys no license under any patent or other right, and makes no representation that the circuits are free of patent infringement. Charts and schedules contained here in are only for illustration purposes and may vary depending upon a user's specific application. While the information in this publication has been carefully checked; no responsibility, however, is assumed for inaccuracies.

EXAR Corporation does not recommend the use of any of its products in life support applications where the failure or malfunction of the product can reasonably be expected to cause failure of the life support system or to significantly affect its safety or effectiveness. Products are not authorized for use in such applications unless EXAR Corporation receives, in writing, assurances to its satisfaction that: (a) the risk of injury or damage has been minimized; (b) the user assumes all such risks; (c) potential liability of EXAR Corporation is adequately protected under the circumstances.

Reproduction, in part or whole, without the prior written consent of EXAR Corporation is prohibited.

Mouser Electronics

Authorized Distributor

Click to View Pricing, Inventory, Delivery & Lifecycle Information:

[MaxLinear:](#)

[SPX29502T5-L](#) [SPX29501T5-L-5-0/TR](#) [SPX29502U5-L](#) [SPX29501T5-L-3-3/TR](#) [SPX29501T5-L-3-3](#) [SPX29501T5-L-5-0](#) [SPX29502T5-L/TR](#) [SPX3940M3-L-1-8](#) [SPX29502T5/TR](#) [SPX29502T5](#)