

The **ARC/ARD Series** is a duplexor that detects input of float switch inputs and determines outputs to turn on with line voltage. As the lag and lead switches open, the loads remain energized. When all switches open both loads de-energize simultaneously and the lead load alternates. The ARD series has a 3 position selector switch to lock it into normal duplexing action, 1-2 sequence or 2-1 sequence.

### Sequence On-Simultaneous Off (SOSO)

#### SPECIFICATIONS

<b>CONTROL VOLTAGE</b>	120 VAC +10/-20 %
<b>POWER REQUIRED</b>	Less than 3 VAC
<b>DUTY CYCLE</b>	Continuous
<b>LIFE EXPECTANCY</b>	Mechanical 10,000,000 Operations (Minimum) Electrical 100,000 Operations @ Rated Load
<b>INDICATORS</b>	LED Shows Output Position
<b>TEMPERATURES RATING</b>	Operate 32 to 149°F (0 to 65°C) Storage -40° to 185°F (-40° to +85°C)
<b>CONTACT RATING</b>	5 Amps Resistive @ 120 VAC (Single Output) 1/6 hp @ 120 VAC (Single Output) 10 Amps Res. @ 120 VAC (Combined Output) 1/3 hp @ 120 VAC (Combined Output)
<b>ENCLOSURE</b>	"A" Lexan® Dust Cover
<b>TERMINATIONS</b>	Industrial Plug-in
<b>WEIGHT</b>	6.4 oz.

#### MODEL NUMBER

<b>MODEL NUMBER</b>	A					A	
<b>UL STATUS</b>							
UL Recognized	R						
UL Listed (OTO8 socket)	U						
<b>TYPE OF ALTERNATING RELAY</b>							
Standard Duplexor	C						
Special Function Duplexor	D						
<b>CONTROL VOLTAGE</b>							
120 VAC				120			
<b>TYPE OF VOLTAGE</b>							
VAC					A		
<b>CONTACT CONFIGURATION</b>							
SPDT Two Line Voltage Outputs (Crosswired)						A	
<b>ENCLOSURE STYLE</b>							A

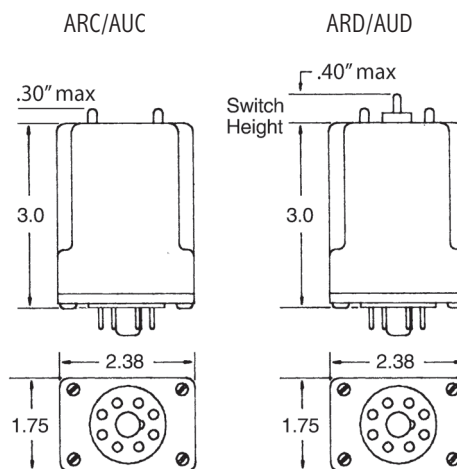
#### ORDER

AUC120AAU and AUD120AAU which includes socket OTO8 as UL listed Unit

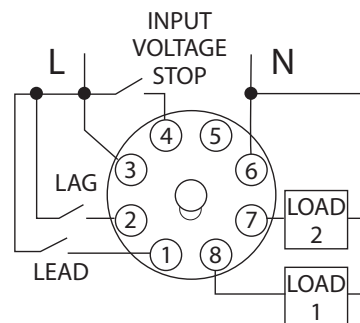


Duplexor

#### DIMENSIONS (INCHES)



#### WIRING



# Mouser Electronics

Authorized Distributor

Click to View Pricing, Inventory, Delivery & Lifecycle Information:

[ATC Diversified Electronics:](#)

[ARD-120-AAA](#) [ARC-120-AAA](#)