

**ELECTRICAL SPECIFICATIONS**

- APPLIED VOLTAGE----- 5V D.C
- CENTER VOLTAGE----- 2.5V D.C
- SUPPLY CURRENT----- 6mA MAX/AXIS
- OUTPUT CURRENT----- 2mA MAX/AXIS
- EFFECTIVE OUTPUT ----- 0V TO 5.0V DC
- OUTPUT TOLERANCE----- ±2%
- LOAD RESISTANCE----- 1000 OHMS MIN.

**MECHANICAL**

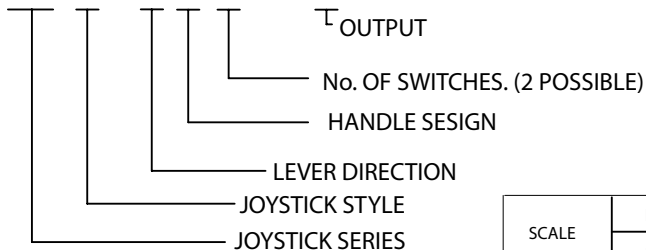
- RANGE OF OPERATING LEVER----- ±18° BI-DIRECTIONAL FROM CENTER.
- OPERATING FORCE FOR X , Y AND Z DIR.----- APPROX. 0.151Nm
- OPERATING TEMPERATURE----- -40° TO +85°C
- LIFE EXPECTANCY----- 3 MILLION OPERATIONS

**WIRING**

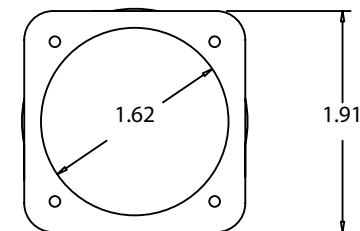
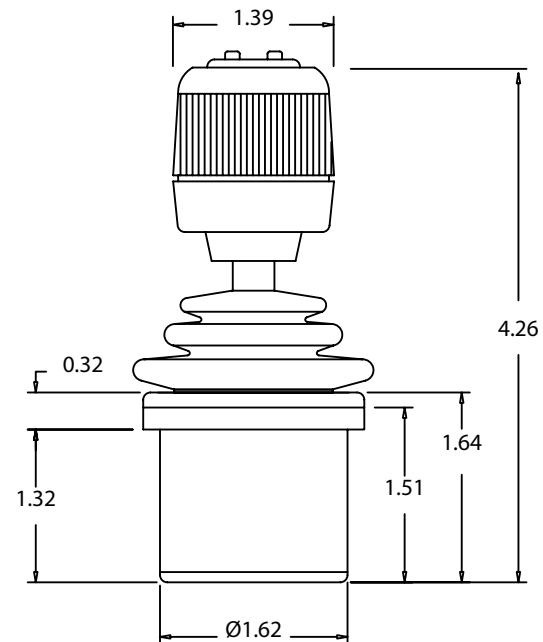
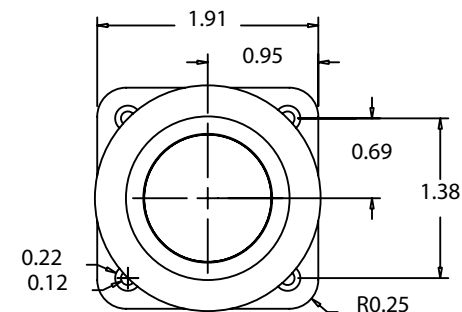
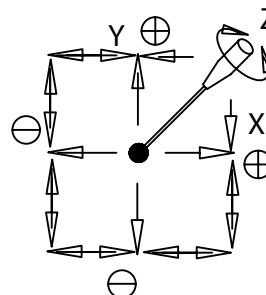
USB 1.1 4.00V - 5.25V @ 25mA MAX

**NOMENCLATURE**

**JHE13- KC 2 - USB**



**"K" LEVER OPERATION**



SCALE	DATE:	2-17-07
	BY	AT
NONE	APPRV'D	
CODE IDENT:	19477	



**ETI SYSTEMS**  
CARLSBAD CALIFORNIA

TITLE	PART NO.
<b>JOYSTICK</b>	JHE13-KC2-USB

# Mouser Electronics

Authorized Distributor

Click to View Pricing, Inventory, Delivery & Lifecycle Information:

[ETI Systems:](#)

[JHE13-KC2-USB](#)