

20 WATT

SINGLE OUTPUT SWITCHING ADAPTER

WTA20-SX-Y-C2 SERIES

WTA available in U.S., Europe, Australia, and U.K.



RoHS



GENERAL SPECIFICATION

The purpose of the document is to specify the functional requirements of a 20W switching AC adapter.

Features:

- Two pin wall mount input plug
- Wide range AC input
- Level B EMI filter
- Fully enclosed plastic case
- High efficiency
- High Quality
- Power saving state under 0.3 watts
- U.S. plug shown on right
- *See available territories at bottom*

1) INPUT

Description	Min.	Nominal	Max.	Condition
Input Voltage	90VAC	100/240VAC	264VAC	Auto Range; 50/60Hz
Input Current(rms)	0.8 Arms Max. At any input voltage and Max. DC output rated load.			
Line Frequency	47Hz	50/60Hz	63Hz	-
Efficiency	74% typ. At full load and 115 VAC			

2) OUTPUT

Model No.	Nominal Voltage	Max. Power	Output Current		Line Regulation	Load Regulation	Ripple & Noise
			MIN.	MAX.			
WTA20-05SX-Y-C2	5 VDC	15 W	0A	3.0A	±1%	±5%	50 mVp-p
WTA20-06SX-Y-C2	6 VDC	18 W	0A	3.0A	±1%	±5%	60 mVp-p
WTA20-09SX-Y-C2	9 VDC	20 W	0.0A	2.2A	±1%	±5%	90 mVp-p
WTA24-12SX-Y-C2	12 VDC	24 W	0.0A	2A	±1%	±5%	120 mVp-p
WTA24-24SX-Y-C2	24 VDC	24 W	0.0	1A	±1%	±5%	240 mVp-p

NOTE: The ripple and noise are as follows when measure with Max. Bandwidth of 20 MHz and parallel 10uF/0.1uF, cross-connected at testing point.

- 2.1) Hold up time:** 16ms minimum at full load @ 115VAC
- 2.2) Rise Time:** 20mS Max. At 115Vac input and output Max. Load.
- 2.3) Ripple/Noise (V_{p-p}):** 1% (20MHz Bandwidth)

3) PROTECTION:

- 3.1) Short Circuit Protection:**
The power supply will be auto recovery when short circuit faults remove; pulsing mode.
- 3.2) Over Power Protection:**
Total power protection at normal AC input voltage,
The power supply will be auto recovery.
- 3.3) Over Voltage Protection:**
Built-in.

4) ENVIRONMENT

- 4.1) Operating Temperature:**
0°C to 40°C, ambient
- 4.2) Storage Temperature:**
-20°C to 80°C ambient
- 4.3) Relative Humidity:**
5% (0°C) ~ 90%(40°C) RH, 72Hrs, Full load, Normal operating
- 4.4) Vibration:**
 - 4.4.1) Operating: IEC 721-3-3 3M3**
5~9Hz, A=1.5mm
9~200Hz, Acceleration 5m/s²
 - 4.4.2) Transportation: IEC 721-3-2 2M2**
5~9Hz, A=3.5mm
9~200Hz, Acceleration=5m/s²
200~500Hz, Acceleration=15m/s²

3 Axes, 10 cycles per axis.
(No permanent damage may occur during testing.
The product has to restore to its original situation after power off/on.)
- 4.5) Dropping (packed):**
1 corner, 3 edges, and 6 surfaces

5) SAFETY REQUIREMENTS

5.1) Safety Or EMC Requirement:

5.1.1) Model with US Plug

FCC
UL/CUL

Meet CEC requirements which go into effect January 1, 2007 (Energy Star)

5.2) EMI Requirement:

FCC Class B
VCCI Class B
CISPR 22 Class B

5.3) Dielectric Strength (Hi-Pot):

Primary to secondary, 3000Vac/10mA/1Seconds
Or 4242Vdc/10mA/1Seconds

6) MECHANICAL REQUIREMENT:

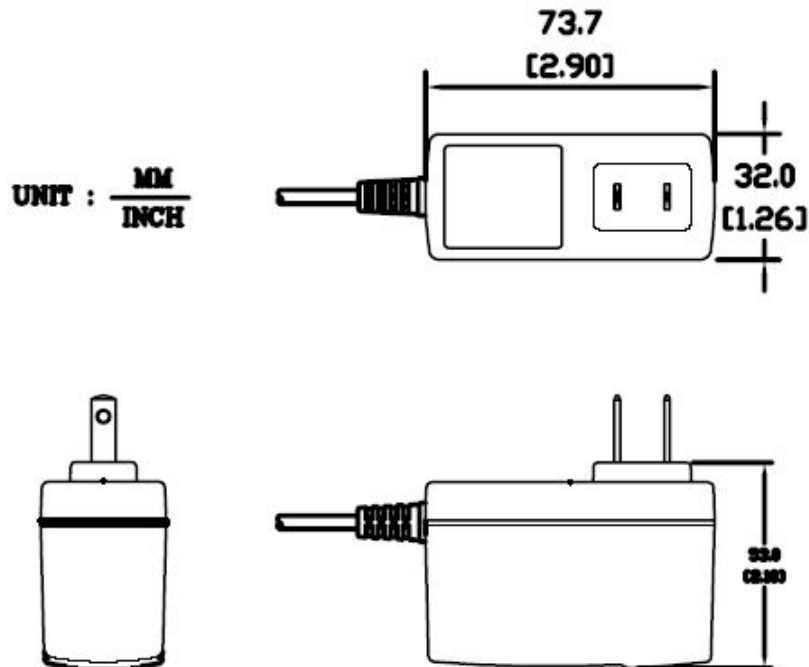
6.1) Enclosure:

The adapter size L: 73.7×W:32.0 ×H:53.0 mm

6.2) Input Connector:

Two pin wall mount input plug

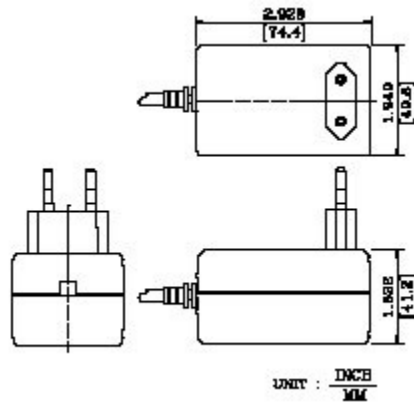
6.3) Outline Drawing (U.S.):



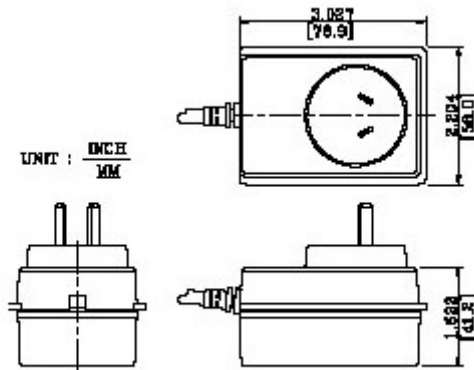
Available Plugs:

WTA available in U.S., Europe, U.K., and Australia.

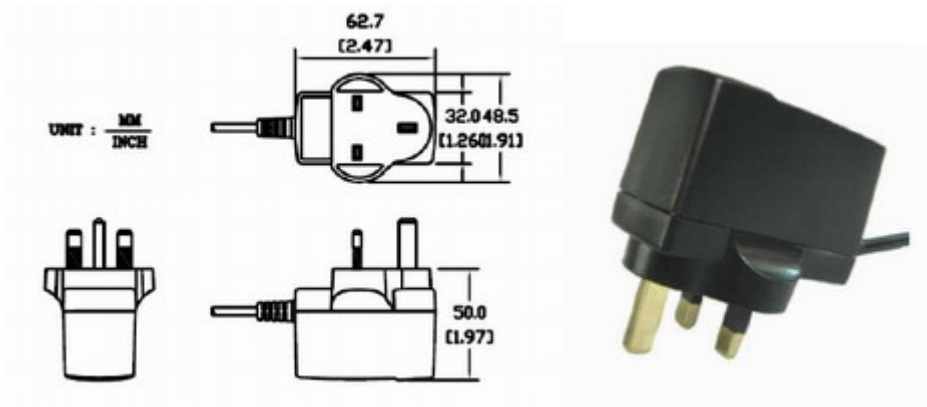
Europe:



Australia:



United Kingdom:



Mouser Electronics

Authorized Distributor

Click to View Pricing, Inventory, Delivery & Lifecycle Information:

[ETA-USA:](#)

[WTA20-05SX-Y-C2](#) [WTA20-09SX-Y-C2](#) [WTA24-12SX-Y-C2](#) [WTA24-24SX-Y-C2](#) [WTA20-12SX-Y-C2](#)