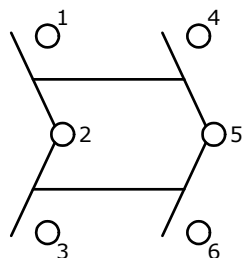
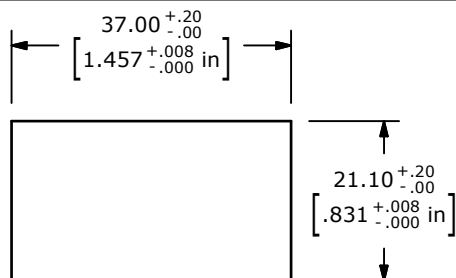


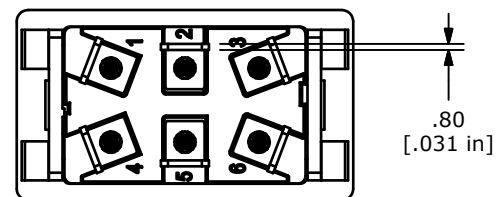
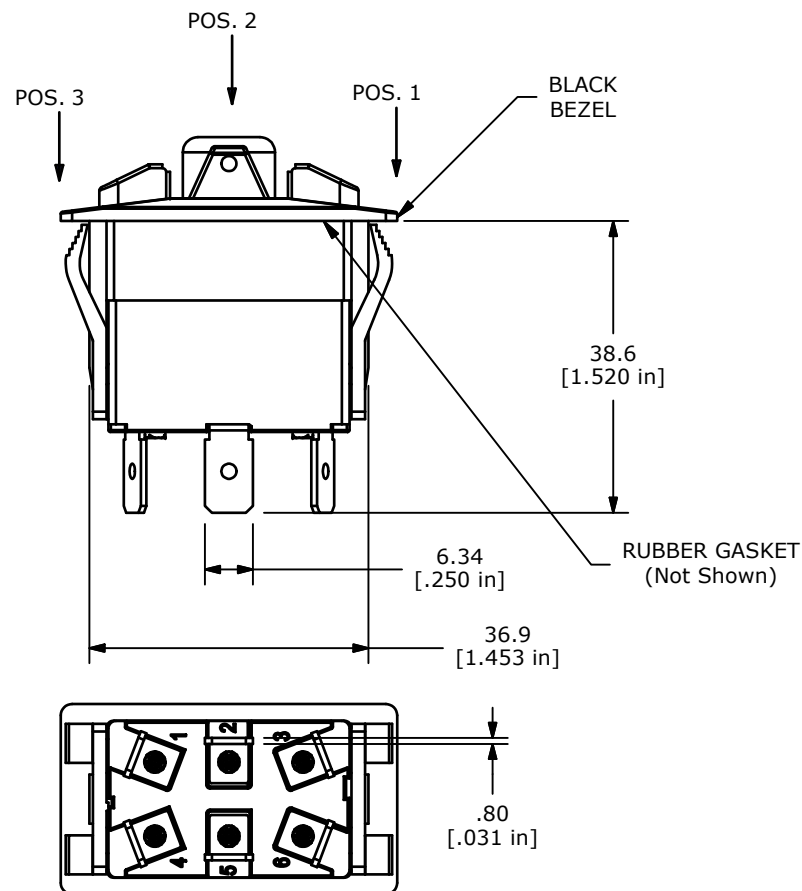
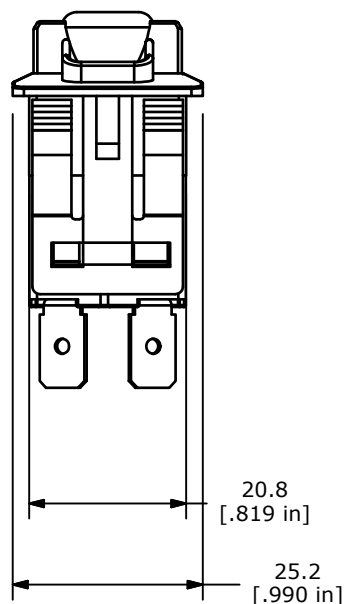
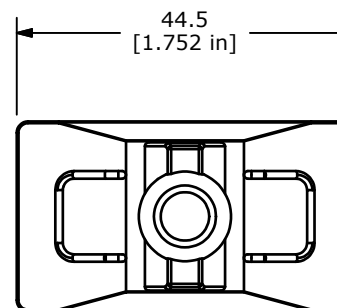
▲ SWITCH FUNCTION		
POS. 1	POS. 2	POS. 3
(ON)	OFF	(ON)
1-2; 4-5	OFF	2-3; 5-6



CIRCUIT: DPDT
 (ON) - OFF - (ON)
 () = MOMENTARY FUNCTION



RECOMMENDED
 PANEL CUT-OUT



- NOTES:
1. ALL DIMENSIONS IN MM [INCH]
 2. GENERAL TOLERANCE: X.X=±0.4
X.XX=±0.25
 3. TERM. NOS. FOR REF. ONLY
 4. RATING: 20(8)A @125/250VAC 50/60 Hz, μT55
UL LISTED
 5. ELECTRICAL LIFE: 10,000 CYCLES
 6. MECHANICAL LIFE: 30,000 CYCLES
 7. CONTACT RESISTANCE: <20 MILLI-OHMS INITIAL
 8. DIELECTRIC STRENGTH: >1,500V AC 1MIN
 9. INSULATION RESISTANCE: >100 MOHMS @ 500VDC
 10. OPERATING TEMP: 0°C to 55°C
 11. LED VOLTAGE: NONE
 12. ▲ DENOTES CRITICAL PARAMETER.
 13. 2002/95/EC (ROHS) COMPLIANT



B	21355	Drawing Cleanup	1/15/14	rc
A	21250	New Release	8/14/13	rc
REV	PCR NO	DESCRIPTION	DATE	BY

TITLE R726FXX-SXXXNXBNNX				
SCALE 1:1	DATE 8/14/2013	DR rc	DWG C720007	REV B

THE INFORMATION CONTAINED IN THIS DOCUMENT IS PROPRIETARY TO E-SWITCH AND IS NOT TO BE COPIED OR TRANSFERRED

Mouser Electronics

Authorized Distributor

Click to View Pricing, Inventory, Delivery & Lifecycle Information:

[E-Switch:](#)

[R726FXX-SXXXNXBNNX](#)