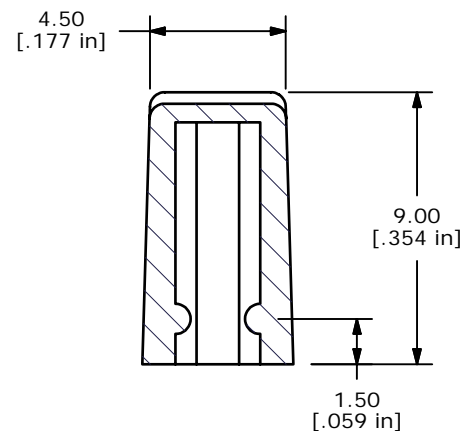
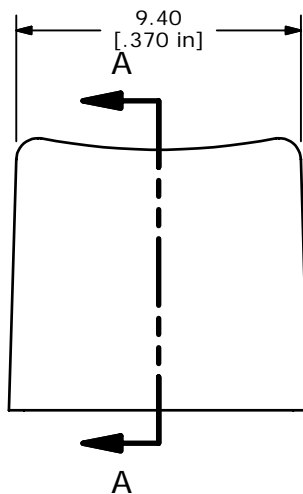
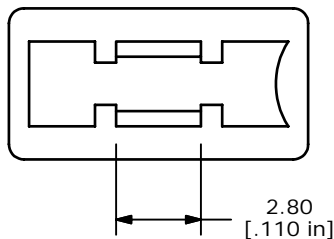


ISOMTRIC



SECTION A-A
SCALE 4 : 1



- NOTES:
1. ALL DIMENSIONS IN MM [INCH]
 2. GENERAL TOLERANCE: X.XX=±0.15
 - ▲ 3. MATERIAL: ABS, UL94V0
 - ▲ 4. COLOR: BLACK, PANTONE 3C
 5. ▲ DENOTES CRITICAL PARAMETER.

C	15250	REVISED DESCRIPTION	9/8/05	PH
B	14913	CHANGED NOTE	5/11/05	JB
A	14823	RELEASED FOR PRODUCTION	4/13/05	AR
REV	PCR NO	DESCRIPTION	DATE	BY



TITLE 1CBLK				
SCALE 4:1	DATE 4/13/2005	DR AR	DWG Q800400	REV C

THE INFORMATION CONTAINED IN THIS DOCUMENT IS PROPRIETARY TO E-SWITCH AND IS NOT TO BE COPIED OR TRANSFERRED

Mouser Electronics

Authorized Distributor

Click to View Pricing, Inventory, Delivery & Lifecycle Information:

[E-Switch:](#)

[1CBLK](#)