

SERIES P197 SWITCHES

POWER PUSHBUTTON SWITCHES



E-SWITCH®



FEATURES & BENEFITS

- ▶ Power pushbutton rated up to 10amps
- ▶ Latching & momentary functions
- ▶ Panel & PC board mount options

APPLICATIONS/MARKETS

- ▶ Telecommunications
- ▶ Networking
- ▶ Computers/servers
- ▶ Performance audio
- ▶ Instrumentation
- ▶ Low power on/off designs
- ▶ External hard drives and modems

SPECIFICATIONS

Contact Rating: 10A @ 125 VAC - UL, CUL
 5A @ 250 VAC - UL, CUL, VDE
 TV-5 @ 125 VAC - UL, CUL
 In Rush, 80A @ 250 VAC - VDE

Life Expectancy: 10,000 cycles

Contact Resistance: 100mΩ max. typical; initial @ 2-4 VDC

Insulation Resistance: 1,000M Ω min.

Dielectric Strength: > 1,500 volts 1 minute
 > 3,000 volts between poles

Actuation Force: 300 ±100 gram force

Operating Temperature: -20°C to +85°C

MATERIALS

Housing: 6/6 Nylon

Actuator: Acetal

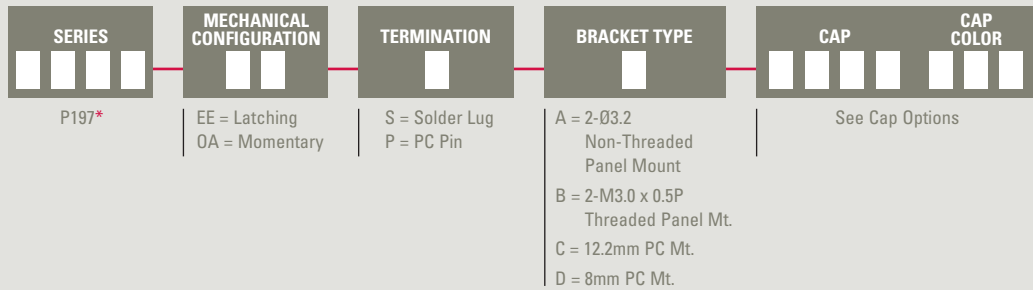
Bracket: Tin plated steel

Contacts: Silver plated copper alloy

Terminals: Silver plated copper alloy



HOW TO ORDER

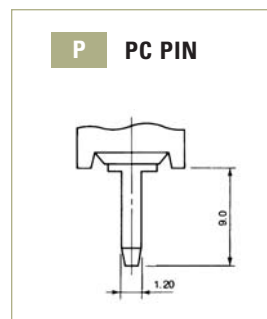
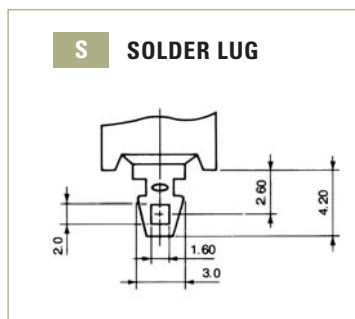


Example Ordering Number
 P197-EE-P-B-TA12-BLU

*Note: Also available in 2 pole version P297.
 Contact E-Switch for more information.

Specifications subject to change without notice.

TERMINATION OPTIONS



Mouser Electronics

Authorized Distributor

Click to View Pricing, Inventory, Delivery & Lifecycle Information:

[E-Switch:](#)

[P197EESB](#) [P197OASA](#) [P197EEPC](#) [P197EESA](#)