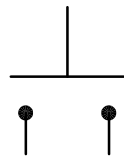
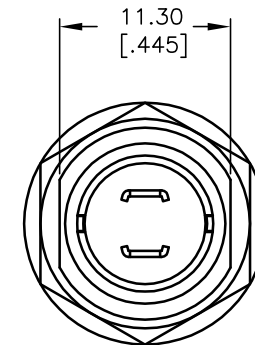
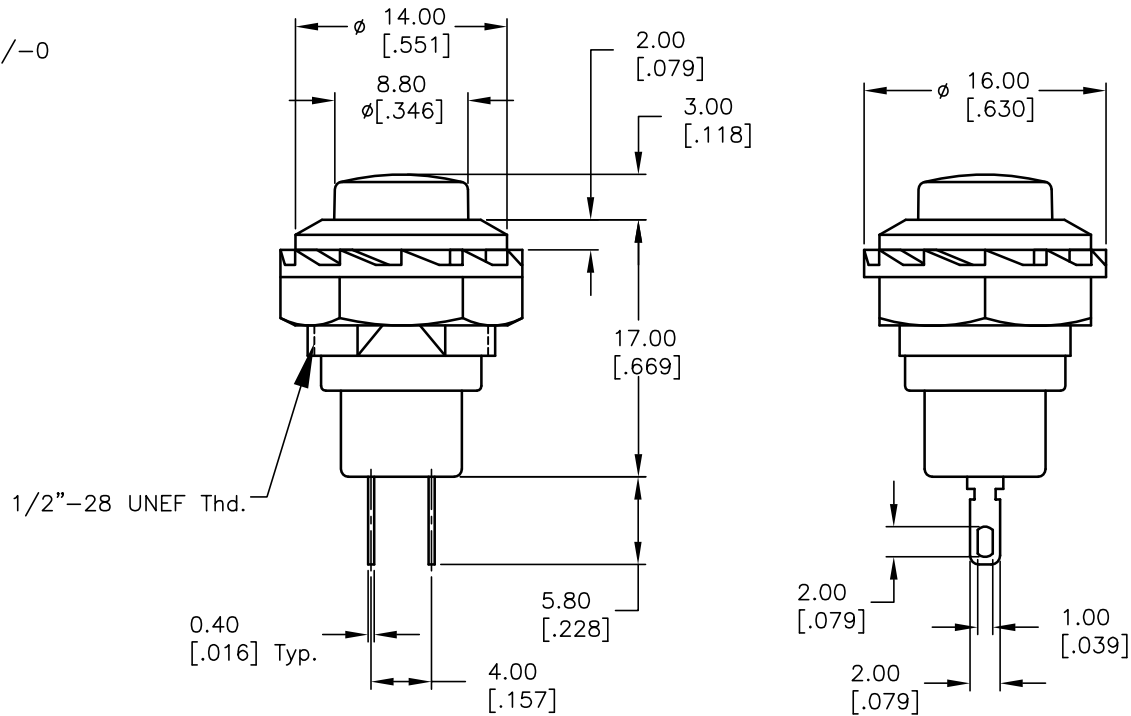


RECOMMEND PANEL MOUNTING



CIRCUIT: 2P; SPST
 CONTACT CONFIGURATION
 OFF (ON)



NOTES:

1. ALL DIMENSIONS IN MM [INCH]
2. GENERAL TOLERANCE: 0.0=±0.4
 0.00=±0.25
3. TERM. NOS. FOR REF. ONLY
4. RATING: 3A 125V, 1.5A 250V AC
5. CONTACT RESISTANCE: 50m ohm max.
6. INSULATION RESISTANCE: DC 500V 100M ohm min.
7. DIELECTRIC STRENGTHS: AC 1000V 1 minute

E-SWITCH®

A	10522	RELEASED FOR PRODUCTION		
REV.	ECN No.	DESCRIPTION	DATE	CHKD

TITLE				
RP3502A-RED				
SCALE	DATE	DR	DWG	REV
2:1	2/8/00	MM	F030012	A

THE INFORMATION CONTAINED IN THIS DOCUMENT
 IS PROPRIETARY TO E-SWITCH AND IS
 NOT TO BE COPIED OR TRANSFERRED

Mouser Electronics

Authorized Distributor

Click to View Pricing, Inventory, Delivery & Lifecycle Information:

[E-Switch:](#)

[RP3502ARED](#)