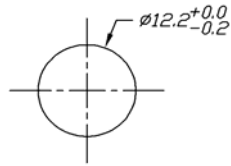
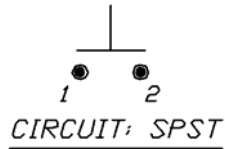


PS1040 PANEL MOUNT PUSH BUTTON SWITCHES



RECOMMEND PANEL LAYOUT



MECHANICAL SPECIFICATIONS

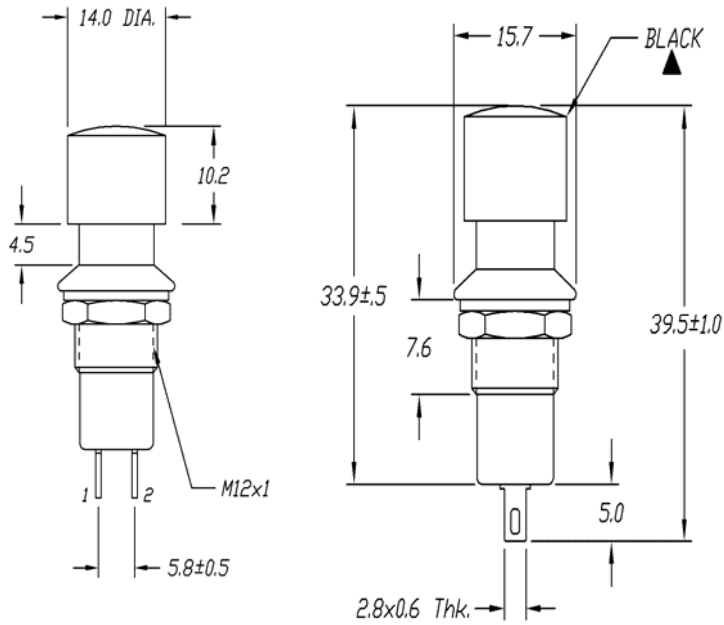
Mechanical Life: 6,000 Cycles
Electrical Life: 6,000 cycles

ELECTRICAL SPECIFICATIONS

Contact Rating: 3A@125VAC
1.5A@250VAC
Contact Resistance (Initial Max): 50m Ohms
Insulation Resistance: 500VDC 100M Ohms Min.
Dielectric Strength: 1000VAC 1 minute

ENVIRONMENTAL SPECIFICATIONS

Operating/Storage Temp: -20°C to 65°C



How To Order

SERIES

PS1040

CIRCUIT

A=OFF-(ON)
B=OFF-ON

(-)=Momentary

CAP COLOR

BLK=BLACK
RED=RED

Mouser Electronics

Authorized Distributor

Click to View Pricing, Inventory, Delivery & Lifecycle Information:

[E-Switch:](#)

[PS1040A-RED](#) [PS1040A-BLK](#) [PS1040BBLK](#) [PS1040BRED](#) [PS1040ARED](#) [PS1040ABLK](#)