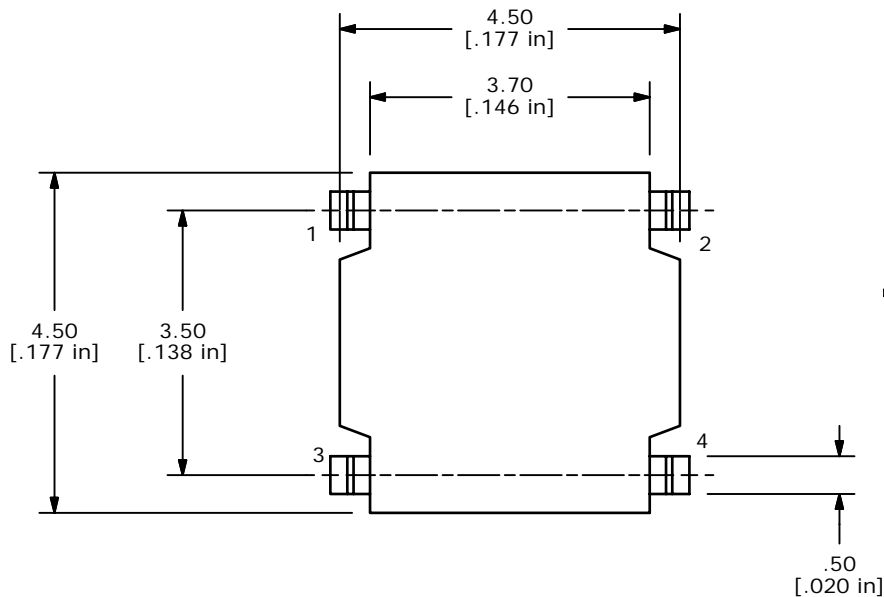
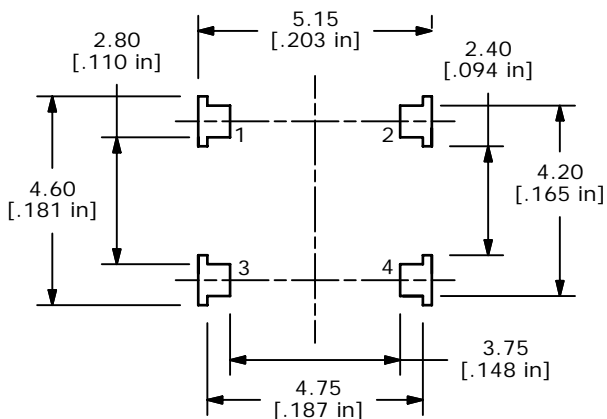


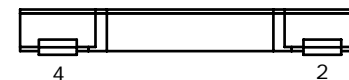
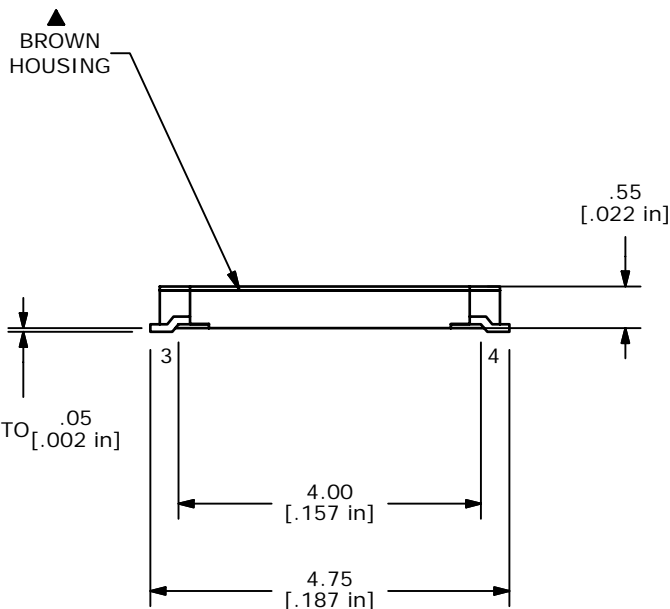
CIRCUIT: SPST



ISOMETRIC



P.C. MOUNTING




NOTE:

1. ALL DIMENSIONS IN MM [INCH]
2. GENERAL TOLERANCE: X.X=±0.4
X.XX=±0.25
3. TERMINAL NUMBERS FOR REF ONLY
4. RATING: 15VDC @ 50mA
5. ELECTRICAL LIFE: 200,000 CYCLES
6. CONTACT RESISTANCE: 200m OHMS MAX.
- ▲ 7. OPERATION FORCE: 250 +/-50gf
8. TRAVEL: 0.2 +/-0.1mm
9. ▲ DENOTES CRITICAL PARAMETER.
10. 2002/95/EC (ROHS) COMPLIANT
11. PACKAGING: TAPE & REEL, 5000 PIECES PER REEL.



B	19521	RATING: was 20mA	12/13/10	BGL
A	xxxxx	New Product Release	1/29/08	rc
REV	PCR NO	DESCRIPTION	DATE	BY

THE INFORMATION CONTAINED IN THIS DOCUMENT IS PROPRIETARY TO E-SWITCH AND IS NOT TO BE COPIED OR TRANSFERRED



TITLE TL3315NF250Q				
SCALE 10:1	DATE 1/29/2008	DR RC	DWG P010338	REV B

Mouser Electronics

Authorized Distributor

Click to View Pricing, Inventory, Delivery & Lifecycle Information:

[E-Switch:](#)

[TL3315NF250Q](#)