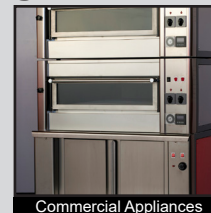


CS SERIES ANTI-VANDAL SWITCH

ANTI-VANDAL SWITCHES
 DETECTOR SWITCHES
 DIP SWITCHES
 KEYLOCK SWITCHES
 NAVIGATION SWITCHES
 PUSHBUTTON SWITCHES
 ROCKER SWITCHES
 ROTARY SWITCHES
 SLIDE SWITCHES
 SNAP ACTION SWITCHES
 TACTILE SWITCHES
 TOGGLE SWITCHES
 CAP OPTIONS



APPLICATIONS / MARKETS



RoHS

SPECIFICATIONS

Contact Arrangement: SPST
Contact Rating: 1A @ 5-24VDC
Contact Resistance: 1Ω Max.
Electrical Life: 50,000,000 Cycles
Operating Temperature: -20°C to 65°C
Storage Temperature: -25°C to 65°C
Panel Thickness: 10mm Max.
Mounting Nut Torque: 3.0Nm

FEATURES & BENEFITS

- 19mm or 22mm panel cutouts
- Latching or Momentary Function options
- Ring or Ring/Power Symbol lens options
- RGB color option
- Capacitive switching technology (Touch Sensor)

PART NUMBER CONFIGURATOR

Series



CS

Size Option



4 - 19mm
7 - 22mm

Function



L - Latching
M - Momentary

Material Finish



2 - Aluminum, Clear Anodized

Button Style



F - Flat

Lens Style



R - Ring Illumination
P - Power Symbol and Ring Illuminated

NOTES:

*(ON) Denotes function is momentary

Specifications subject to change without notice 1.21.2019



E-SWITCH®

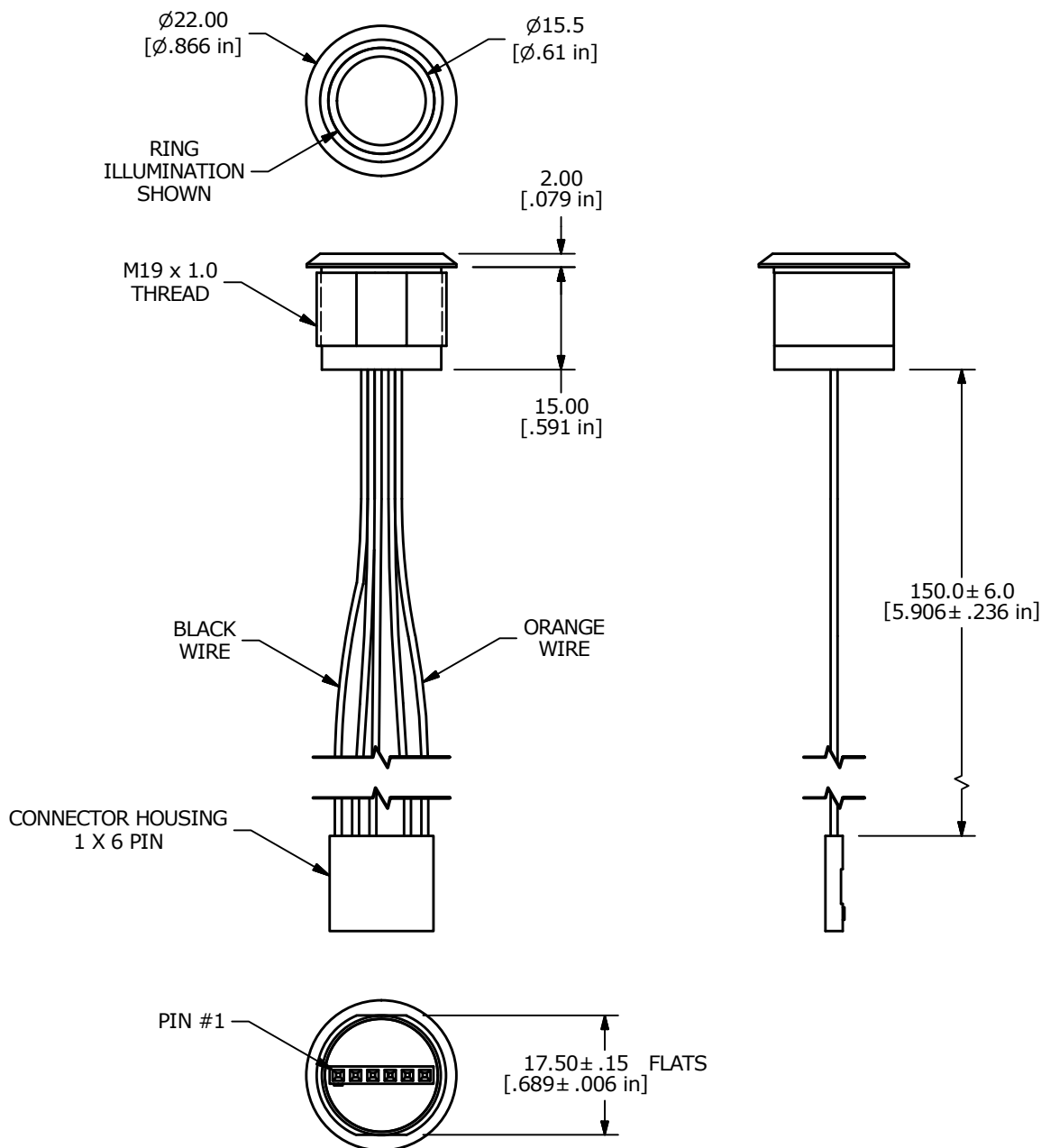
www.e-switch.com

800.867.2717

1

CS SERIES ANTI-VANDAL SWITCH

BODY DIMENSIONS 19MM



ANTI-VANDAL SWITCHES

DETECTOR SWITCHES

DIP SWITCHES

KEYLOCK SWITCHES

NAVIGATION SWITCHES

PUSHBUTTON SWITCHES

ROCKER SWITCHES

ROTARY SWITCHES

SLIDE SWITCHES

SNAP ACTION SWITCHES

TACTILE SWITCHES

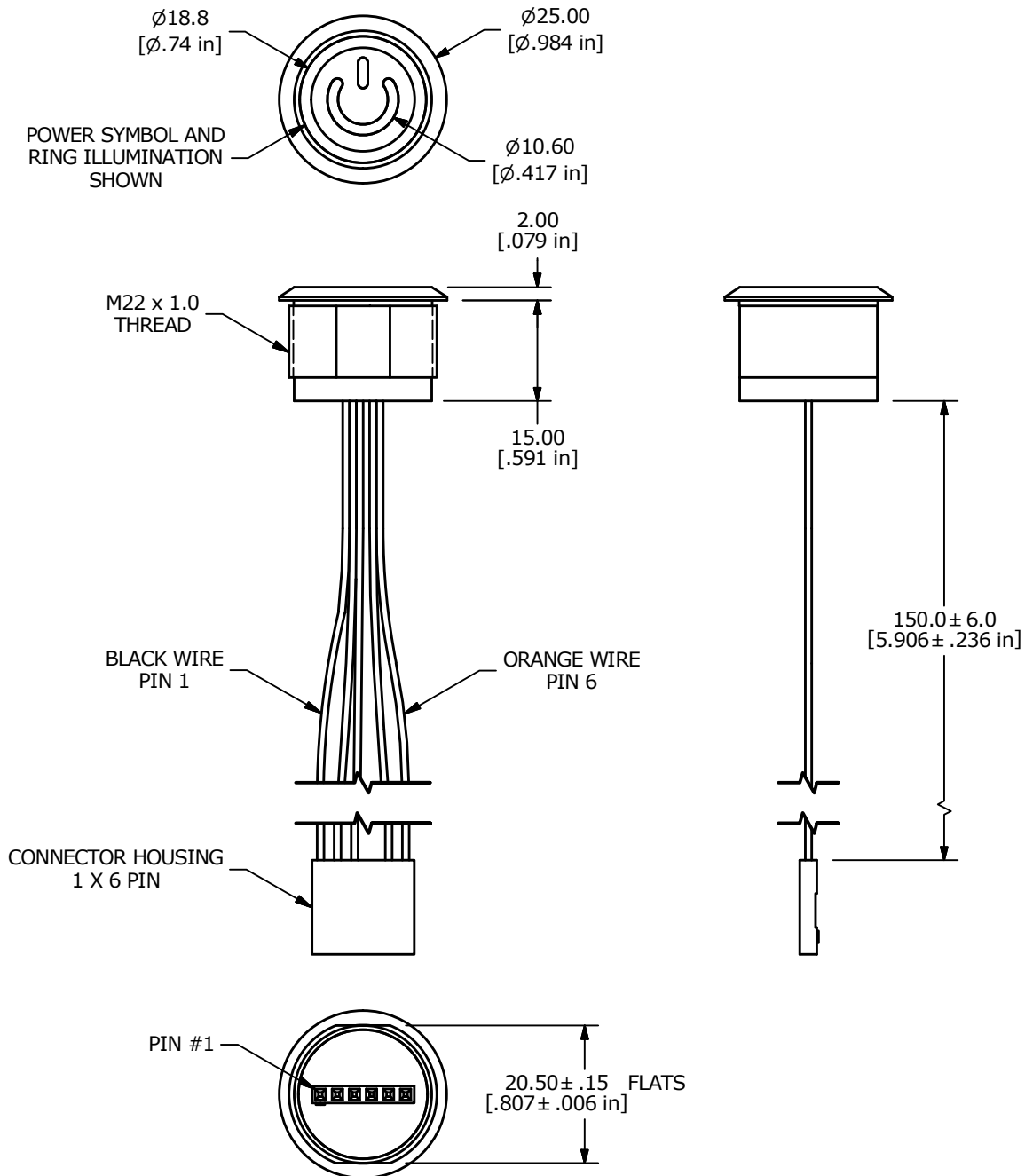
TOGGLE SWITCHES

CAP OPTIONS



CS SERIES ANTI-VANDAL SWITCH

BODY DIMENSIONS 22MM



CS SERIES ANTI-VANDAL SWITCH

ILLUMINATION STYLES

ANTI-VANDAL SWITCHES

DETECTOR SWITCHES

DIP SWITCHES

KEYLOCK SWITCHES

NAVIGATION SWITCHES

PUSHBUTTON SWITCHES

ROCKER SWITCHES

ROTARY SWITCHES

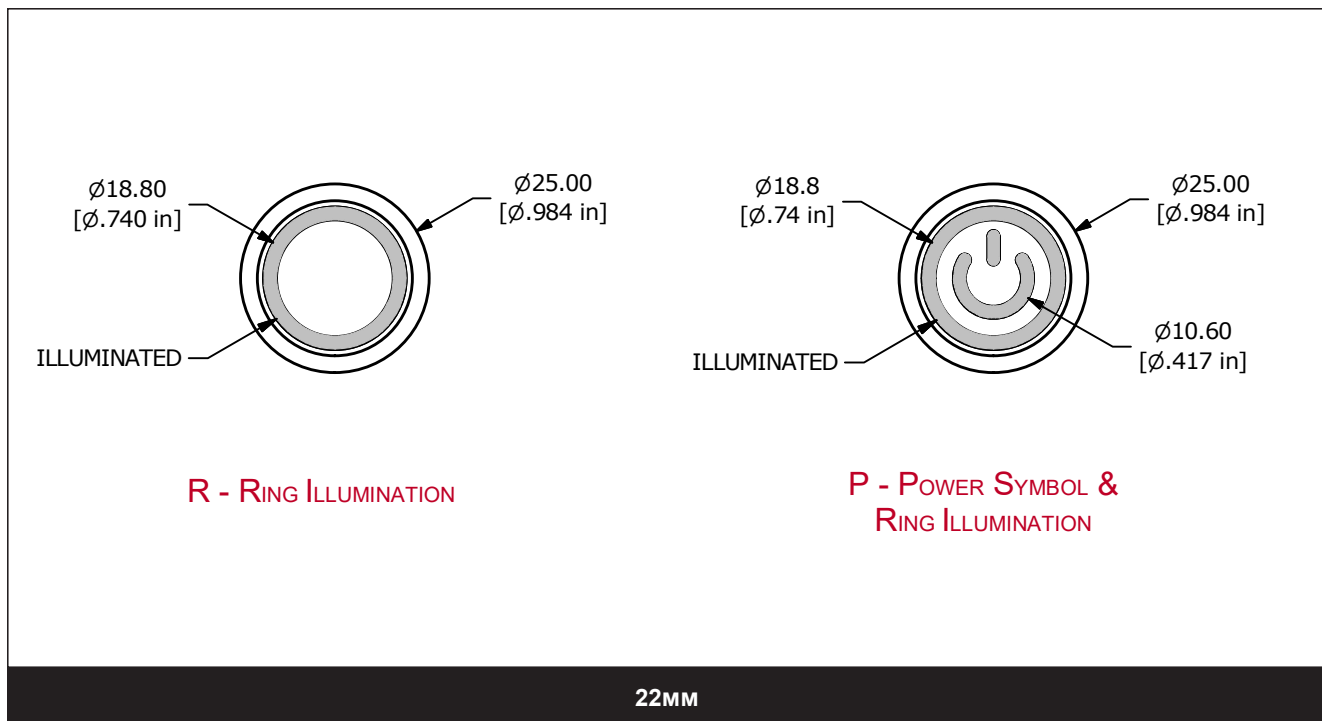
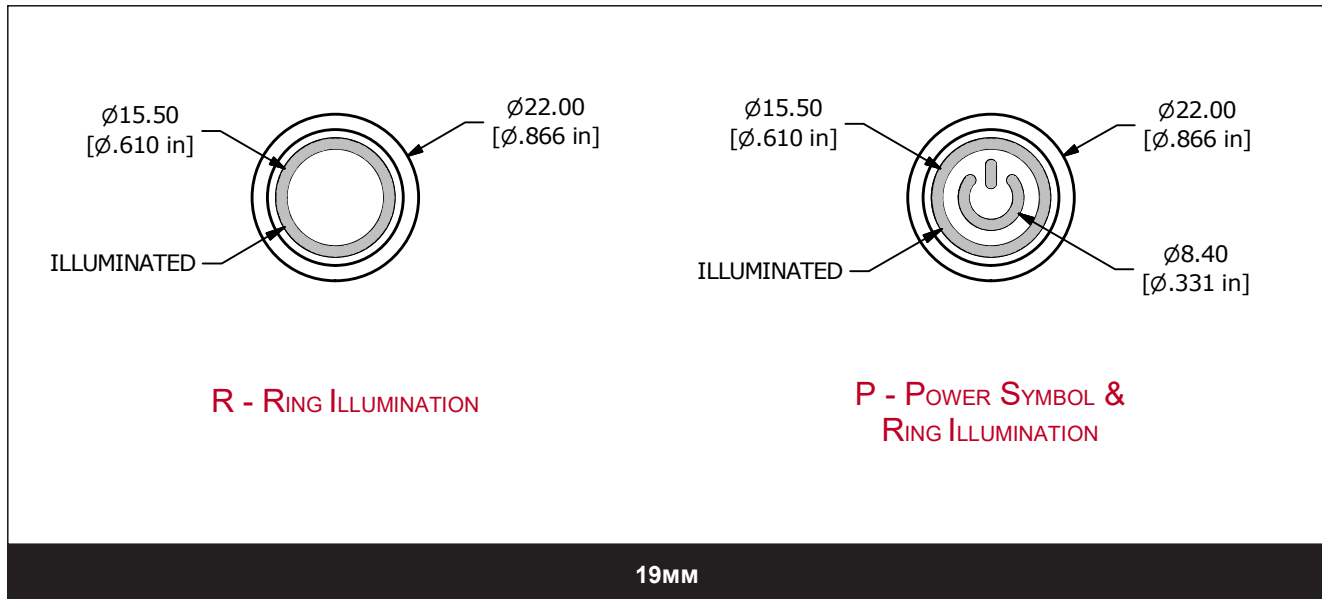
SLIDE SWITCHES

SNAP ACTION SWITCHES

TACTILE SWITCHES

TOGGLE SWITCHES

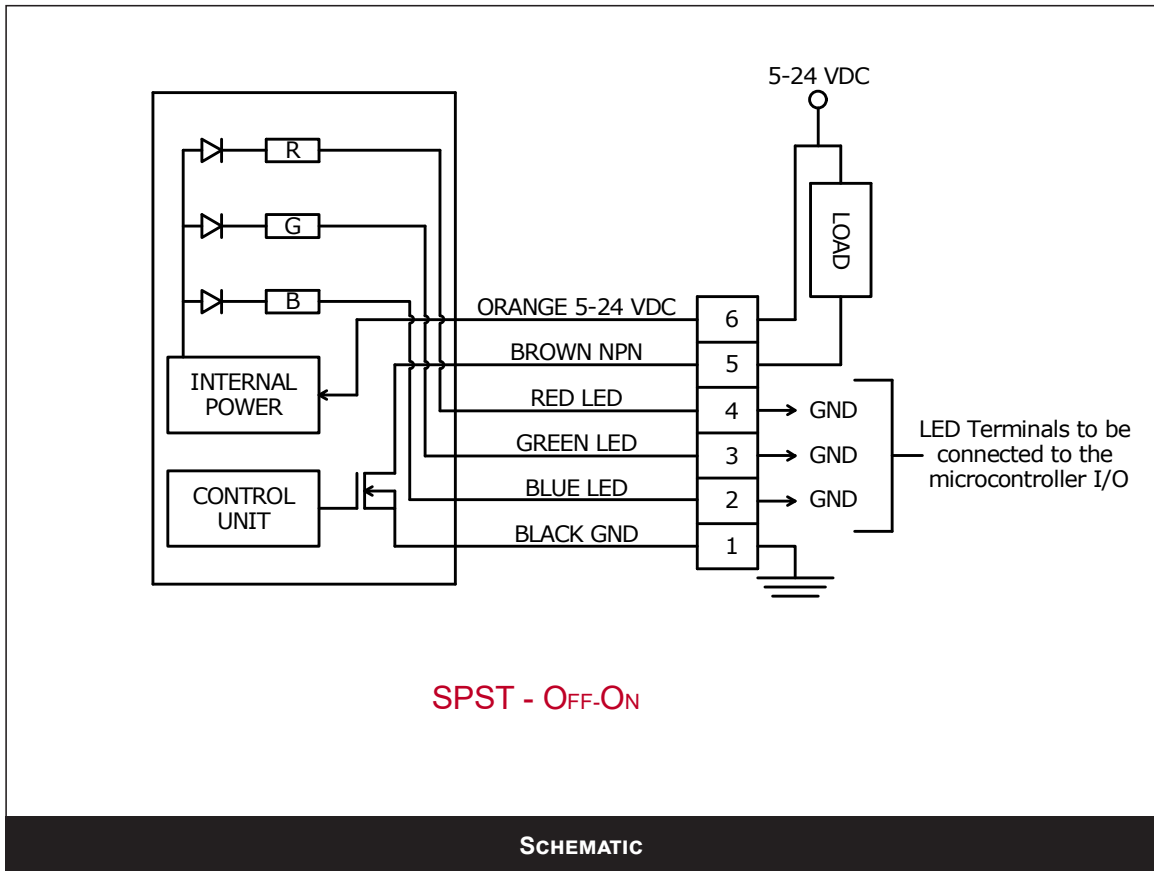
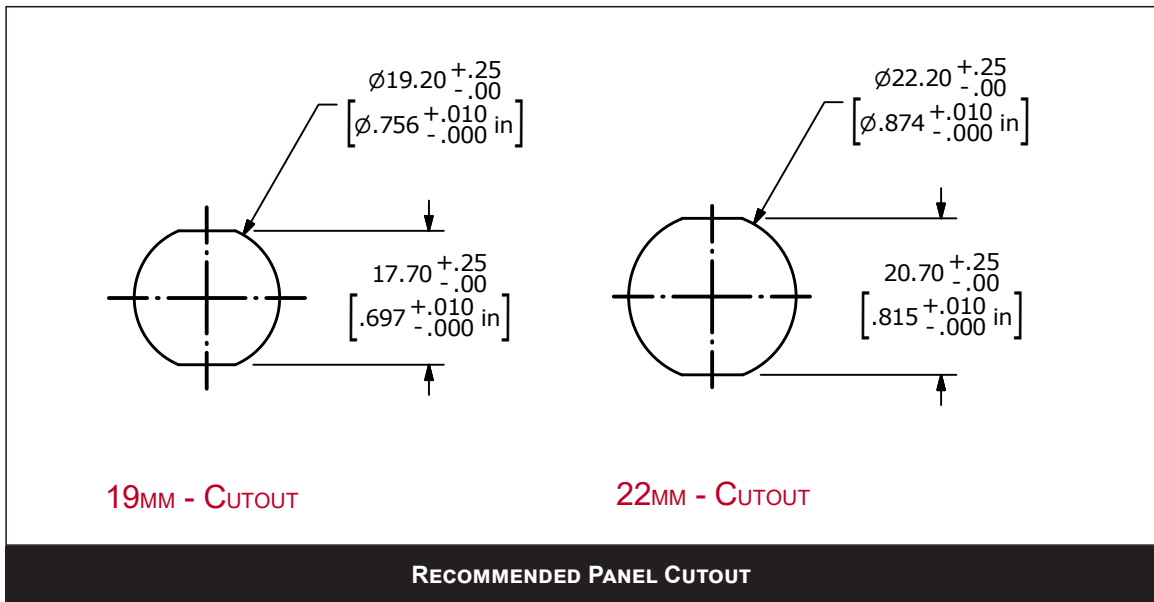
CAP OPTIONS



CS SERIES ANTI-VANDAL SWITCH

PANEL CUTOUT & SCHEMATIC

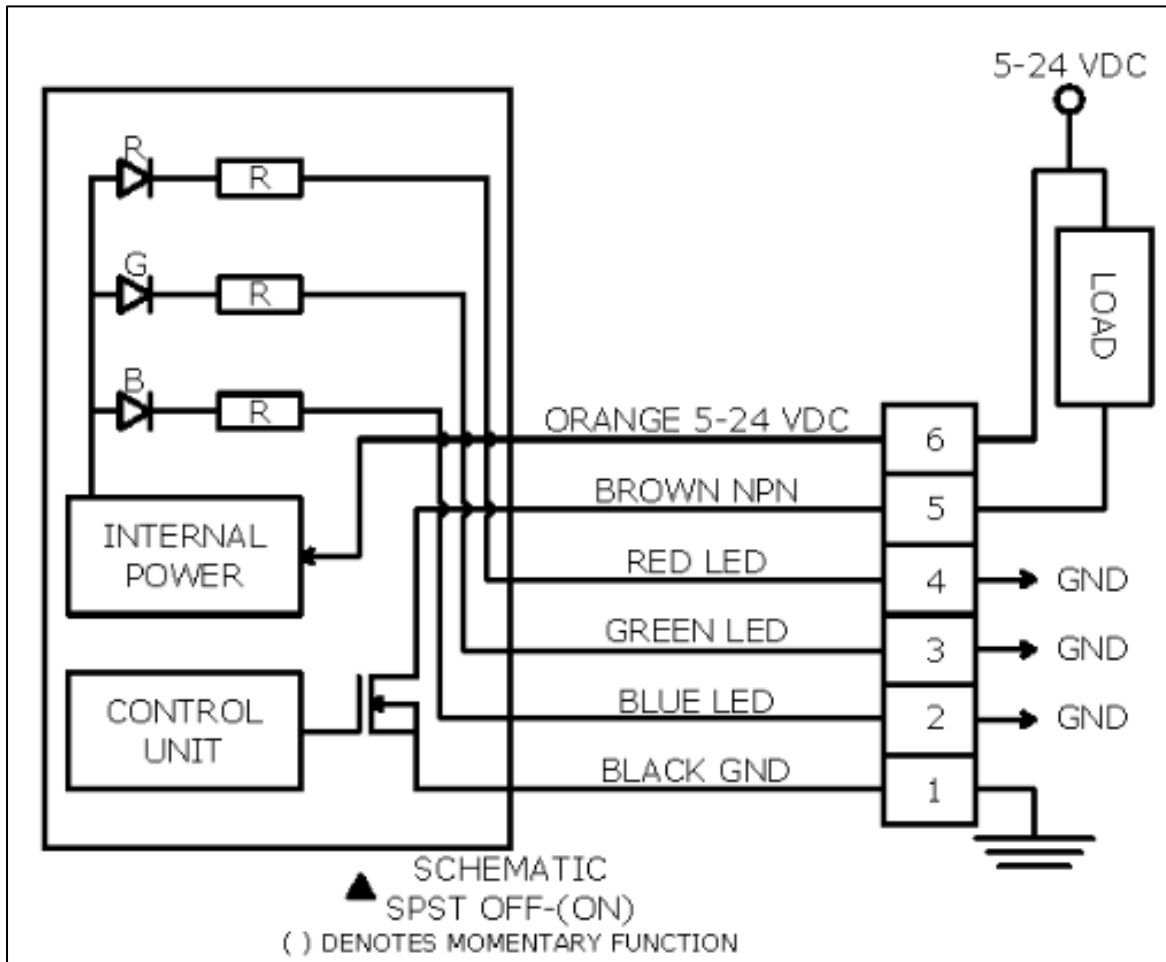
- ANTI-VANDAL SWITCHES
- DETECTOR SWITCHES
- DIP SWITCHES
- KEYLOCK SWITCHES
- NAVIGATION SWITCHES
- PUSHBUTTON SWITCHES
- ROCKER SWITCHES
- ROTARY SWITCHES
- SLIDE SWITCHES
- SNAP ACTION SWITCHES
- TACTILE SWITCHES
- TOGGLE SWITCHES
- CAP OPTIONS



CS SERIES ANTI-VANDAL SWITCH

EXAMPLE USE CASE

- Desired Outcome:
 - On State: Green LED Illuminated
 - Off State: Red LED Illuminated
- Schematic:



- Wire power (5-24VDC @ 1A) to pin 6 and ground to pin 1
- Connect NPN pin 5 of CS4M22R to an input pin of a pull-down integrated circuit (IC). This will allow the desired LED to be illuminated during the ON or OFF states
 - If pin 5 is outputting voltage, then we will have the green LED illuminated to show a running state
 - If pin 5 is not outputting voltage, then we will have the red LED illuminated to show a stopped state
- Connect red LED pin 4 of CS4M22R to an output pin of a desired IC that is also connected to NPN pin 5
- Connect green LED pin 3 of CS4M22R to an output pin of a desired IC that is also connected to NPN pin 5
- Send a high signal from the IC to the red LED when the green LED is active and pulling low. This will prevent the red from illuminating
- Send a high signal from the IC to the green LED when the red LED is active and pulling low. This will prevent the green LED from illuminating
- If power pin 6 and ground pin 1 have been wired to the switch each LED can be grounded for constant illumination if desired. This illumination will ignore the state change of the switch
- Remember to use any needed resistors to avoid damaging components



Mouser Electronics

Authorized Distributor

Click to View Pricing, Inventory, Delivery & Lifecycle Information:

[E-Switch:](#)

[CS4L2FP](#) [CS4L2FR](#) [CS4M2FP](#) [CS4M2FR](#) [CS7L2FP](#) [CS7L2FR](#) [CS7M2FP](#) [CS7M2FR](#)