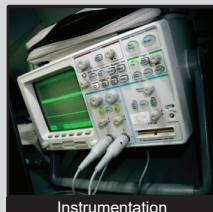
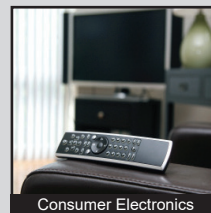
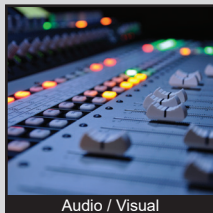


# TL3145 SERIES TACT SWITCH

ANTI-VANDAL SWITCHES  
DETECTOR SWITCHES  
DIP SWITCHES  
KEYLOCK SWITCHES  
NAVIGATION SWITCHES  
PUSHBUTTON SWITCHES  
ROCKER SWITCHES  
ROTARY SWITCHES  
SLIDE SWITCHES  
SNAP ACTION SWITCHES  
TACTILE SWITCHES  
TOGGLE SWITCHES  
CAP OPTIONS



## APPLICATIONS / MARKETS



**RoHS**

## SPECIFICATIONS

**Electrical Rating:** 50mA, 12VDC  
**Electrical Life:** up to 3,000,000 Cycles  
**Contact Resistance:** 100mΩ Max.  
**Insulation Resistance:** 100MΩ Min. at 500VDC  
**Dielectric Strength:** 250VAC for 1 Minute  
**Operating Temperature:** -40°C to 85°C  
**Operating Force:** 180gf ± 50gf (3,000,000 cycles)  
                           260gf ± 50gf (500,000 cycles)  
                           350gf ± 80gf (500,000 cycles)  
**Travel:** 0.15mm  
**Dust/Moisture Protection:** IP67  
**Function:** SPST, Off-On

## FEATURES & BENEFITS

- Up to 3,000,000 cycle life expectancy
- Tape and Reel packaging
- IP67 ratings
- Multiple force options

## PART NUMBER CONFIGURATOR

Series	Circuit	Actuator	Force	Plating	Termination
TL	3145	A - 3.50 B - 5.20	F180 - 180 gf - White F260 - 260 gf - Red F350 - 350 gf - Orange	Q - Silver	J - J Lead

*Specifications subject to change without notice 6.30.2020*



**E-SWITCH®**

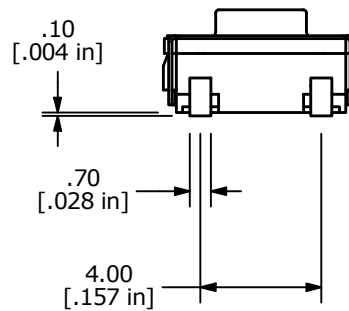
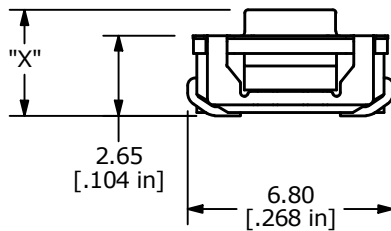
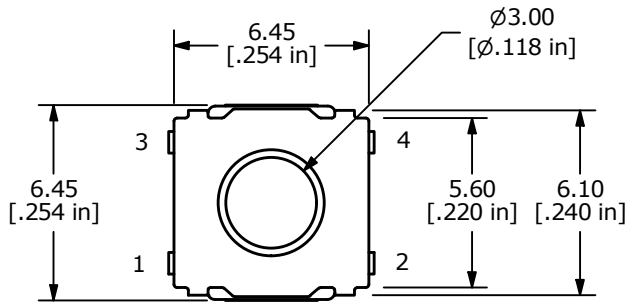
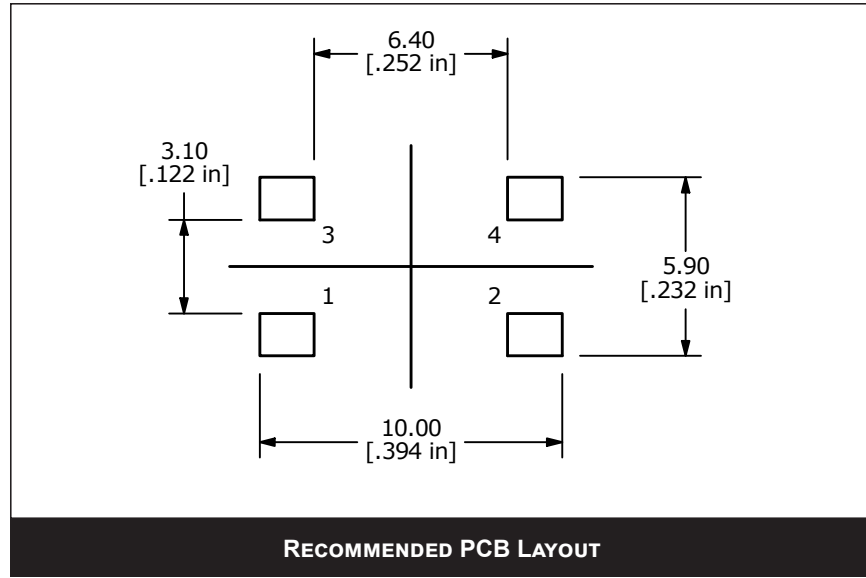
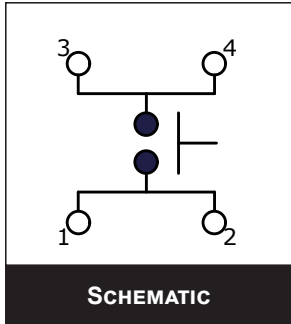
www.e-switch.com

800.867.2717

1

# TL3145 SERIES TACT SWITCH

## BODY DIMENSIONS



# Mouser Electronics

Authorized Distributor

Click to View Pricing, Inventory, Delivery & Lifecycle Information:

[E-Switch:](#)

[TL3145AF180QJ](#) [TL3145AF260QJ](#) [TL3145AF350QJ](#) [TL3145BF180QJ](#) [TL3145BF260QJ](#) [TL3145BF350QJ](#)