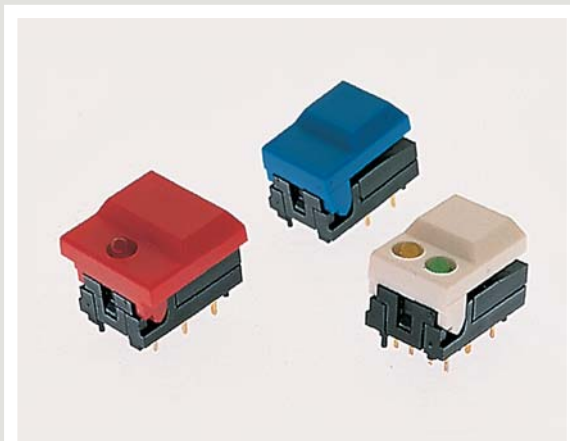




SERIES 5500 SWITCHES

PUSHBUTTON SWITCHES



FEATURES & BENEFITS

- ▶ Single or dual LED options
- ▶ Hinged pushbutton design
- ▶ High operating life

APPLICATIONS/MARKETS

- ▶ Telecommunications
- ▶ Networking
- ▶ Computers/servers
- ▶ Performance audio
- ▶ Instrumentation
- ▶ Low power on/off designs
- ▶ External hard drives and modems

SPECIFICATIONS

Contact Ratings:	300mA @ 12 VDC
Life Expectancy:	500,000 cycles typical
Contact Resistance:	50mΩ max. typical @ 2-4 VDC, 100mA
Insulation Resistance:	50 MΩ min.
Dielectric Strength:	>1,000 V rms at sea level
Actuation Force:	255 grams max.
Operating Temperature:	-25°C to +65°C

MATERIALS

Housing:	Nylon
Cap:	ABS
Contacts:	Gold over nickel over copper alloy
Terminals:	Gold over nickel over copper alloy

HOW TO ORDER

SERIES 55	CAP STYLE 01 = Small 11 = Large	MECHANICAL CONFIGURATION M M = Momentary	CAP COLOR BLK = Black GRY = Grey YEL = Yellow BLU = Blue RED = Red ORG = Orange GRN = Green WHT = White	1st LED COLOR (1-LED cap styles only) X = No LED RED = Red LED GRN = Green LED YEL = Yellow LED	2nd LED COLOR (2-LED cap styles only) RED = Red LED GRN = Green LED YEL = Yellow LED
----------------------------	--	--	--	---	---

Example Ordering Number

55-11-M-BLU
55-01-M-WHT-RED, GRN

Specifications subject to change without notice.

TACT SWITCHES

NAVIGATION SWITCHES

PUSHBUTTON SWITCHES

TOGGLE SWITCHES

ROCKER SWITCHES

SLIDE SWITCHES

SNAP-ACTION SWITCHES

DIP SWITCHES

KEYLOCK SWITCHES

ROTARY SWITCHES

DETECTOR SWITCHES

CAP OPTIONS

SERIES 5500 SWITCHES

PUSHBUTTON SWITCHES

TACT SWITCHES

NAVIGATION SWITCHES

PUSHBUTTON SWITCHES

TOGGLE SWITCHES

ROCKER SWITCHES

SLIDE SWITCHES

SNAP-ACTION SWITCHES

DIP SWITCHES

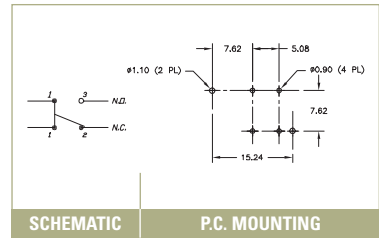
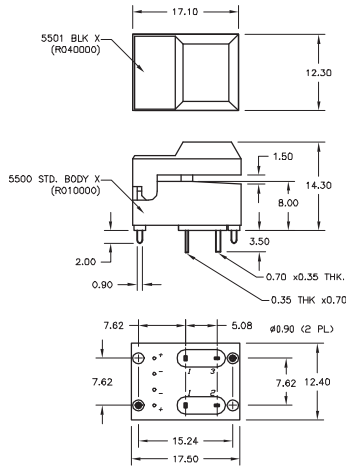
KEYLOCK SWITCHES

ROTARY SWITCHES

DETECTOR SWITCHES

CAP OPTIONS

5501

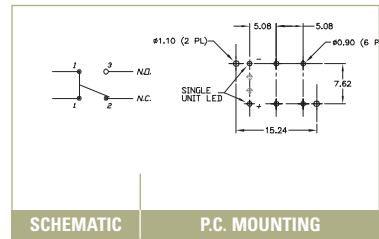
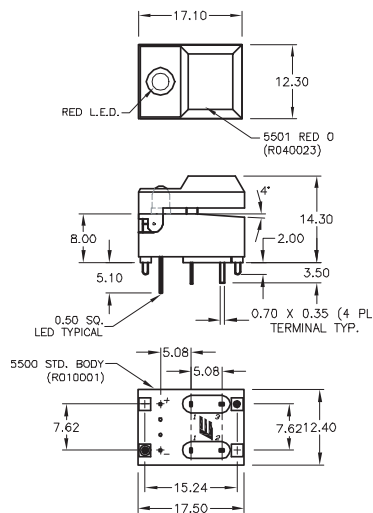


SCHEMATIC

P.C. MOUNTING

5501

1 LEDS

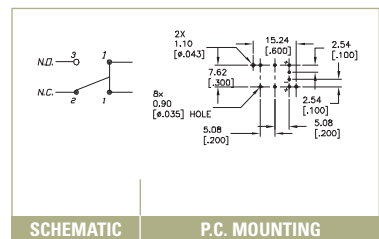
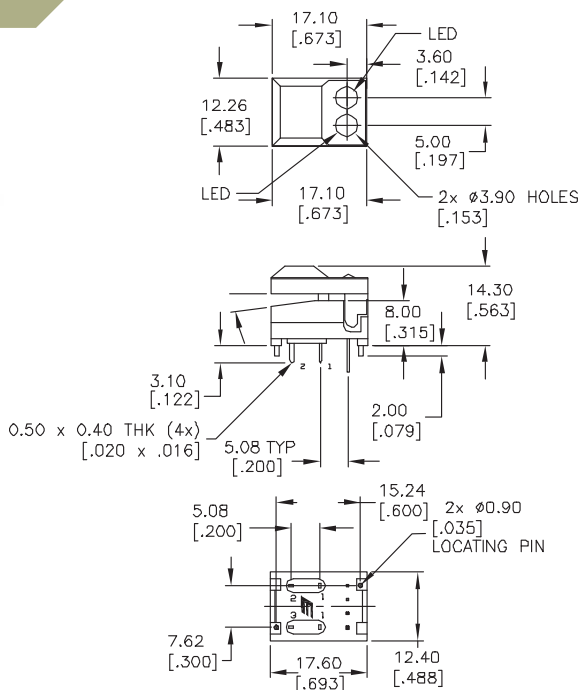


SCHEMATIC

P.C. MOUNTING

5501

2 LEDS

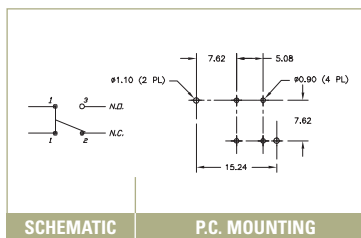
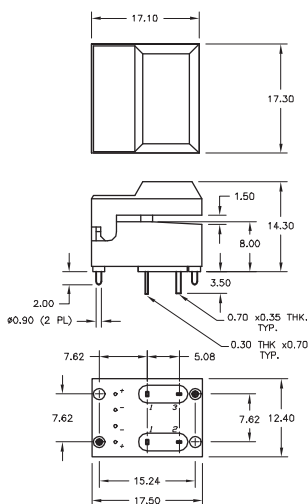


SCHEMATIC

P.C. MOUNTING



5511



TACT SWITCHES

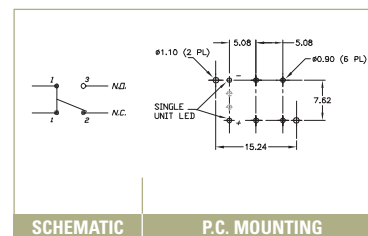
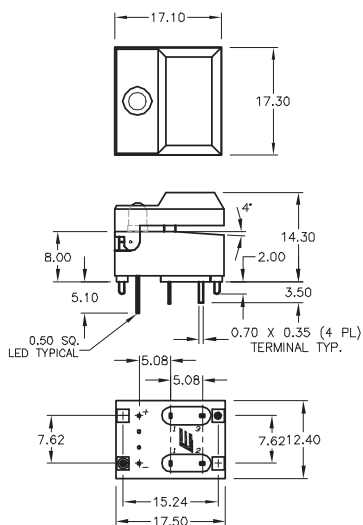
NAVIGATION SWITCHES

PUSHBUTTON SWITCHES

TOGGLE SWITCHES

5511

1 LEDS



ROCKER SWITCHES

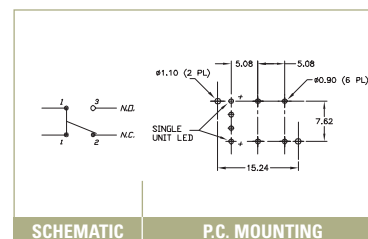
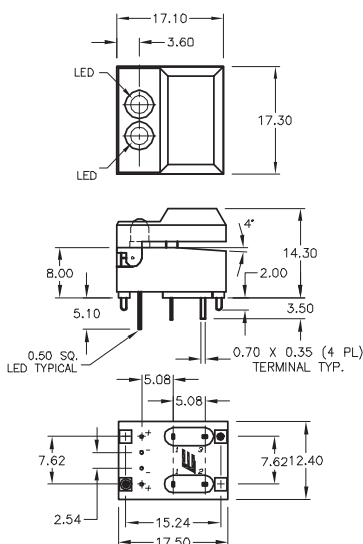
SLIDE SWITCHES

SNAP-ACTION SWITCHES

DIP SWITCHES

5511

2 LEDS



KEYLOCK SWITCHES

ROTARY SWITCHES

DETECTOR SWITCHES

CAP OPTIONS

Mouser Electronics

Authorized Distributor

Click to View Pricing, Inventory, Delivery & Lifecycle Information:

E-Switch:

[5501M5X](#) [5511M4X](#) [5511M2X](#) [5511M5X](#) [5511M11](#) [5511M12](#) [5511M21](#) [5511M81](#) [5511M51](#) [5511M82](#) [5511M52](#)
[5501M42](#) [5501M21](#) [5501M82](#) [5501M51](#) [5501M11](#) [5501M12](#) [5501M52](#) [5501M2X](#) [5501M8X](#) [5501MREDGRNRED](#)
[5501M112](#) [5501M212](#) [5511M112](#) [5511M212](#) [5501MBLKYEELGRN](#) [5501MBLUREDGRN](#) [5501MGRNGRN](#)
[5501MGRIYELGRN](#) [5501MORGRED](#) [5501MWHTX](#) [5501MWHTYEELRED](#) [5501MYELREDGRN](#) [5511MBLKGRNYEL](#)
[5511MGRNREDGRN](#) [5511MGRNX](#) [5511MGRNYEL](#) [5511MGRIYELGRN](#) [5511MREDREDGRN](#)
[5511MWHTREDGRN](#) [5511MYELREDGRN](#) [5511MBLUREDGRN](#) [5501BLKO](#) [5501BLKOO](#) [5501BLUO](#) [5501GRNO](#)
[5501GRNX](#) [5501GRYX](#) [5501ORGX](#) [5501REDO](#) [5501WHTO](#) [5501WHTOO](#) [5501YELOO](#) [5501YELX](#) [5501BLKX](#)
[5501BLUX](#) [5501GRYO](#) [5501GRYOO](#) [5501ORGO](#) [5501REDOO](#) [5501REDX](#) [5501WHTX](#) [5501YELO](#) [5511M42](#)
[5511MWHTGRN](#)