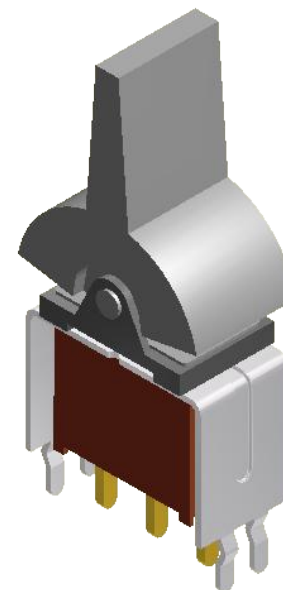
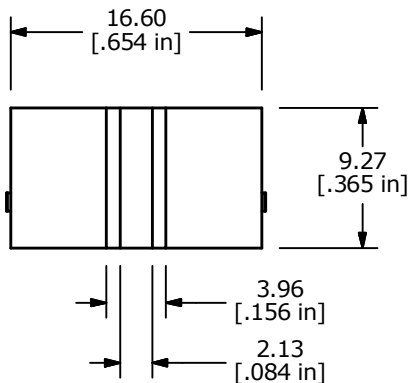
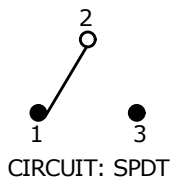


RECOMMENDED P.C. MOUNTING

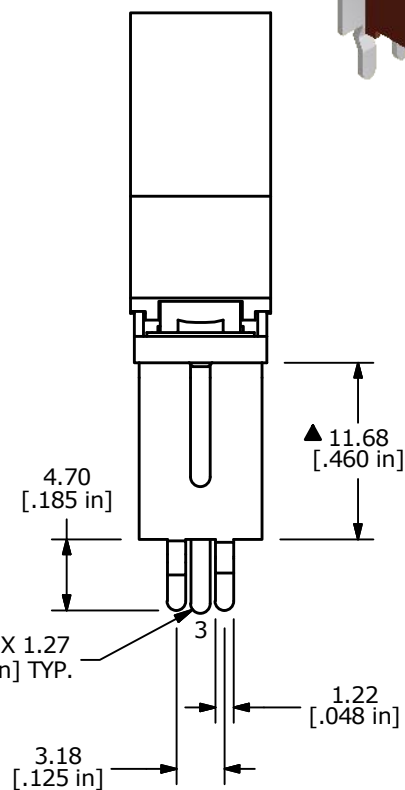
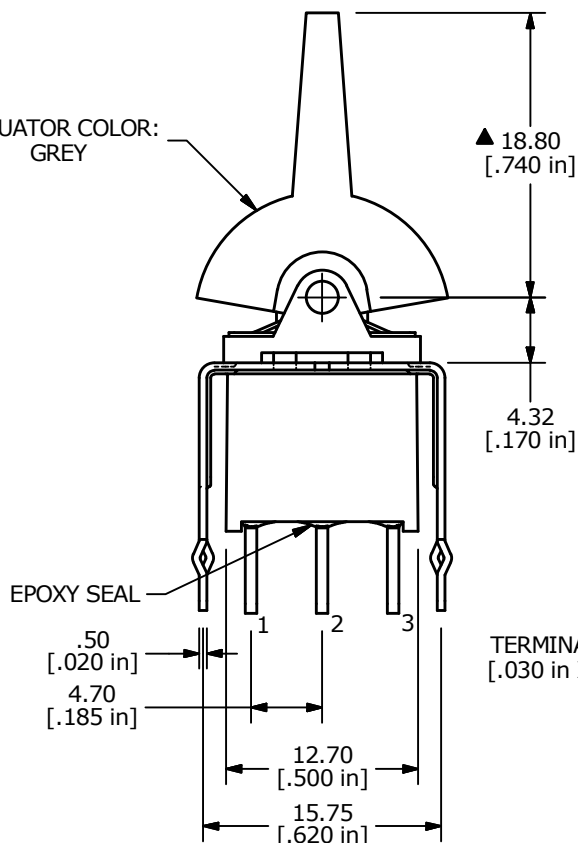


SWITCH FUNCTION		
POS. 1	POS. 2	POS. 3
(ON)	OFF	(ON)
2-3	OPEN	2-1

(ON) = MOMENTARY



▲ ACTUATOR COLOR: GREY



TERMINALS .76 X 1.27 [.030 in X .050 in] TYP.

NOTE:

1. ALL DIMENSIONS IN MM [INCH]
2. GENERAL TOLERANCE: X.X=±0.4
X.XX=±0.25
3. TERMINAL NUMBERS FOR REF ONLY
4. PLATING MATERIAL: GOLD
- ▲ 5. RATING: 0.4 VOLT-AMPS MAX. @20V MAX. AC OR DC
6. ELECTRIC LIFE: 30,000 MAKE-AND-BREAK CYCLES AT FULL LOAD.
7. INSULATION RESISTANCE: 1,000 MEGA-OHM MIN.
8. DIELECTRIC STRENGTH: 1,000 V RMS @SEA LEVEL.
9. OPERATING TEMP.: -30°C to 85°C
10. ▲ DENOTES CRITICAL PARAMETER.
11. 2011/65/EU (ROHS) COMPLIANT



C	22708	UPDATED LAYOUT AND TERMINALS	2/17/17	MJR
B	17586	CHANGED TERMINAL LENGTH (4.7)	8/24/07	BF
REV	PCR NO	DESCRIPTION	DATE	BY

TITLE 300AWSP4J2G2RYVS21RE				
SCALE 2:1	DATE 7/16/2001	DR CJB	DWG T301496	REV C

THE INFORMATION CONTAINED IN THIS DOCUMENT IS PROPRIETARY TO E-SWITCH AND IS NOT TO BE COPIED OR TRANSFERRED

Mouser Electronics

Authorized Distributor

Click to View Pricing, Inventory, Delivery & Lifecycle Information:

[E-Switch:](#)

[300AWSP4J2GRYVS21RE](#)