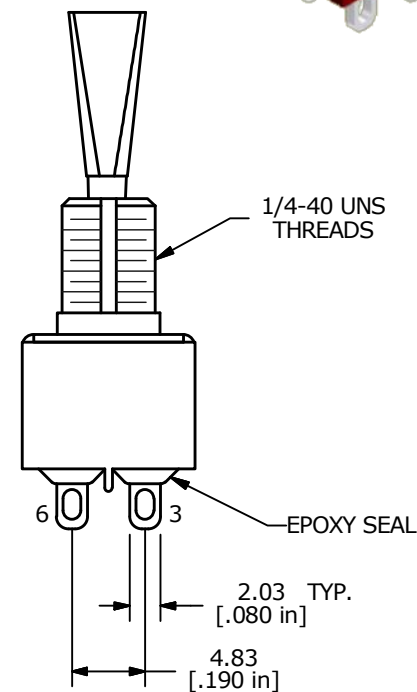
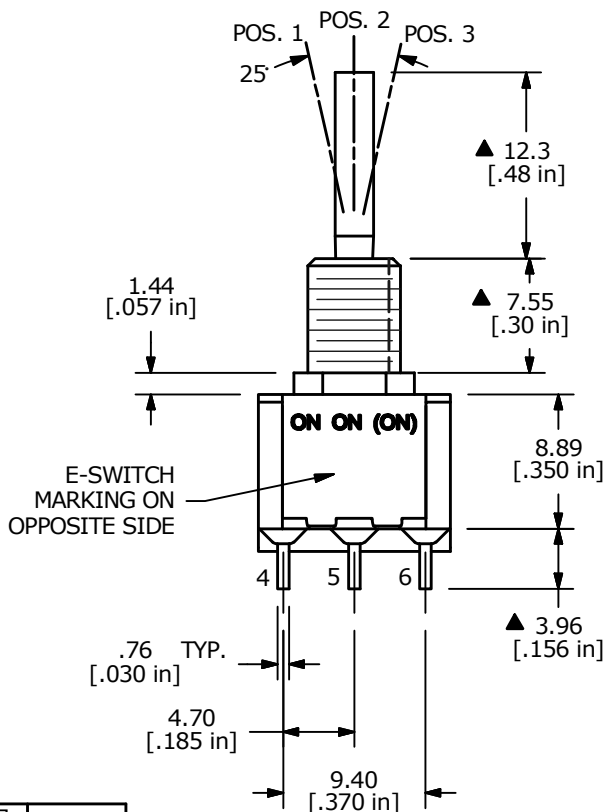
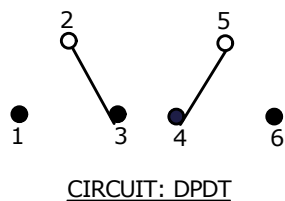


▲ SWITCH FUNCTION		
POS. 1	POS. 2	POS. 3
ON	ON	(ON)
2-3, 5-6	2-3, 5-4	(2-1, 5-4)

(ON) = MOMENTARY



NOTE:

1. ALL DIMENSIONS IN MM [INCH]
2. GENERAL TOLERANCE: X.X = ±0.4  
X.XX = ±0.25
3. TERMINAL NUMBERS FOR REF ONLY
- ▲ 4. PLATING MATERIAL: SILVER
5. RATING: 5 AMPS W/RESISTIVE LOAD @ 120VAC OR 28VDC  
2 AMPS W/RESISTIVE LOAD @ 250VAC
6. ELECTRIC LIFE: 40,000 make-and-break cycles at full load.
7. INSULATION RESISTANCE: 1,000 Mega-ohm min.
8. DIELECTRIC STRENGTH: 1,000 V RMS @sea level.
9. OPERATING TEMP.: -30°C to 85°C
10. ▲ DENOTES CRITICAL PARAMETER.
11. 2011/65/EU (ROHS) COMPLIANT

E	23051	update drawing	10/18/17	MW
D	16328	FIXED SWITCH AND CIRCUIT DIAGRAMS	8/16/06	BO
C	16220	CHANGE SWITCH FUNCTION	7/7/06	BK
B	16066	EDIT SWITCH FUNCTION	5/30/06	CT
A	15644	RELEASED FOR PRODUCTION	1/3/06	PH
REV	PCR NO	DESCRIPTION	DATE	BY

THE INFORMATION CONTAINED IN THIS DOCUMENT IS PROPRIETARY TO E-SWITCH AND IS NOT TO BE COPIED OR TRANSFERRED



TITLE 100DP7T6B11M1QE

SCALE	DATE	DR	DWG	REV
2:1	1/3/2006	PH	T128066	E

# Mouser Electronics

Authorized Distributor

Click to View Pricing, Inventory, Delivery & Lifecycle Information:

[E-Switch:](#)

[100DP7T6B11M1QE](#)