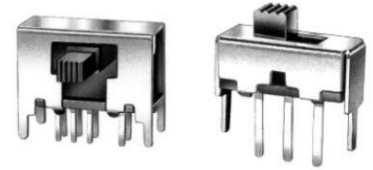


Application

- ✓ TV/Video, Audio, Home appliance, Precision apparatus, Automotive, Office equipment, Communication, Musical instruments, Industrial control



Feature

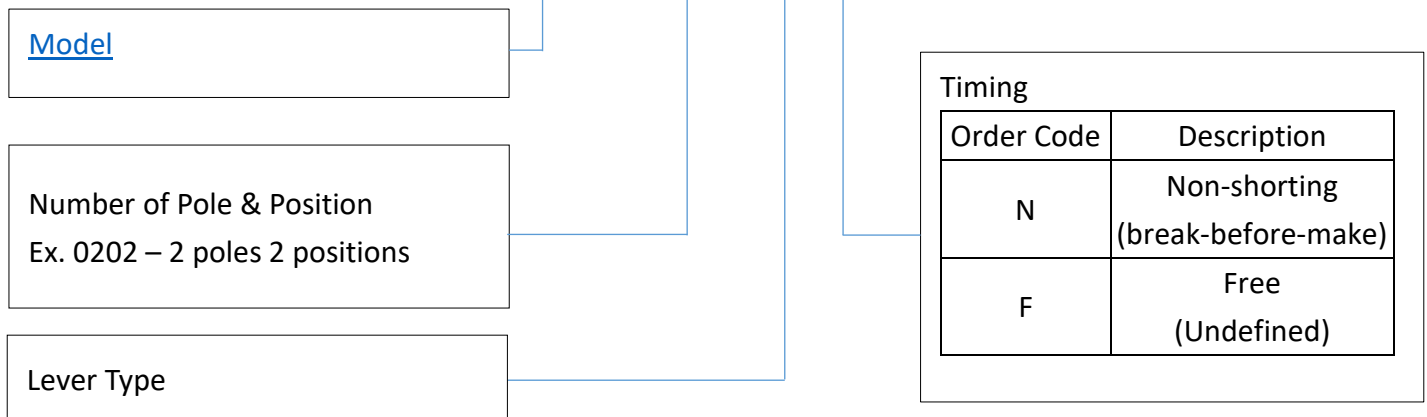
- ✓ Low profile slide switches available for various fields.

■Specification

| | |
|-----------------------------|---------------|
| Operating Temperature Range | -10 °C~70°C |
| Standard Contact Resistance | 25mΩ max. |
| Operating Life Cycle | 10,000 cycles |


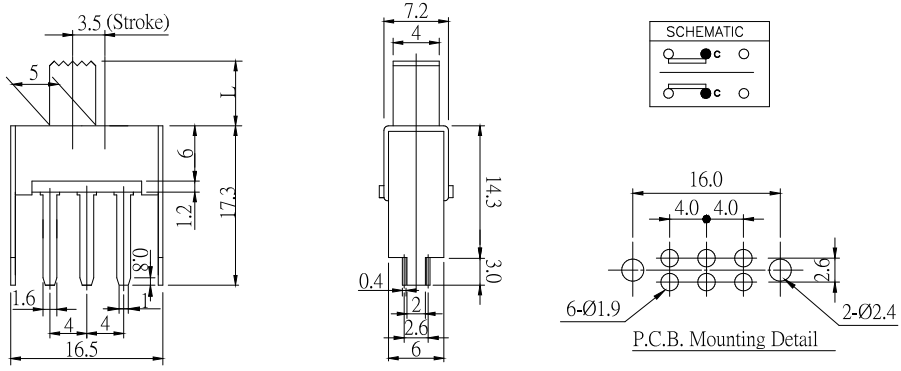

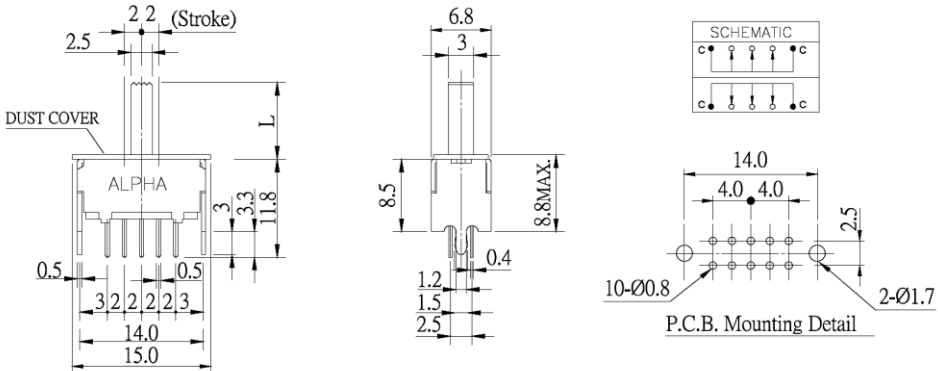
■How to order

SV70050F - 0202 - 6T - N



Model Description

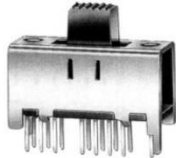
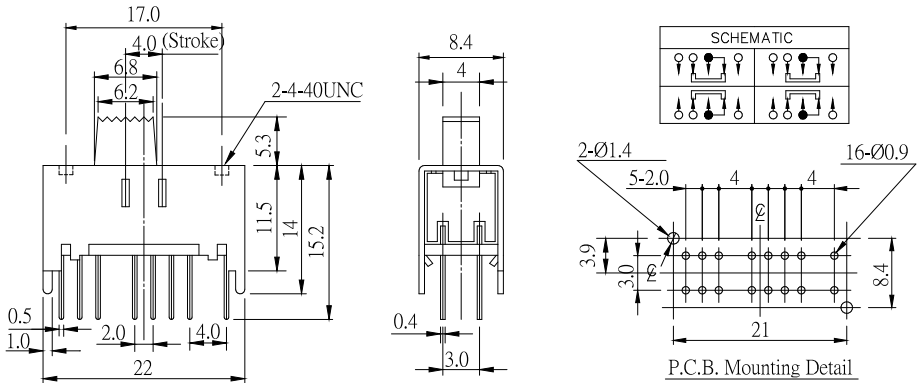
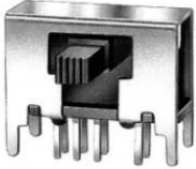
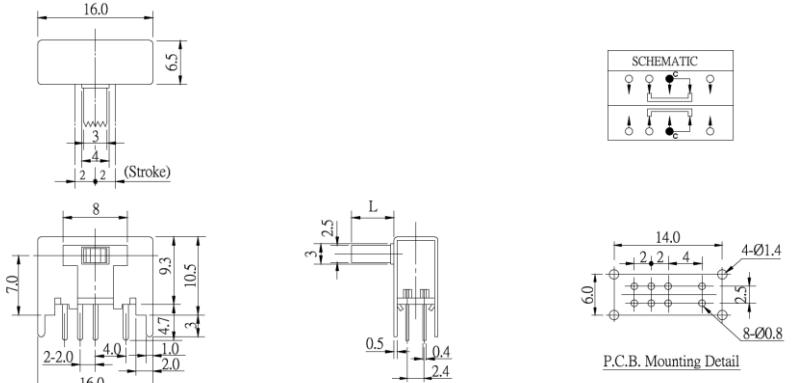
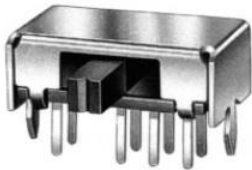
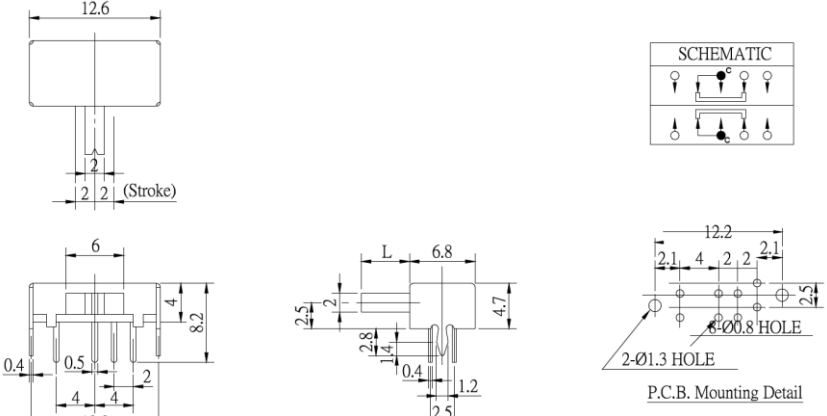

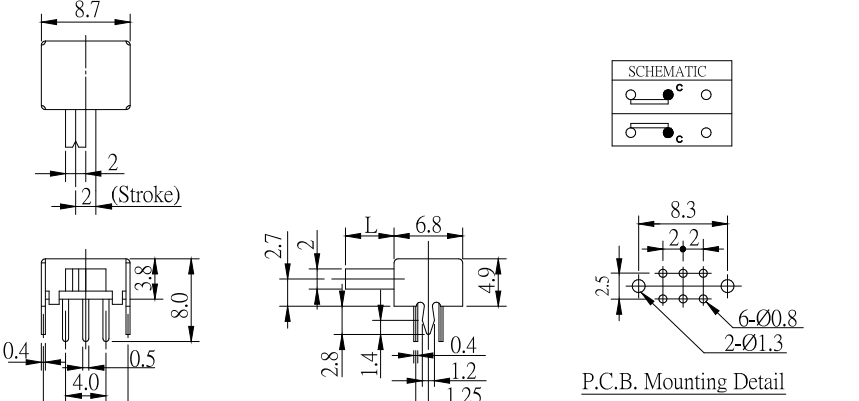
| Model | Lever Length | Operating Direction | Rating | Timing |
|-------------------------------|--------------------------|---------------------|-------------|--------------|
| SS70020F-0202 | 4, 5, 6, 7.5, 10, 12, 14 | Vertical | AC125V 0.3A | Non-shorting |
| SS71020F-0203 | 6, 9 | Vertical | AC125V 0.3A | Non-shorting |
| SS84017F-0403 | 5.3 | Vertical | AC125V 0.3A | Free |
| SV65020F-0203 | 6 | Horizontal | AC125V 0.3A | Free |
| SV68010F-0203 | 4, 6 | Horizontal | AC125V 0.3A | Free |
| SV69010F-0202 | 4, 6 | Horizontal | AC125V 0.3A | Non-shorting |
| SV70050F-0202 | 6, 10, 20 | Horizontal | AC125V 0.3A | Non-shorting |
| SV71010F-0202 | 6 | Horizontal | DC30V 0.1A | Non-shorting |

| Order Code | Outline Drawing |
|---|--|
| SS70020F-0202-□T-021  |  <p>Dimensions: 3.5 (Stroke), 5, 1.6, 4, 4, 16.5, 1.2, 6, 17.3, 7.2, 4, 14.3, 0.4, 2, 2.6, 6, 3.0, 16.0, 4.0, 4.0, 2.6, 2-Ø2.4, 6-Ø1.9</p> <p>P.C.B. Mounting Detail</p> |
| SS71020F-0203-□T-025  |  <p>Dimensions: 2.2 (Stroke), 2.5, 0.5, 3, 2, 2, 2, 3, 14.0, 15.0, 3, 3.3, 11.8, 6.8, 3, 8.5, 8.8MAX, 0.4, 1.2, 1.5, 2.5, 14.0, 4.0, 4.0, 2.5, 2-Ø1.7, 10-Ø0.8</p> <p>P.C.B. Mounting Detail</p> |


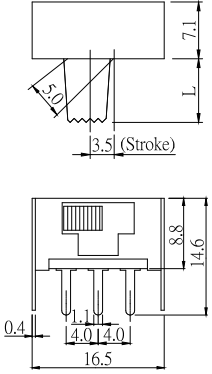
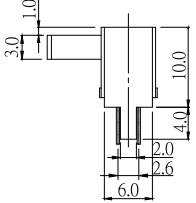
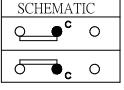
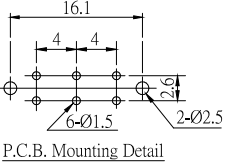

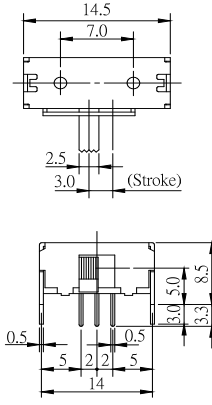
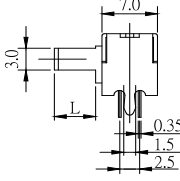
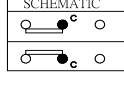
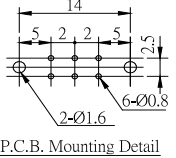
[Back to top](#)

SLIDE SWITCH



| Order Code | Outline Drawing |
|---|--|
| SS84017F-0403-□T  |  |
| SV65020F-0203-□H-01  |  |
| SV68010F-0203-□V  |  |
| SV69010F-0202-□V  |  |

[Back to top](#)

| Order Code | Outline Drawing | | |
|--|--|---|---|
| <p>SV70050F-0202-□T</p>  |  |  | <p>SCHMATIC</p>  <p>P.C.B. Mounting Detail</p>  |
| <p>SV71010F-0202-□T</p>  |  |  | <p>SCHMATIC</p>  <p>P.C.B. Mounting Detail</p>  |

[Back to top](#)

Design and specifications presented here are for the standard parts only. Please kindly contact us for your special requests and ask for the current technical specifications before purchase and/or use.

[Back to top](#)

Mouser Electronics

Authorized Distributor

Click to View Pricing, Inventory, Delivery & Lifecycle Information:

[Alpha \(Taiwan\):](#)

[SS70020F-0202-6T-NB](#) [SS65010F-0203-4.5H-FN](#) [SS91030F-0203-12T-FN](#) [SS70020F-0202-12T-NB](#) [SV65020F-0103-6H-01-FN](#) [SV68010F-0203-6V-FS](#) [SV62010F-0202-4K-NN](#) [SV65010F-0102-6H-FN](#) [SS65010F-0202-4.5H-FN](#)