

ROTARY SWITCH



SR25 Series

Application

- ✓ TV/Video, Audio, Home appliance, Precision apparatus, Automotive, Musical instruments, Industrial control, Others

Feature

- ✓ Up to 12 positions general use switch with optional metal shafts.



■Specification

Rating	125V AC 0.3A
Withstand Voltage	500V AC - 1 minute
Contact Resistance	50 mΩ Max.
Insulation Resistance	500V DC - 100MΩ Min.
Rotational Torque	1.0 ± 0.5 kgf.cm
Operating Life Cycle (Without Load)	10,000 cycles

■How to order

SR2512F – 0206 – 15R0 A– C9 – S

Model

Number of Pole & Position
Ex. 0102 – 1 pole 2 positions
0402 – 4 poles 2 positions

Shaft Type

Code	Diameter of Shaft
A	6mm
B	6.35mm

Timing

Order Code	Description
S	Shorting (make-before-break)
N	Non-Shorting (break-before-make)


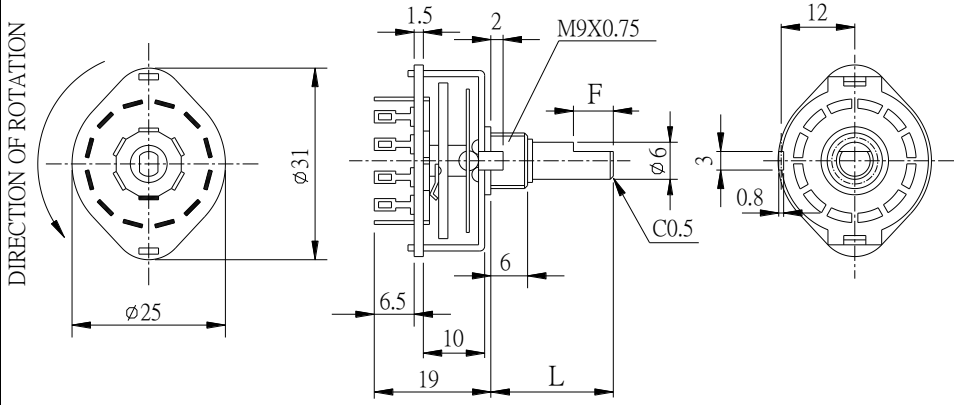

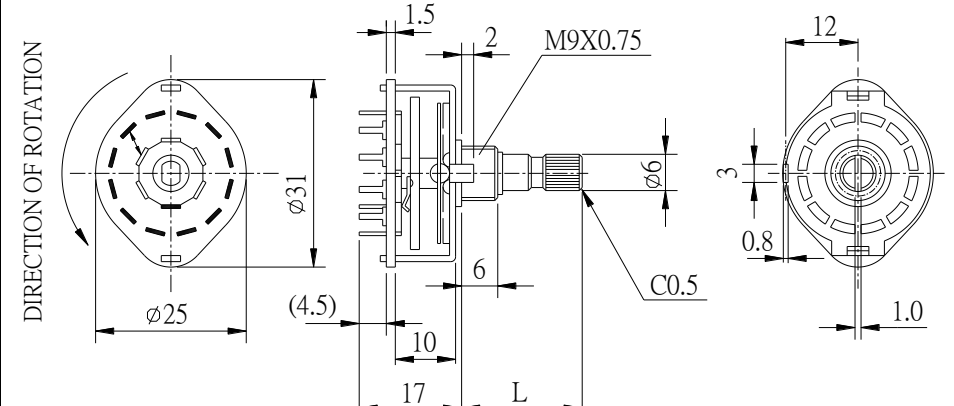
Bushing Type

Order Code	Bushing Length	Bushing Diameter
C9	6mm	M9*0.75
E9	9.5mm	M9*0.75

SR25 Series


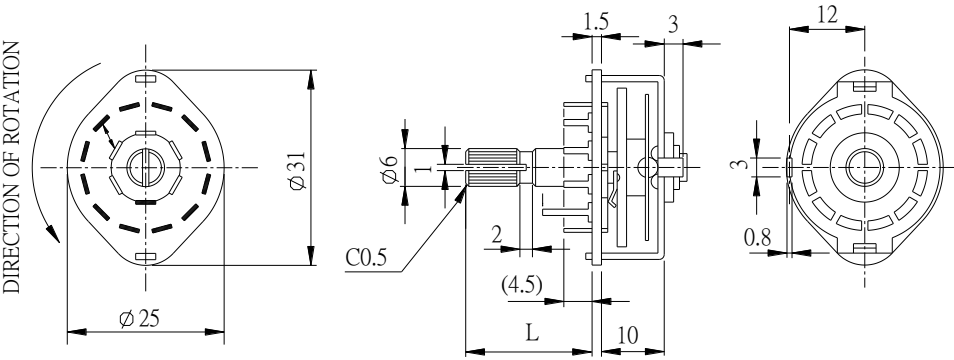
Model Description

Model	Terminal Type	Pole	Position	Changeover Angle	Changeover Timing
SR2511F	Soldering	1	2~7, 9~12	30°	Non-Shorting/ Shorting
		2	2~6		
		3	2~4		
		4	2, 3		
		6	2		
SR2512F	PCB	1	2~7, 9~12		
		2	2~6		
		3	2~4		
		4	2, 3		
		6	2		
SR2513F	PCB upward	1	2~7, 9~12		
		2	2~6		
		3	3, 4		
		4	2, 3		
		6	2		

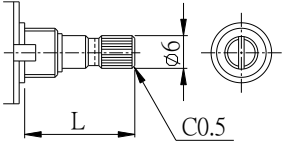
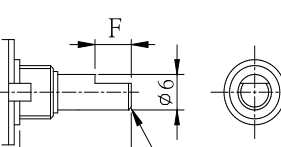
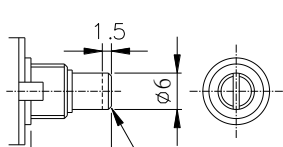
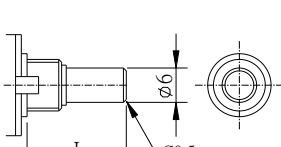
Order Code	Outline Drawing
SR2511F-□□-(L)F0A-C9-S SR2511F-□□-(L)F0A-C9-N 	 <p>Technical drawing for SR2511F showing top, side, and front views. Dimensions include: top view diameter $\phi 25$, height $\phi 31$, side view mounting hole diameter $\phi 6$, and various other dimensions (1.5, 2, 6, 10, 19, L, 12, 0.8, 3, C0.5, M9X0.75, F).</p>
SR2512F-□□-(L)K0A-C9-S SR2512F-□□-(L)K0A-C9-N 	 <p>Technical drawing for SR2512F showing top, side, and front views. Dimensions include: top view diameter $\phi 25$, height $\phi 31$, side view mounting hole diameter $\phi 6$, and various other dimensions (1.5, 2, 6, 10, 17, L, 12, 0.8, 3, C0.5, M9X0.75, 4.5).</p>

[Back to top](#)

SR25 Series

Order Code	Outline Drawing
SR2513F-□□-(L)K0A-T-S SR2513F-□□-(L)K0A-T-N 	

■ Shaft Type

Order Code	(L)K0A	(L)FOA	(L)SOA	(L)ROA
Shaft Type	18 Teeth knurled	Flat shaft	Slotted shaft	Round shaft
Dimensions				
Standard Shaft Length (L)	15, 20, 25, 30			

Design and specifications presented here are for the standard parts only. Please kindly contact us for your special requests and ask for the current technical specifications before purchase and/or use.

[Back to top](#)

Mouser Electronics

Authorized Distributor

Click to View Pricing, Inventory, Delivery & Lifecycle Information:

[Alpha \(Taiwan\):](#)

[SR2511F-0205-19R0B-E9-N-W](#) [SR2513F-0205-19F0A-T-N](#) [SR2511F-0403-19R0B-E9-S-W](#) [SR2511F-0109-19R0B-E9-S-W](#) [SR2511F-0402-19R0B-E9-S-W](#) [SR2511F-0602-19R0B-E9-N-W](#) [SR2511F-0304-19R0B-E9-N-W](#) [SR2513F-0304-19F0A-T-N](#) [SR2513F-0403-19F0A-T-N](#) [SR2513F-0602-19F0A-T-N](#) [SR2511F-0107-19R0B-E9-S-W](#) [SR2511F-0403-19R0B-E9-N-W](#) [SR2513F-0112-19F0A-T-N](#) [SR2511F-0602-19F0B-E9-N-W](#) [SR2513F-0206-19F0A-T-N](#) [SR2513F-0110-19F0A-T-N](#) [SR2511F-0112-19R0B-E9-N-W](#) [SR2511F-0304-19R0B-E9-S-W](#) [SR2513F-0204-19F0A-T-N](#) [SR2511F-0206-19R0B-E9-N-W](#) [SR2511F-0403-26R0B-E9-S-W](#) [SR2511F-0304-19F0B-E9-N-W](#) [SR2511F-0403-19F0B-E9-N-W](#) [SR2511F-0303-19R0B-E9-S-W](#) [SR2511F-0602-19R0B-E9-S-W](#) [SR2511F-0403-19R0B-E9-N-W-159](#) [SR2511F-0206-19R0B-E9-N-W-159](#) [SR2511F-0602-19R0B-E9-N-W-159](#) [SR2511F-0112-19R0B-E9-N-W-159](#) [SR2511F-0205-19R0B-E9-N-W-159](#) [SR2511F-0304-19R0B-E9-N-W-159](#) [SR2512F-0403-19R0B-E9-N-W-159](#) [SR2511F-0304-19R0B-E9-S-W-159](#) [SR2512F-0205-19R0B-E9-N-W-159](#) [SR2511F-0206-19F0B-E9-N-W-159](#) [SR2512F-0112-19R0B-E9-N-W-159](#) [SR2511F-0402-19R0B-E9-S-W-159](#) [SR2511F-0112-19R0B-E9-S-W-159](#) [SR2511F-0205-19R0B-E9-S-W-159](#) [SR2511F-0304-19F0B-E9-N-W-159](#) [SR2512F-0602-19R0B-E9-N-W-159](#) [SR2512F-0108-19R0B-E9-N-W-159](#) [SR2511F-0109-19R0B-E9-S-W-159](#) [SR2511F-0403-19F0B-E9-N-W-159](#) [SR2511F-0303-19R0B-E9-S-W-159](#) [SR2512F-0206-19R0B-E9-N-W-159](#) [SR2511F-0602-19F0B-E9-N-W-159](#) [SR2511F-0403-19R0B-E9-S-W-159](#) [SR2511F-0206-19R0B-E9-S-W-159](#) [SR2511F-0107-19R0B-E9-S-W-159](#) [SR2511F-0602-19R0B-E9-S-W-159](#) [SR2512F-0110-19R0B-E9-N-W-159](#) [SR2511F-0403-26R0B-E9-S-W-159](#) [SR2511F-0109-25R0B-E9-S-W-159](#) [SR2511F-0402-19F0B-E9-S-W-159](#) [SR2511F-0402-19K0B-E9-S-W-159](#)