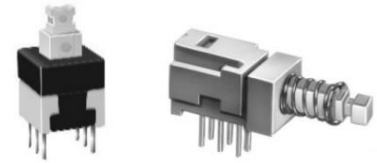


Application

- ✓ TV/Video, Audio, Home appliance, Precision apparatus, Automotive, Office equipment, Communication, Musical instruments, Industrial control, Others



Feature

- ✓ Small size push button switches with good feeling.

■Specification

Operating Temperature Range	-10 °C~70°C
Standard Contact Resistance	< 50 mΩ
Operating Life Cycle	10,000 cycles

■How to order

SP70018F - 0202 - 13F1 - N N - N

Model

SP – Push Switch

Number of Pole and Position

Ex. 0102 – 1 pole 2 positions
0402 – 4 poles 2 positions

Actuator

Timing

Order Code	Description
N	Non-Shorting (break-before-make)
S	Shorting (make-before-break)

Mechanical Configuration


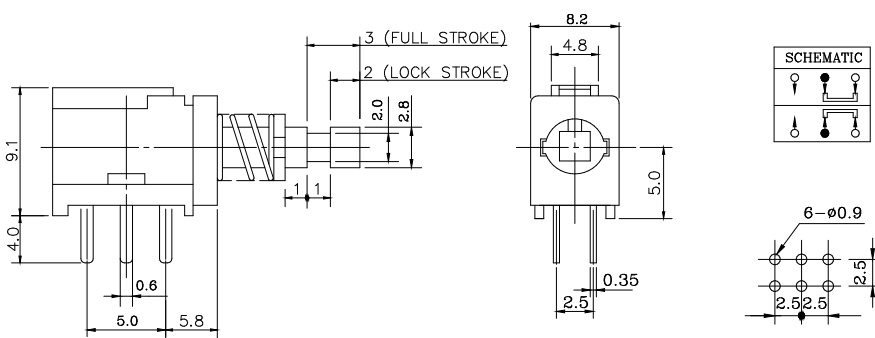
Order Code	Description
N	Non-lock
Blank	Lock

Plating of Casing

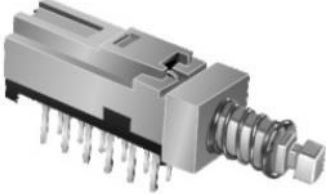
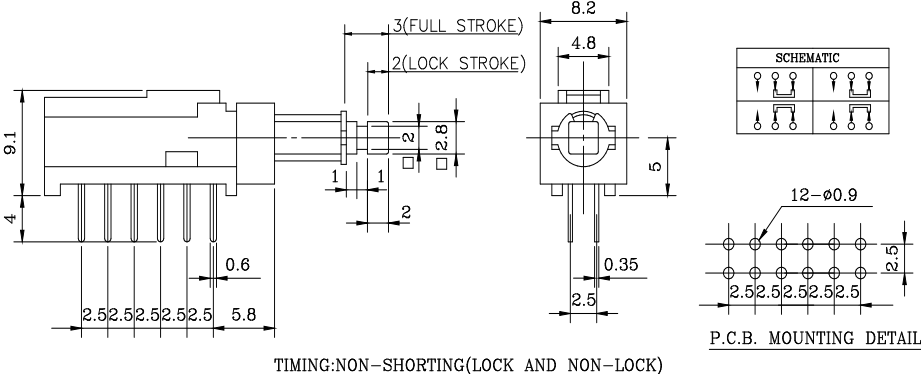

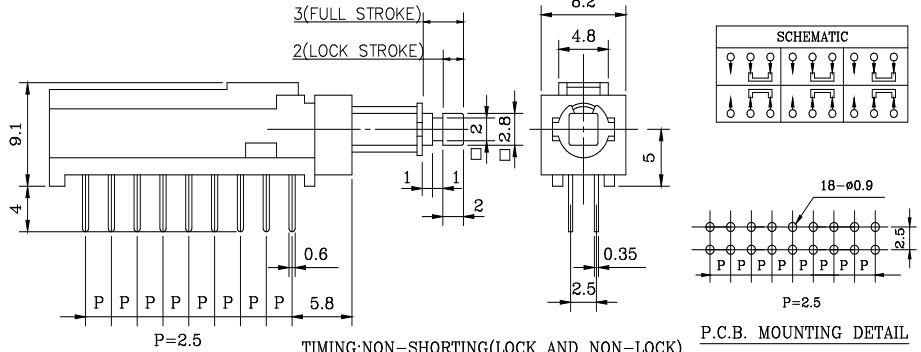
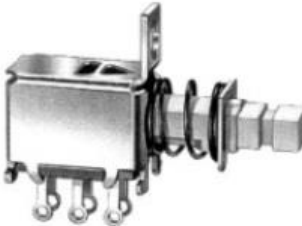
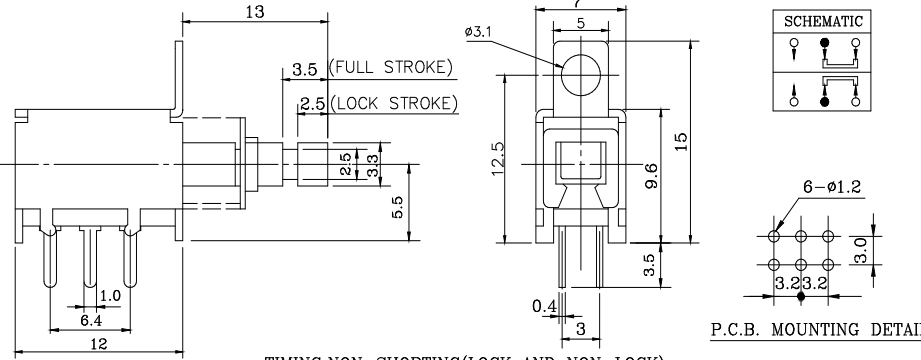

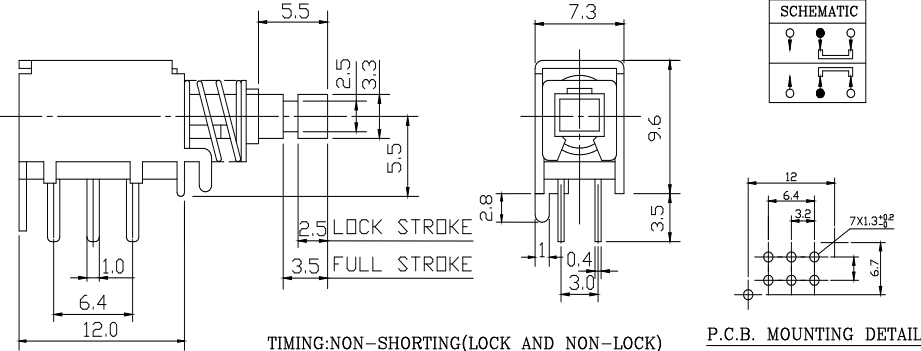
Order Code	Description
N	Nickel plated
Blank	Plastic case

Model Description


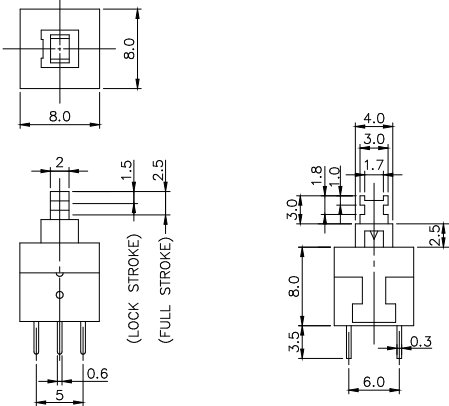
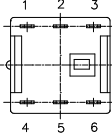

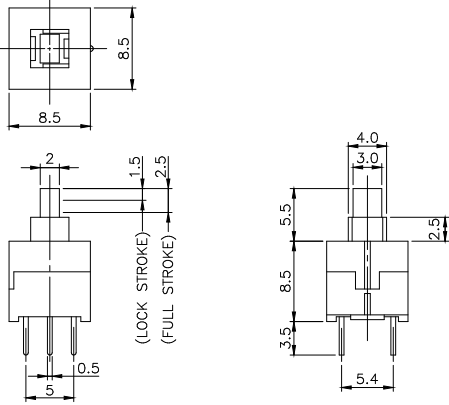
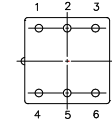
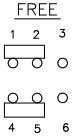
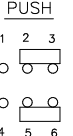

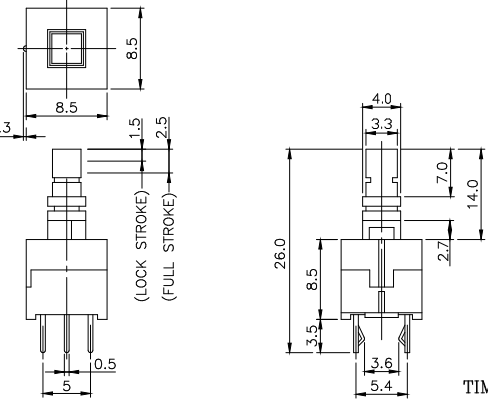
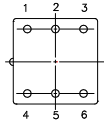
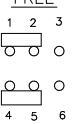
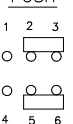
Model	Pole / Position	Operation Force	Rating	Timing	Mechanical Configuration
SP70300F-0202	2 poles, 2 positions	300±150gf.cm	DC30V, 0.1A	Non-Shorting	Lock /Non-lock
SP70300F-0402	4 poles, 2 positions	300±150gf.cm	DC30V, 0.1A	Non-Shorting	Lock /Non-lock
SP70300F-0602	6 poles, 2 positions	300±150gf.cm	DC30V, 0.1A	Non-Shorting	Lock /Non-lock
SP70018F-0202	2 poles, 2 positions	300±150gf.cm	AC125V, 0.3A	Non-Shorting	Lock /Non-lock
SP70030F-0202	2 poles, 2 positions	300±150gf.cm	AC125V, 0.3A	Non-Shorting / Shorting	Lock /Non-lock
SP80010F-0202	2 poles, 2 positions	150±80gf.cm	DC30V, 0.1A	Non-Shorting	Lock /Non-lock
SP80050F-0202	2 poles, 2 positions	200±80gf.cm	DC30V, 0.3A	Non-Shorting	Lock /Non-lock
SP8005BF-0202	2 poles, 2 positions	200±80gf.cm	DC30V, 0.3A	Non-Shorting	Lock /Non-lock

Order Code	Outline Drawing
SP70300F-0202-11F1-N SP70300F-0202-11F1-N-N 	 <p>TIMING:NON-SHORTING(LOCK AND NON-LOCK)</p> <p>P.C.B. MOUNTING DETAIL</p>

[Back to top](#)

Order Code	Outline Drawing
SP70300F-0402-11F1-N SP70300F-0402-11F1-N-N 	 <p>TIMING:NON-SHORTING(LOCK AND NON-LOCK)</p>
SP70300F-0602-11F1-N SP70300F-0602-11F1-N-N 	 <p>TIMING:NON-SHORTING(LOCK AND NON-LOCK)</p>
SP70018F-0202-13F1-NN SP70018F-0202-13F1-NN-N 	 <p>TIMING:NON-SHORTING(LOCK AND NON-LOCK)</p>
SP70030F-0202-13F1-NN(-N) SP70030F-0202-13F1-SN(-N) 	 <p>TIMING:NON-SHORTING(LOCK AND NON-LOCK) TIMING:SHORTING(LOCK AND NON-LOCK)</p>

[Back to top](#)

Order Code	Outline Drawing
<p>SP80010F-0202-10F5-N SP80010F-0202-10F-N-N</p> 	 <p>PUSH 2-3 ON 4-5 ON</p>  <p>FREE 1-3 ON 4-6 ON</p> <p>TIMING:NON-SHORTING(LOCK AND NON-LOCK)</p>
<p>SP80050F-0202-5.5F1-N SP80050F-0202-5.5F-N-N</p> 	 <p>SCHMATIC</p>  <p>FREE</p>  <p>PUSH</p>  <p>TIMING:NON-SHORTING(LOCK AND NON-LOCK)</p>
<p>SP8005BF-0202-14F-N SP8005BF-0202-14F-N-N</p> 	 <p>SCHMATIC</p>  <p>FREE</p>  <p>PUSH</p>  <p>TIMING:NON-SHORTING(LOCK AND NON-LOCK)</p>

Design and specifications presented here are for the standard parts only. Please kindly contact us for your special requests and ask for the current technical specifications before purchase and/or use.

[Back to top](#)

Mouser Electronics

Authorized Distributor

Click to View Pricing, Inventory, Delivery & Lifecycle Information:

[Alpha \(Taiwan\):](#)

[SP70030F-0202-13F1-01-NN](#) [SP8005BF-0202-14F-N-N](#)