

## 24mm Rotary Type, Metal Shaft Series

### Application

TV/Video, Audio, Home appliance, Industrial control

### Feature

- ✓ Suitable for various applications



### ■Specification

|                                       |                      |
|---------------------------------------|----------------------|
| Total Rotational Angle                | 300±5°               |
| Maximum Operating Voltage             | 250V AC              |
| Insulation Resistance                 | 100MΩ at DC500V      |
| Dielectric Strength                   | AC 500V for 1 minute |
| Rotational Torque                     | 20-200 gf.cm         |
| Rotational Stop Strength of the Shaft | 6kgf for 60 sec      |
| Rotation Life                         | 15,000 cycles        |

### ■How to order

RV24AF – 10 D2 – 15F – A50K

Model

#### Bushing Type

| Order Code | Description      |
|------------|------------------|
| D2         | 3/8"x0.75, 6.5mm |
| Blank      | M8x0.75, 6.5 mm  |

Metal Shaft Type

#### Taper and Resistance Value

| Order Code | Taper     | Resistance Value |
|------------|-----------|------------------|
| A100K      | Log/A     | 100KΩ            |
| B1M        | Linear/B  | 1MΩ              |
| C500K      | Rev-log/C | 500KΩ            |

Taper: A, B and C


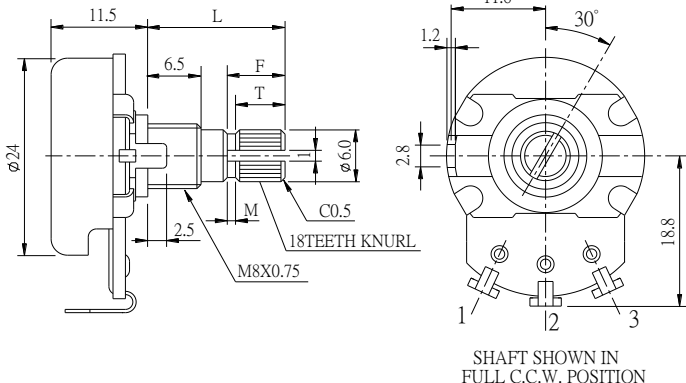
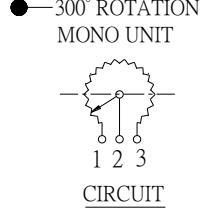

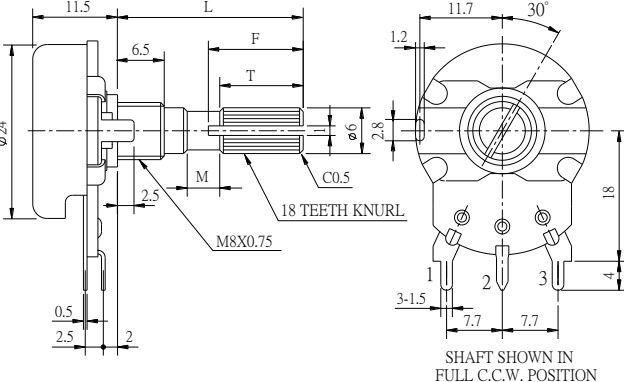
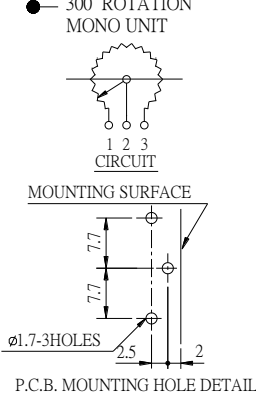
Resistance Value: 1KΩ to 500KΩ and 1MΩ

\*Contact us for other requirements.

## 24mm Rotary Type, Metal Shaft Series


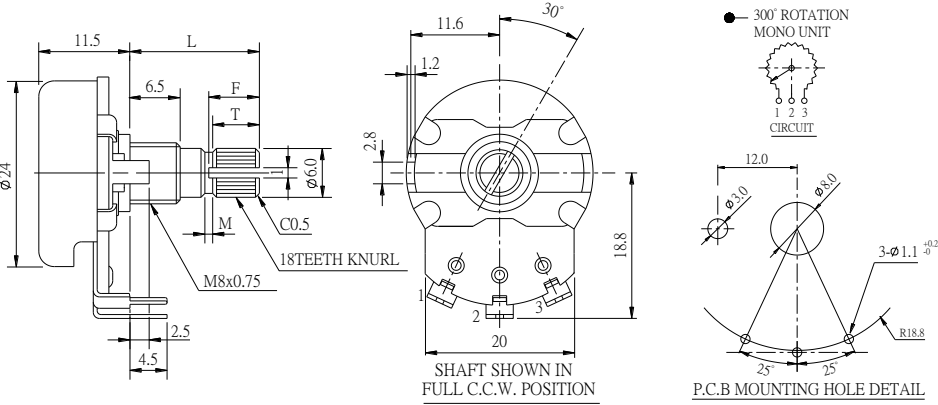

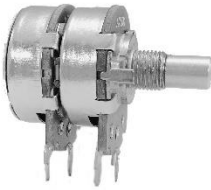

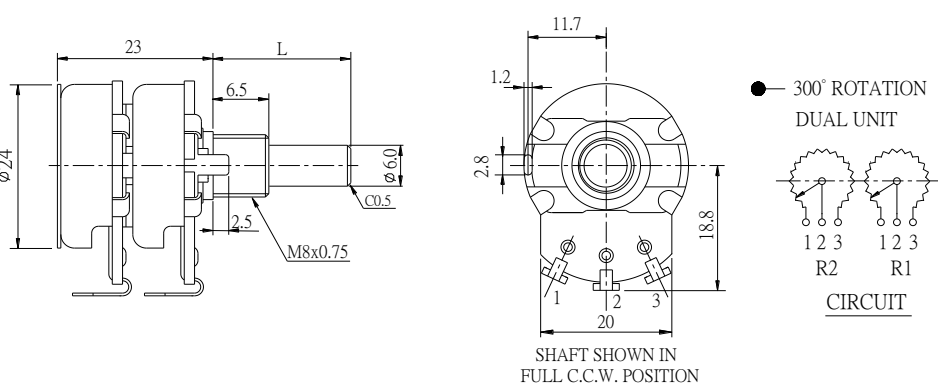
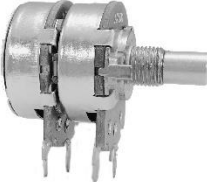
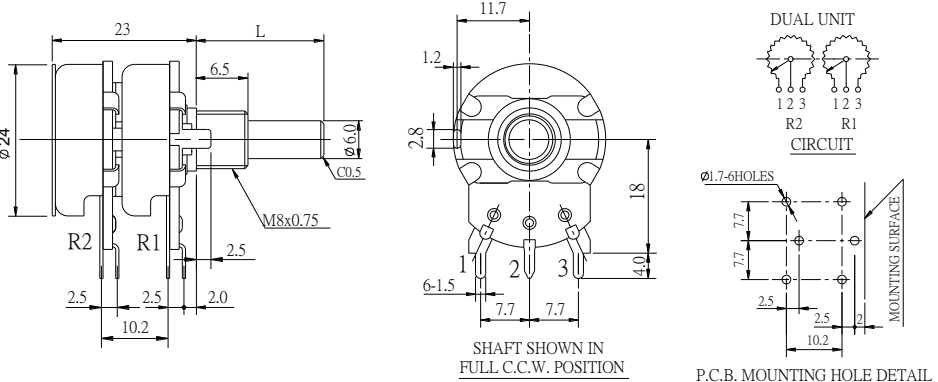
### Model Description

| Model                     | Number of Unit | Switch Function | Terminal Type    | With Sleeve or Bushing | Rotational Angle |
|---------------------------|----------------|-----------------|------------------|------------------------|------------------|
| <a href="#">RV24AF-10</a> | Single unit    | N/A             | Solder lug       | Metal bushing          | 300°±5°          |
| <a href="#">RV24AF-22</a> | Single unit    | N/A             | Horizontal       | Metal bushing          | 300°±5°          |
| <a href="#">RV24AF-30</a> | Single unit    | N/A             | Vertical (Front) | Metal bushing          | 300°±5°          |
| <a href="#">RV24AF-40</a> | Single unit    | N/A             | Vertical         | Metal bushing          | 300°±5°          |
| <a href="#">RV24BF-10</a> | Dual unit      | N/A             | Solder lug       | Metal bushing          | 300°±5°          |
| <a href="#">RV24BF-22</a> | Dual unit      | N/A             | Horizontal       | Metal bushing          | 300°±5°          |

| Order Code   | Outline Drawing   |
|--|---|
| RV24AF-10<br> |  <p>SHAFT SHOWN IN FULL C.C.W. POSITION</p>  <p>● 300° ROTATION MONO UNIT<br/>CIRCUIT</p>   |
| RV24AF-22<br> |  <p>SHAFT SHOWN IN FULL C.C.W. POSITION</p>  <p>● 300° ROTATION MONO UNIT<br/>CIRCUIT<br/>MOUNTING SURFACE<br/>P.C.B. MOUNTING HOLE DETAIL</p> |

[Back to top](#)

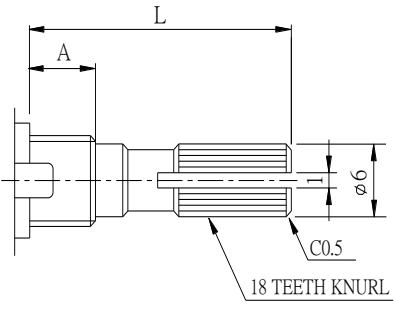
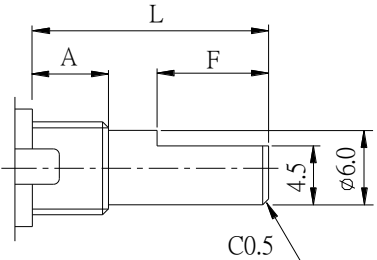
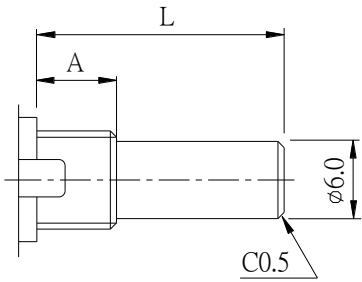
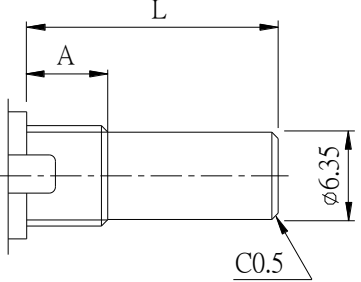
## 24mm Rotary Type, Metal Shaft Series

| Order Code   | Outline Drawing  |
|--|--|
| <p>RV24AF-30</p>    |  <p>SHAFT SHOWN IN FULL C.C.W. POSITION</p> <p>P.C.B MOUNTING HOLE DETAIL</p>    |
| <p>RV24AF-40</p>   |  <p>SHAFT SHOWN FULL C.C.W. POSITION</p> <p>P.C.B MOUNTING HOLE DETAIL</p>      |
| <p>RV24BF-10</p>  |  <p>SHAFT SHOWN IN FULL C.C.W. POSITION</p> <p>CIRCUIT</p>                     |
| <p>RV24BF-22</p>  |  <p>SHAFT SHOWN IN FULL C.C.W. POSITION</p> <p>P.C.B. MOUNTING HOLE DETAIL</p> |

[Back to top](#)

## 24mm Rotary Type, Metal Shaft Series

### ■ Metal Shaft Type

| <p><b>K Type</b></p>    | <p><b>F Type</b></p>     |   |     |    |     |    |     |    |     |    |  |            |   |      |    |      |    |      |    |      |    |
|--|---|---|-----|----|-----|----|-----|----|-----|----|--|------------|---|------|----|------|----|------|----|------|----|
| <p>A : 6.5mm</p> <table border="1" data-bbox="311 779 561 1025"> <thead> <tr> <th>Order Code</th> <th>L</th> </tr> </thead> <tbody> <tr> <td>15K</td> <td>15</td> </tr> <tr> <td>20K</td> <td>20</td> </tr> <tr> <td>25K</td> <td>25</td> </tr> <tr> <td>30K</td> <td>30</td> </tr> </tbody> </table>  | Order Code  | L | 15K | 15 | 20K | 20 | 25K | 25 | 30K | 30 | <p>A : 6.5mm</p> <table border="1" data-bbox="1050 779 1300 1025"> <thead> <tr> <th>Order Code</th> <th>L</th> </tr> </thead> <tbody> <tr> <td>15F</td> <td>15</td> </tr> <tr> <td>20F</td> <td>20</td> </tr> <tr> <td>25F</td> <td>25</td> </tr> <tr> <td>30F</td> <td>30</td> </tr> </tbody> </table>      | Order Code | L | 15F  | 15 | 20F  | 20 | 25F  | 25 | 30F  | 30 |
| Order Code   | L   |   |     |    |     |    |     |    |     |    |  |            |   |      |    |      |    |      |    |      |    |
| 15K  | 15  |   |     |    |     |    |     |    |     |    |  |            |   |      |    |      |    |      |    |      |    |
| 20K  | 20  |   |     |    |     |    |     |    |     |    |  |            |   |      |    |      |    |      |    |      |    |
| 25K  | 25  |   |     |    |     |    |     |    |     |    |  |            |   |      |    |      |    |      |    |      |    |
| 30K  | 30  |   |     |    |     |    |     |    |     |    |  |            |   |      |    |      |    |      |    |      |    |
| Order Code   | L   |   |     |    |     |    |     |    |     |    |  |            |   |      |    |      |    |      |    |      |    |
| 15F  | 15  |   |     |    |     |    |     |    |     |    |  |            |   |      |    |      |    |      |    |      |    |
| 20F  | 20  |   |     |    |     |    |     |    |     |    |  |            |   |      |    |      |    |      |    |      |    |
| 25F  | 25  |   |     |    |     |    |     |    |     |    |  |            |   |      |    |      |    |      |    |      |    |
| 30F  | 30  |   |     |    |     |    |     |    |     |    |  |            |   |      |    |      |    |      |    |      |    |
| <p><b>R Type</b></p>    | <p><b>R1 Type</b></p>  |   |     |    |     |    |     |    |     |    |  |            |   |      |    |      |    |      |    |      |    |
| <p>A : 6.5mm</p> <table border="1" data-bbox="311 1512 561 1758"> <thead> <tr> <th>Order Code</th> <th>L</th> </tr> </thead> <tbody> <tr> <td>15R</td> <td>15</td> </tr> <tr> <td>20R</td> <td>20</td> </tr> <tr> <td>25R</td> <td>25</td> </tr> <tr> <td>30R</td> <td>30</td> </tr> </tbody> </table> | Order Code  | L | 15R | 15 | 20R | 20 | 25R | 25 | 30R | 30 | <p>A : 6.5mm</p> <table border="1" data-bbox="1050 1512 1300 1758"> <thead> <tr> <th>Order Code</th> <th>L</th> </tr> </thead> <tbody> <tr> <td>15R1</td> <td>15</td> </tr> <tr> <td>20R1</td> <td>20</td> </tr> <tr> <td>25R1</td> <td>25</td> </tr> <tr> <td>30R1</td> <td>30</td> </tr> </tbody> </table> | Order Code | L | 15R1 | 15 | 20R1 | 20 | 25R1 | 25 | 30R1 | 30 |
| Order Code   | L   |   |     |    |     |    |     |    |     |    |  |            |   |      |    |      |    |      |    |      |    |
| 15R  | 15  |   |     |    |     |    |     |    |     |    |  |            |   |      |    |      |    |      |    |      |    |
| 20R  | 20  |   |     |    |     |    |     |    |     |    |  |            |   |      |    |      |    |      |    |      |    |
| 25R  | 25  |   |     |    |     |    |     |    |     |    |  |            |   |      |    |      |    |      |    |      |    |
| 30R  | 30  |   |     |    |     |    |     |    |     |    |  |            |   |      |    |      |    |      |    |      |    |
| Order Code   | L   |   |     |    |     |    |     |    |     |    |  |            |   |      |    |      |    |      |    |      |    |
| 15R1   | 15  |   |     |    |     |    |     |    |     |    |  |            |   |      |    |      |    |      |    |      |    |
| 20R1   | 20  |   |     |    |     |    |     |    |     |    |  |            |   |      |    |      |    |      |    |      |    |
| 25R1   | 25  |   |     |    |     |    |     |    |     |    |  |            |   |      |    |      |    |      |    |      |    |
| 30R1   | 30  |   |     |    |     |    |     |    |     |    |  |            |   |      |    |      |    |      |    |      |    |

Design and specifications presented here are for the standard parts only. Please kindly contact us for your special requests and ask for the current technical specifications before purchase and/or use.

[Back to top](#)

# Mouser Electronics

Authorized Distributor

Click to View Pricing, Inventory, Delivery & Lifecycle Information:

## Alpha (Taiwan):

[RV24AF-10-15F-A10K](#) [RV24AF-10D2-20F-A10K](#) [RV24AF-10-15R1-B1M](#) [RV24AF-10-15R1-B5M](#) [RV24AF-10-15R1-B2.5K](#) [RV24AF-10-15R1-B5K](#) [RV24AF-10-15F-A1K](#) [RV24AF-10-15R1-B1K](#) [RV24AF-10-15F-A1M](#) [RV24AF-10-15F-A5K](#) [RV24AF-10-20K-B10K](#) [RV24AF-10-15R1-B2K](#) [RV24AF-10-15F-A50K](#) [RV24AF-10D2-20F-A50K](#) [RV24AF-10-15R1-B2M](#) [RV24AF-10-15F-B50K](#) [RV24AF-10-15F-B500K](#) [RV24AF-10-15F-A500K](#) [RV24AF-10D2-20F-A500K](#) [RV24AF-10-15F-B25K](#) [RV24AF-10-20K-B50K](#) [RV24AF-10-15F-B2M](#) [RV24AF-40-15R1-B1M](#) [RV24AF-10-15R1-A5K](#) [RV24AF-10-15R1-A100K](#) [RV24AF-10-15R1-A250K](#) [RV24AF-10-15R1-A1M](#) [RV24AF-40-15R1-B500K](#) [RV24AF-40-15R1-B100K](#) [RV24AF-10-20K-B500 ohms](#) [RV24AF-10-20K-B53](#) [RV24AF-10D2-20F-A5K](#) [RV24AF-10-20K-B13](#) [RV24AF-10D2-20F-A1M](#) [RV24AF-10D2-20F-A1K](#) [RV24AF-10-20K-B100K](#) [RV24AF-10-15R1-B25K](#) [RV24AF-10-20K-B500K](#) [RV24AF-10-15R1-B10K](#) [RV24AF-10-15R1-B50K](#) [RV24AF-10-20K-B250K](#) [RV24AF-10-15R1-A500K](#) [RV24AF-10-15R1-A1K](#) [RV24AF-10-20K-B1M](#) [RV24AF-10-15F-B100K](#) [RV24AF-10D2-20F-A100K](#) [RV24AF-10-15F-B5M](#) [RV24AF-10-15F-B5K](#) [RV24AF-10-15F-B1M](#) [RV24AF-10-15F-B1K](#) [RV24AF-10-15F-A100K](#) [RV24AF-10-15R1-B250K](#) [RV24AF-10-15F-B250K](#) [RV24AF-10D2-20F-A250K](#) [RV24AF-10-20K-B23](#) [RV24AF-10-15R1-B100K](#) [RV24AF-40-15R1-B1K](#) [RV24AF-22-15R1-B16](#) [RV24AF-10-20K-B26](#) [RV24AF-10-15R1-B500K](#) [RV24AF-40-15R1-B5K](#) [RV24AF-10-15R1-A50K](#) [RV24AF-10-15R1-A10K](#) [RV24AF-40-15R1-B25K](#) [RV24AF-22-15R1-B54](#) [RV24AF-10-15F-B10K](#) [RV24AF-40-15R1-B50K](#) [RV24AF-40-15R1-B10K](#) [RV24AF-40-15R1-B52](#) [RV24AF-22-15R1-B10K](#) [RV24AF-1-15F-B500](#) [RV24AF-10-20K-B5M](#) [RV24AF-40-15R1-A1M](#) [RV24AF-10-15R1-B1M-3](#) [RV24AF-22-15R1-B1M-3LA](#) [RV24AF-40-15R1-B25K-3LA](#) [RV24AF-40-15R1-B5K-3LA](#) [RV24AF-10-15R1-A1M-3LA](#) [RV24AF-10-40R1-B25K-LA](#) [RV24AF-10-15R1-B5K-3LA](#) [RV24AF-10-15R1-B1K-3LA](#) [RV24AF-10-15R1-B50K-3LA](#) [RV24AF-10-20R1-B5M-LA](#) [RV24AF-10-15R1-B100K-3LA](#) [RV24AF-10-15F-B10K-LA](#) [RV24AF-10-15R1-B10K-3LA](#) [RV24AF-10-15F-B500K-LA](#) [RV24AF-10-15F-B50K-LA](#) [RV24AF-10-15R1-A100K-3LA](#) [RV24AF-10-15R1-A500K-3LA](#) [RV24AF-10-20R1-B2M-LA](#) [RV24AF-10-15R1-A250K-3LA](#) [RV24AF-10-15F-B2M-LA](#) [RV24AF-10-15F-B250K-LA](#) [RV24AF-10-15R1-B25K-3LA](#) [RV24AF-10-15F-B1M-LA](#) [RV24AF-10-15F-B5K-LA](#) [RV24AF-10-40R1-B2K-LA](#) [RV24AF-22-15R1-B5K-3LA](#) [RV24AF-10-15R1-B2M-3LA](#)