

24mm Rotary Type with Rotary Switch

Application

- ✓ TV/Video, Audio, Home appliance, Industrial control

Feature

- ✓ Suitable for various control



■Specification

Total Rotational Angle	300±5°
Maximum Operating Voltage	500V AC
Insulation Resistance	100MΩ at DC500V
Dielectric Strength	AC 500V for 1 minute
Rotational Torque	20-200 gf.cm
Rotational Stop Strength of the Shaft	6 kgf.cm min
Rotation Life	15,000 cycles
Switch Working Angle	50° ±10°
Switch Working Torque	800 gf.cm max
Switch Life	10,000 cycles

■How to order

RV24A03F – 40 D2 – 25F – B500K

[Model](#)

Bushing Type

Order Code	Description
D2	3/8"x0.75, 6.5mm
Blank	M8x0.75, 6.5 mm

[Shaft Type](#)


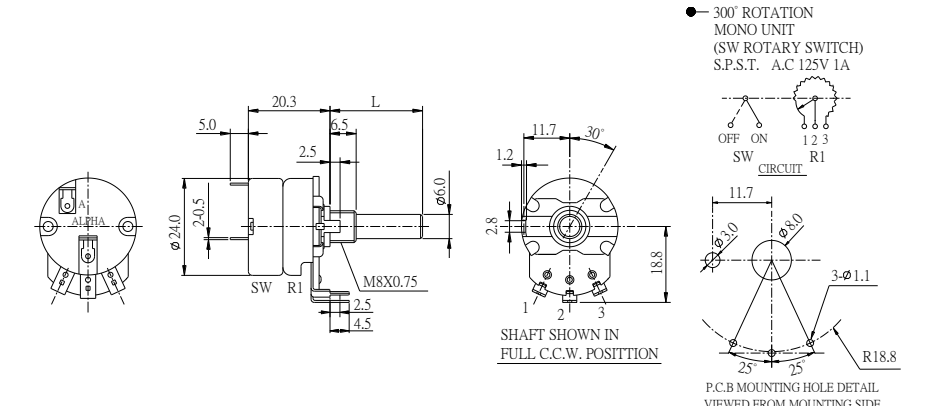



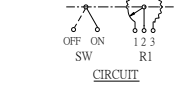
Taper and Resistance Value

Order Code	Taper	Resistance Value
A100K	Log/A	100KΩ
B1M	Linear/B	1MΩ
C500K	Rev-log/C	500KΩ

Taper: A, B and C

Resistance Value: 1KΩ to 500KΩ and 1MΩ

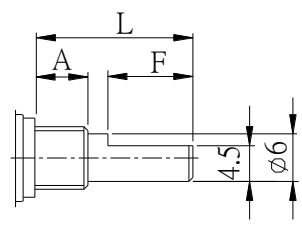
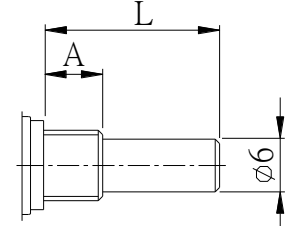
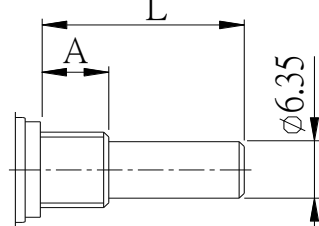
24mm Rotary Type with Rotary Switch

Order Code	Outline Drawing
<p>RV24A01F-30</p> 	 <p>● 300° ROTATION MONO UNIT (SW ROTARY SWITCH) S.P.S.T. A.C 125V 1A</p> <p>SHAFT SHOWN IN FULL C.C.W. POSITION</p> <p>P.C.B MOUNTING HOLE DETAIL VIEWED FROM MOUNTING SIDE</p>
<p>RV24A01F-40</p> 	 <p>● 300° ROTATION MONO UNIT (SW ROTARY SWITCH) S.P.S.T. A.C 125V 1A</p> <p>SHAFT SHOWN IN FULL C.C.W. POSITION</p> <p>P.C.B. MOUNTING DETAIL VIEWED FROM MOUNTING SIDE</p>
<p>RV24A03F-40D2 MOQ:5,000pcs</p> 	 <p>● 300° ROTATION MONO UNIT WITH ROTARY SW S.P.S.T. AC 125V 1A</p> <p>SHAFT SHOWN IN FULL C.C.W. POSITION</p> <p>P.C.B. MOUNTING DETAIL (VIEWED FROM MOUNTING SIDE)</p>

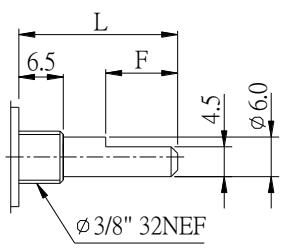
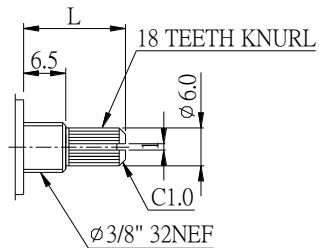
[Back to top](#)

24mm Rotary Type with Rotary Switch

■ Metal Shaft Type

RV24A01F																								
F Type A : 6.5mm	R Type A : 6.5mm	R1 Type A : 6.5mm																						
																								
<table border="1" style="margin: auto;"> <thead> <tr> <th>Order Code</th> <th>L</th> </tr> </thead> <tbody> <tr> <td>15F</td> <td>15</td> </tr> <tr> <td>20F</td> <td>20</td> </tr> <tr> <td>30F</td> <td>30</td> </tr> </tbody> </table>	Order Code	L	15F	15	20F	20	30F	30	<table border="1" style="margin: auto;"> <thead> <tr> <th>Order Code</th> <th>L</th> </tr> </thead> <tbody> <tr> <td>15R</td> <td>15</td> </tr> <tr> <td>20R</td> <td>20</td> </tr> <tr> <td>30R</td> <td>30</td> </tr> <tr> <td>40R</td> <td>40</td> </tr> </tbody> </table>	Order Code	L	15R	15	20R	20	30R	30	40R	40	<table border="1" style="margin: auto;"> <thead> <tr> <th>Order Code</th> <th>L</th> </tr> </thead> <tbody> <tr> <td>15R1</td> <td>15</td> </tr> </tbody> </table>	Order Code	L	15R1	15
Order Code	L																							
15F	15																							
20F	20																							
30F	30																							
Order Code	L																							
15R	15																							
20R	20																							
30R	30																							
40R	40																							
Order Code	L																							
15R1	15																							

■ Plastic Shaft Type

RV24A03F-40D2											
F Type A : 6.5mm	B Type A : 6.5mm										
	<table border="1" style="margin: auto;"> <thead> <tr> <th>Order Code</th> <th>L</th> </tr> </thead> <tbody> <tr> <td>25F</td> <td>25</td> </tr> </tbody> </table>	Order Code	L	25F	25		<table border="1" style="margin: auto;"> <thead> <tr> <th>Order Code</th> <th>L</th> </tr> </thead> <tbody> <tr> <td>16B</td> <td>16</td> </tr> </tbody> </table>	Order Code	L	16B	16
Order Code	L										
25F	25										
Order Code	L										
16B	16										

Design and specifications presented here are for the standard parts only. Please kindly contact us for your special requests and ask for the current technical specifications before purchase and/or use.

[Back to top](#)

Mouser Electronics

Authorized Distributor

Click to View Pricing, Inventory, Delivery & Lifecycle Information:

Alpha (Taiwan):

[RV24A01F-10-15R1-A13](#) [RV24A01F-10-15R1-A500K](#) [RV24A01F-10-15R1-A5K](#) [RV24A01F-10-15R1-A100K](#)
[RV24A01F-10-15R1-A54](#) [RV24A01F-10-15R1-A10K](#) [RV24A01F-10-15R1-B25K](#) [RV24A02F-10-15S1-B500K-LA](#)
[RV24A01F-10-15R1-A1M-3LA](#) [RV24A01F-10-15R1-A5K-3LA](#) [RV24A01F-10-15R1-B1M-3LA](#) [RV24A02F-10-15S1-](#)
[B50K-LA](#) [RV24A01F-10-15R1-A50K-3LA](#) [RV24A02F-10-15S1-B250K-LA](#) [RV24A01F-10-15R1-A500K-3LA](#)
[RV24A01F-10-15R1-B500K-3LA](#) [RV24A01F-10-15R1-A10K-3LA](#) [RV24A01F-10-15R1-B2.5K-3LA](#) [RV24A01F-10-](#)
[15R1-B250K-3LA](#) [RV24A01F-10-15R1-B5K-3LA](#) [RV24A01F-10-15R1-A100K-3LA](#) [RV24A02F-10-15S1-B1M-LA](#)
[RV24A01F-10-15R1-B10K-3LA](#) [RV24A02F-10-15S1-B25K-LA](#) [RV24A02F-10-15S1-B10K-LA](#) [RV24A01F-10-15R1-](#)
[B1K-3LA](#) [RV24A01F-10-15R1-B25K-3LA](#) [RV24A02F-10-15S1-B1K-LA](#) [RV24A01F-10-15R1-B100K-3LA](#) [RV24A02F-](#)
[10-15S1-B5K-LA](#) [RV24A02F-10-15S1-B100K-LA](#) [RV24A01F-10-15R1-B50K-3LA](#) [RV24A01F-10-15R1-B500_-3LA](#)
[RV24A01F-10-15R1-B500ohm-3LA](#)