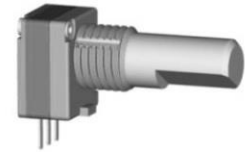


## 7mm Metal Shaft Rotary Encoder

### Application

- ✓ Audio, Home appliance, Precision Apparatus, Automotive, Communication, Industrial Control, etc.



### Feature

- ✓ Small size, Incremental Output Signal Encoder

### ■Specification

Rotation Angle	360° endless	
Rating Voltage	5V DC 10mA (I mA Min.)	
Operating Temperature	-20 °C~70 °C	
Rotational Torque	20 ~ 250 gf.cm 500 gf.cm Max.	0 to 70°C 0 to -20°C (with detent type)
Rotational Life	50,000 cycles	

### ■How to order

RE701F – 20(D) – 15F – 10P

Model

#### Resolution

Code	Pulses	Detent
10P	10	20

#### Terminal Type

Code	Terminal type	Switch
20	Horizontal	Without switch

#### Bushing Type (D)


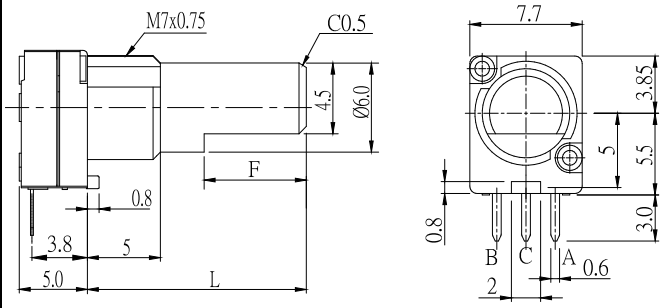
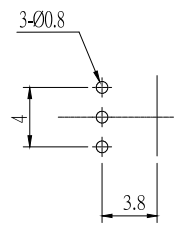
Code	Bushing Type (D)
B1	∅7mm 5mm

Shaft

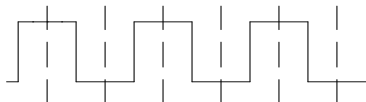
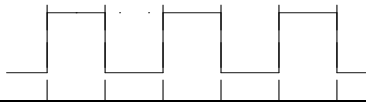
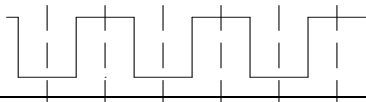
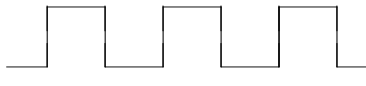
## 7mm Metal Shaft Rotary Encoder

### Model Description

Model	Terminal Type	Switch	Bushing Type (D)		Bushing Thread
<a href="#">RE701F-20B1</a>	Horizontal	Without Switch	Ø7mm	5mm	With thread

Order Code	Outline Drawing				
RE701F-20B1	   <table border="1" data-bbox="1257 985 1497 1086"> <tr> <td>L</td> <td>15</td> </tr> <tr> <td>F</td> <td>7</td> </tr> </table>	L	15	F	7
L	15				
F	7				

### Resolution and Output Signal

Model	Resolution (Pulses/Rotation)	Detent Number	Output Signal Format		
			Shaft Rotational Direction	Signal	Output
RE7	10/360°	20	C.W.	A (Terminal A-C)	OFF ON 
				B (Terminal B-C)	OFF ON 
	10/360°	20	C.C.W.	A (Terminal A-C)	OFF ON 
				B (Terminal B-C)	OFF ON 

Design and specifications presented here are for the standard parts only. Please kindly contact us for your special requests and ask for the current technical specifications before purchase and/or use.

[Back to top](#)

# Mouser Electronics

Authorized Distributor

Click to View Pricing, Inventory, Delivery & Lifecycle Information:

[Alpha \(Taiwan\):](#)

[RE701F-20B1-15F-10P-603](#)