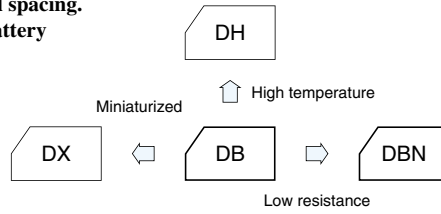


5.5V Standard Capacitors Series DB

- Small-sized, large capacity, excellent voltage holding.
- For all ratings, uniform 5mm pitch of terminal spacing.
- Wider temperature range(-25~+70°C) than battery makes periodic change unnecessary.
- ø13.5x7.5 l size can encase up to 0.33F.
- Ideal for backing up of CMOS's, microcomputers, RAM's and the like used in VCR's, tuners, TV sets, telephone sets and others.

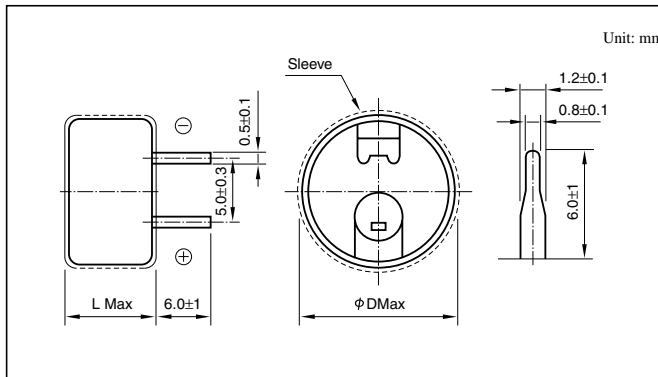


Marking color : White print on an indigo sleeve

Specifications

Item	Performance						
Category temperature range (°C)	-25 to +70						
Tolerance at rated capacitance (%)	-20 to +80						
Internal resistance at 1 kHz	Rated Capacitance (F)	0.047	0.1	0.22	0.33	0.47	1.0
	Internal resistance (Ω)	120	75	75	75	30	30
Characteristics at high and low temperature	Percentage of capacitance change	Within ±30% of the value at 20°C					
	Internal resistance	Less than five times of the value at 20°C					
Endurance (70°C)	Test time	1000 hours					
	Percentage of capacitance change	Within ±30% of the initial measured value					
	Internal resistance	Within four times of the initial specified value					
Shelf life (70°C)	Test time :1000 hours ; Same as endurance.						

Outline Drawing



Standard Ratings

Max. operating voltage(V)	Rated capacitance(F)	ELNA Parts No.	φ DxL(mm)
5.5	0.047	DB-5R5D473T	13.5x7.5
5.5	0.1	DB-5R5D104T	13.5x7.5
5.5	0.22	DB-5R5D224T	13.5x7.5
5.5	0.33	DB-5R5D334T	13.5x7.5
5.5	0.47	DB-5R5D474T	21.5x8.0
5.5	1.0	DB-5R5D105T	21.5x8.0

Part numbering system (example: 5.5V0.1F)

Environmental item	DB	5R5	D	104	T
	Series code	Rated voltage symbol		Rated capacitance symbol	
Former item	DB	5R5	D	104	
	Series code	Rated voltage symbol		Rated capacitance symbol	

5.5V Low Resistance Series DBN

- Internal resistance was reduced to 1/3 to DB series.
- It excels in rapid charge.

Specifications

Item	Performance	
Category temperature range (°C)	-25 to +70	
Tolerance at rated capacitance (%)	-20 to +80	
Internal resistance at 1 kHz	Rated Capacitance (F)	0.1
	Internal resistance (Ω)	25
Characteristics at high and low temperature	Percentage of capacitance change	Within ±30% of the value at 20°C
	Internal resistance	Less than five times of the value at 20°C
Endurance (70°C)	Test time	1000 hours
	Percentage of capacitance change	Within ±30% of the initial measured value
	Internal resistance	Within four times of the initial specified value
Shelf life (70°C)	Test time :1000 hours ; Same as endurance.	

Standard Ratings

Max. operating voltage(V)	Rated capacitance(F)	ELNA Parts No.	φ DxL(mm)
5.5	0.1	DBN-5R5D104T	13.5x7.5

Part numbering system (example: 5.5V0.1μF)

Environmental item	DBN	5R5	D	104	T
	Series code	Rated voltage symbol		Rated capacitance symbol	
Former item	DBN	5R5	D	104	
	Series code	Rated voltage symbol		Rated capacitance symbol	

NOTE
Design, Specifications are subject to change without notice.
Ask factory for technical specifications before purchase and/or use.

Mouser Electronics

Authorized Distributor

Click to View Pricing, Inventory, Delivery & Lifecycle Information:

[Elna:](#)

[DB-5R5D474](#) [DB-5R5D474T](#) [DB-5R5D473T](#) [DB-5R5D104T](#) [DB-5R5D105T](#) [DB-5R5D224T](#) [DBN-5R5D104T](#) [DBN-5R5D105T](#) [DBN-5R5D473T](#) [DBN-5R5D334T](#) [DBN-5R5D474T](#) [DBN-5R5D474ST](#) [DBN-5R5D224T](#) [DBN-5R5D155T](#)