



This product represents our selection of standard resistance weld type quartz crystals.

- OPTIONS:**
- extended temperature range
  - pullability
  - mylar spacer
  - vinyl sleeve
  - third ground lead
  - radial Tape and Reel (1,000 pcs)

## FEATURES

- Cost effective
- Excellent aging
- Wide frequency range
- Tight tolerances
- Excellent reliability
- "AT" cut crystal

## PART NUMBERING GUIDE *"EXAMPLE"*

	FREQUENCY (16.0000 MHz)	LOAD CAPACITANCE*	PACKAGE TYPE
ECS	- 160	- 20	- 1

\* Load capacitance (xx=xx pF, S= series resonance)  
 Note: See Product Selection Guide for additional options.

## OPERATING CONDITIONS/ELECTRICAL CHARACTERISTICS

PARAMETERS	CONDITIONS	MINIMUM	MAXIMUM	UNITS
FREQUENCY RANGE	$f_0$	1.800	100.000	MHz
FREQUENCY TOLERANCE	Ref @ +25°C	-30	+30	PPM
FREQUENCY STABILITY	Ta=-10°C ~ +70°C	-50	+50	PPM
OPERATING TEMPERATURE	T <sub>OPR</sub>	-10	+70	°C
STORAGE TEMPERATURE	T <sub>STG</sub>	-30	+85	°C
SHUNT CAPACITANCE	C <sub>0</sub>		7.0	pF
LOAD CAPACITANCE	C <sub>L</sub> (Customer Specified)	10.0	Series	pF
DRIVE LEVEL	1.800 ~ 3.000MHz, 3.000 ~ 100.000MHz		2.0, 1.0	mW
AGING (FIRST YEAR)	@ +25°C	-5.0	+5.0	PPM

## EQUIVALENT SERIES RESISTANCE / MODE OF OSCILLATION

FREQUENCY RANGE (MHz)	MODE	MAX ESR Ω	FREQUENCY RANGE (MHz)	MODE	MAX ESR Ω
1.800 ~ 1.999	Fundamental	750	5.000 ~ 5.999	Fundamental	50
2.000 ~ 2.399	Fundamental	500	6.000 ~ 7.999	Fundamental	40
2.400 ~ 2.999	Fundamental	300	8.000 ~ 9.999	Fundamental	35
3.000 ~ 3.199	Fundamental	200	10.000 ~ 12.499	Fundamental	30
3.200 ~ 3.699	Fundamental	120	12.500 ~ 15.999	Fundamental	25
3.700 ~ 4.199	Fundamental	100	16.000 ~ 25.000	Fundamental	20
4.200 ~ 4.899	Fundamental	70	23.000 ~ 100.000	3rd O/T	40
4.900 ~ 4.999	Fundamental	55			

## PACKAGE DIMENSIONS (mm)

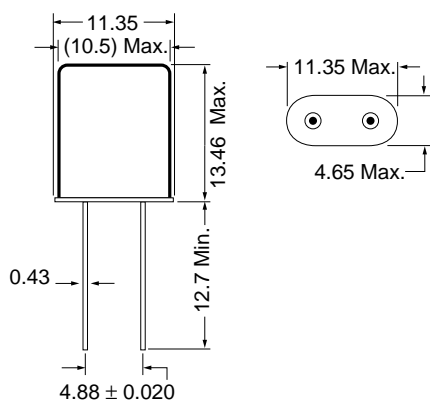


Figure 1) HC-49U - Side and Bottom views

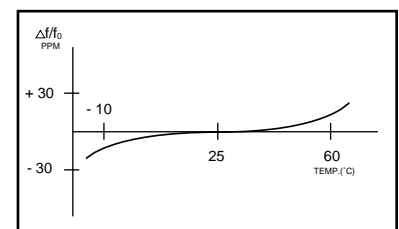


Figure 2) Frequency vs Temperature Curve

# Mouser Electronics

Authorized Distributor

Click to View Pricing, Inventory, Delivery & Lifecycle Information:

## ECS:

[ECS-40-20-1](#) [ECS-80-S-1](#) [ECS-18-S-1](#) [ECS-73-20-1](#) [ECS-200-20-1](#) [ECS-20.48-12-1](#) [ECS-150-S-1](#) [ECS-498.6-20-1](#) [ECS-36-S-1](#) [ECS-120-32-1](#) [ECS-40.3-20-1](#) [ECS-143-S-1](#) [ECS-65-12-1](#) [ECS-147.4-S-1](#) [ECS-240-S-1](#) [ECS-184-20-1](#) [ECS-135-S-1](#) [ECS-80-20-1](#) [ECS-32-17-1](#) [ECS-42-12-1](#) [ECS-352.5-18-1](#) [ECS-98.3-20-1](#) [ECS-147.4-20-1](#) [ECS-200-S-1](#) [ECS-52-32-1](#) [ECS-36-18-1](#) [ECS-160-S-1](#) [ECS-73-S-1](#) [ECS-196.6-S-1](#) [ECS-122.8-S-1](#) [ECS-20-20-1](#) [ECS-92.1-20-1](#) [ECS-121-S-1](#) [ECS-44-20-1](#) [ECS-60-32-1](#) [ECS-110.5-S-1](#) [ECS-110.4-S-1](#) [ECS-146-S-1](#) [ECS-98.3-S-1](#) [ECS-110.5-20-1](#) [ECS-52-S-1](#) [ECS-41-20-1](#) [ECS-61-32-1](#) [ECS-35-17-1](#) [ECS-24-32-1](#) [ECS-480-20-1](#) [ECS-50-S-1](#) [ECS-39-17-1](#) [ECS-110.5-32-1](#) [ECS-76.8-20-1](#) [ECS-120-S-1](#) [ECS-59-S-1](#) [ECS-50-20-1](#) [ECS-30-S-1](#) [ECS-184-S-1](#) [ECS-196.6-20-1](#) [ECS-40-S-1](#) [ECS-240-20-1](#) [ECS-115.2-S-1](#) [ECS-49-20-1](#) [ECS-25-S-1](#) [ECS-18-13-1](#) [ECS-221-S-1](#) [ECS-160-20-1](#) [ECS-20-S-1](#) [ECS-49-S-1](#) [ECS-51-S-1](#) [ECS-160.003-18-1](#) [ECS-122.8-20-1](#) [ECS-92.1-S-1](#) [ECS-60-S-1](#) [ECS-180-20-1](#) [ECS-35-S-1](#)