

AC Centrifugal Blowers Single Inlet, Ø108-120mm



ebm-papst Mulfingen

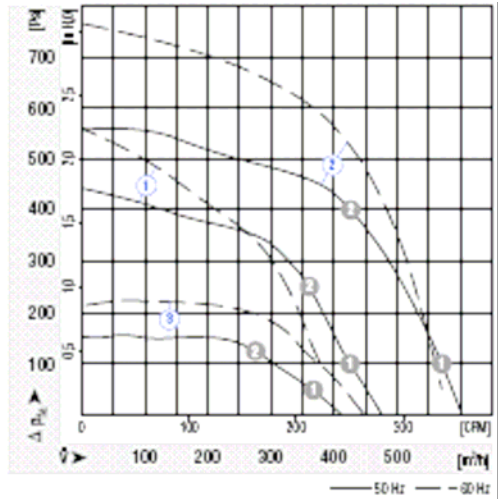
- High performance single inlet fans with an external rotor motor offering the advantage of matched motor and impeller in a compact space saving design.
- Motors: IP44 rated, sealed for life, maintenance free, class B insulation and precision ball bearings.
- Impeller: forward curved multi-vane type 'force' fitted for vibration free operation/efficient cooling.
- Scroll: die cast aluminium with motor capacitor, and terminal block May be mounted in any position

Nominal Data		Curve	Voltage	Frequency	Air Flow	Speed/rpm	Power Input	Current Draw	Noise	Perm. Amb. Temp.	Mass
Part Number	Curve	VAC	HZ	M ³ /h	min ⁻¹	W	A	DB(A)	°C	kg	
G2E160-AD03-50	2	230	50	600	2250	240	1.05	72	40	2.9	
			60	570	2250	280	1.23	71	40		

AC Centrifugal Blowers

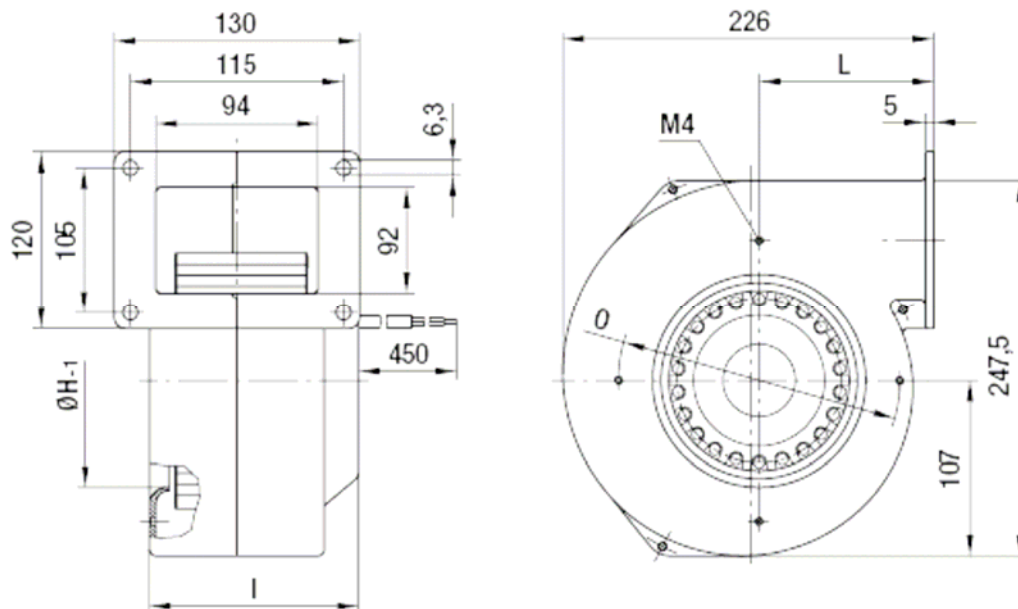
Dual Inlet, Ø160mm

Performance Curve



Dimensions

Part Number	H	I	L	O
G2E160-AD03-50	130	100	103	175



Mouser Electronics

Authorized Distributor

Click to View Pricing, Inventory, Delivery & Lifecycle Information:

[ebm-papst:](#)

[G2E160-AD03-50](#)