

max. 80 m<sup>3</sup>/h

# DC Radial Fans

Series RLF 100 127 x 127 x 25 mm



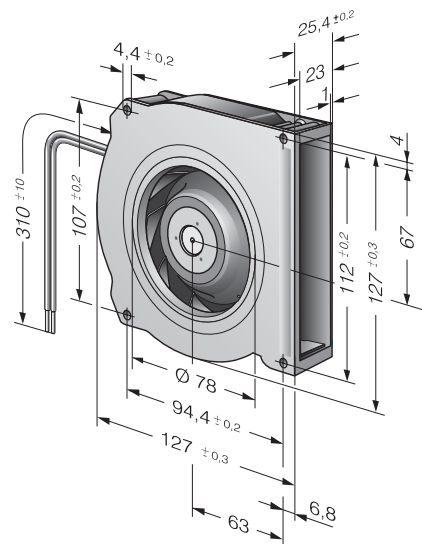
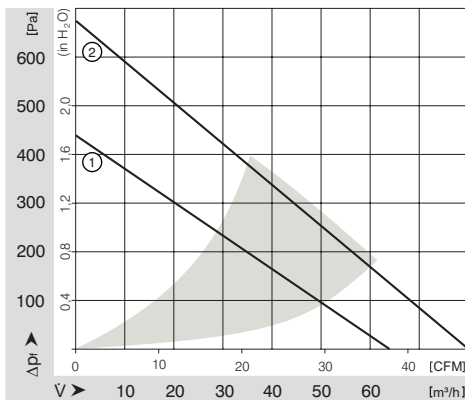
## Highlights:

- Very flat and powerful radial compact fans. Pressure-optimized blower.
- Optional Vario-Pro: Highly adaptable software configuration of the fan enables a tailor-made solution to the specific requirements of your applications.
- Some models available as standard with PWM control input and speed signal.
- Backward curved impeller.

## General characteristics:

- Fiberglass-reinforced plastic scroll housing and impeller. Housing base of galvanised steel plate.
- Fully integrated electronic commutation. Protected against reverse polarity and blocking.
- Direction of air flow: axial suction, radial air outlet.
- Electrical connection via single leads AWG 22, TR 64. Stripped and tinned ends.
- Mass: 320 g.

Nominal Data	Air Flow		Nominal Voltage	Voltage Range	Sound Power	Sinter-Sleeve Bearings Ball Bearings	Power Input	Nominal Speed	Temperature Range	Service Life L <sub>10</sub> (40 °C) ebm-papst Standard	Service Life L <sub>10</sub> (T <sub>max</sub> ) ebm-papst Standard	Life expectancy L <sub>10</sub> Δ (40 °C)	Curve	Specials
	m <sup>3</sup> /h	CFM												
RLF 100-11/12	64	37.7	12	8...15	6.4	■	8.0	5 100	-20...+75	80 000 / 30 000	150 000	150 000	1	/2
RLF 100-11/14	64	37.7	24	16...30	6.4	■	8.0	5 100	-20...+75	80 000 / 30 000	150 000	150 000	1	/19
RLF 100-11/18	64	37.7	48	36...60	6.4	■	8.6	5 100	-20...+75	80 000 / 30 000	150 000	150 000	1	
High Speed models with Open Collector Tacho and PWM speed control.														
NEW RLF 100-11/12/2HP-200	80	47.1	12	10...13.2	7.5	■	18.6	6 400	-20...+60	72 500 / 45 000	112 500	112 500	2	/2
NEW RLF 100-11/18/2HP-182	80	47.1	48	43...53	7.5	■	17.0	6 400	-20...+70	72 500 / 35 000	112 500	112 500	2	/2



# Mouser Electronics

Authorized Distributor

Click to View Pricing, Inventory, Delivery & Lifecycle Information:

[ebm-papst:](#)

[RLF100-11/18/2HP](#) [RLF100-11/14/2U](#)