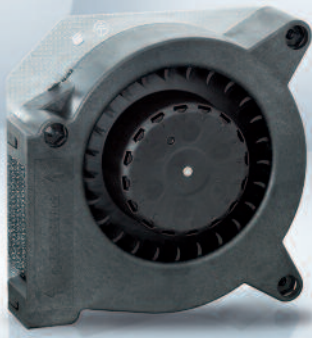


Max. 55 m<sup>3</sup>/h

# DC centrifugal fans

□ 121 x 37 mm



- **Material:** Scroll housing: GRP<sup>1)</sup>  
Impeller: GRP<sup>1)</sup>  
Base plate: Sheet steel
  - **Direction of air flow:** Axial: Intake,  
Centrifugal: Exhaust
  - **Connection:** via single wires AWG 22, TR 64
  - **Highlights:** Forward-curved impeller
  - **Weight:** 420 g
- **Possible special versions:** (See chapter DC fans - specials)
    - Speed signal
    - Go / NoGo alarm
    - Alarm with speed limit
    - External temperature sensor
    - Internal temperature sensor
    - PWM control input
    - Analog control input
    - Moisture protection
    - Salt spray protection
    - Degree of protection: IP 54 / IP 68

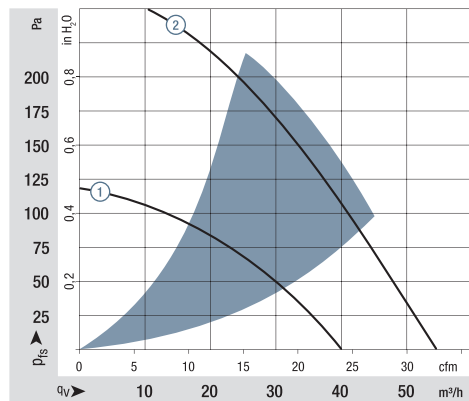
1) Fiberglass-reinforced plastic

Series RL 90 N

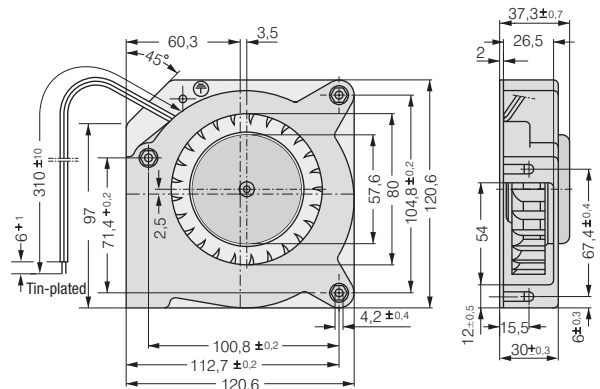
Nominal data

Type	Air flow		Nominal voltage	Voltage range		Sound power level	Sintec sleeve bearings Ball bearings	Power consumption	Nominal speed	Temperature range	Service life L <sub>10</sub> (40 °C) ebm-papst standard	Service life L <sub>10</sub> (T <sub>max</sub> ) ebm-papst standard	Life expectancy L <sub>10</sub> IPC (40 °C) see page 17	Curve
	m <sup>3</sup> /h	cfm		VDC	VDC									
RL 90-18/12 N	40	23.5	12	7...15	5.8	■	6.3	2 500	-30...+75	62 500 / 27 500	105 000	①		
RL 90-18/14 NG	40	23.5	24	12...28	5.8	□	5.6	2 500	-20...+75	62 500 / 27 500	105 000	①		
RL 90-18/14 N	40	23.5	24	12...28	5.8	■	5.6	2 500	-30...+75	62 500 / 27 500	105 000	①		
RL 90-18/18 NH	55	32.4	48	36...53	6.9	■	14.7	3 500	-30...+65	32 500 / 17 500	55 000	②		

Subject to change



Air performance measured according to: ISO 5801.  
Installation category A, without contact protection.  
Noise: Total sound power level L<sub>WA</sub> ISO 103002 measured on a hemisphere with a radius of 2 m; Sound pressure level L<sub>PA</sub> measured at 1 m distance from fan axis.  
The acoustic values are only valid for the described measurement setup and may vary depending on the installation situation.  
In the event of deviation from the standard configuration, the parameters must be checked after installation!  
For detailed information see <http://www.ebmpapst.com/general-conditions>



Screw clip M4 or 8-32UNC. Screw-in depth max. 12.5 min. 9.0

# Mouser Electronics

Authorized Distributor

Click to View Pricing, Inventory, Delivery & Lifecycle Information:

[ebm-papst:](#)

[RL90-18/12N](#) [RL90-18/14N](#) [RL90-18/14NG](#) [RL90-18/18NH](#)