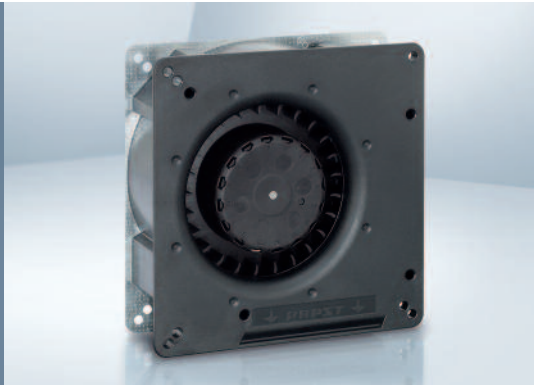


Max. 54 m<sup>3</sup>/h

# AC centrifugal fans

□ 135 x 38 mm



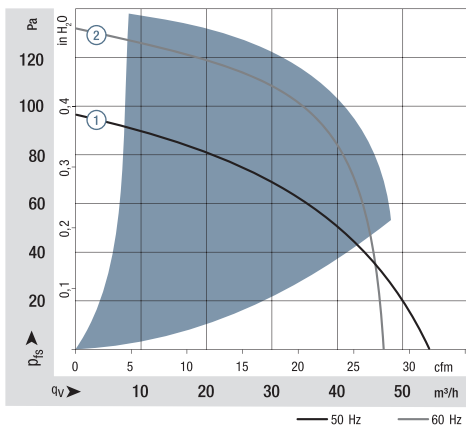
- **Material:** Scroll housing: GRP<sup>1)</sup> (PBT)  
Impeller: GRP<sup>1)</sup> (PA)  
Housing base: Sheet steel
  - **Direction of air flow:** Centrifugal: discharge through window in housing
  - **Direction of rotation:** Clockwise, looking towards rotor
  - **Connection:** To 2 single wires AWG 22.
  - **Highlights:** Forward-curved impeller
  - **Weight:** 560 g
- **Possible special versions:** (See page 12)
    - Moisture protection
    - Salt spray protection
    - Degree of protection: IP 54

1) Fiberglass-reinforced plastic

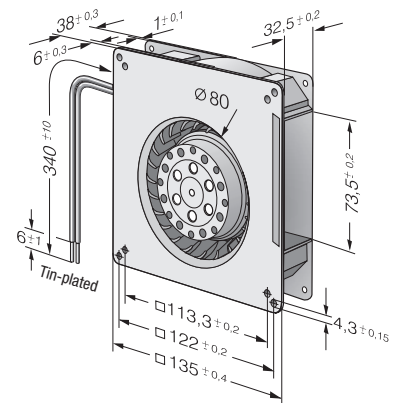
## Series RG 90

| Nominal data | Air flow          |     | Nominal voltage | Frequency | Sound power level | Sinter sleeve bearings |      | Power consumption | Nominal speed | Temperature range | Service life L <sub>10</sub> |       | Curve |
|--------------|-------------------|-----|-----------------|-----------|-------------------|------------------------|------|-------------------|---------------|-------------------|------------------------------|-------|-------|
|              | m <sup>3</sup> /h | cfm |                 |           |                   | VAC                    | Hz   |                   |               |                   | Bel(A)                       | □ / ■ |       |
| RG 90-18/50  | 54                | 32  | 230             | 50        | 5.8               | □                      | 22.0 | 2 200             | -30...+60     | 35 000 / 22 500   | ①                            |       |       |
| RG 90-18/56  | 54                | 32  | 230             | 50        | 5.8               | ■                      | 22.0 | 2 200             | -30...+60     | 35 000 / 22 500   | ①                            |       |       |
| RG 90-18/00  | 47                | 28  | 115             | 60        | 6.2               | □                      | 22.0 | 1 900             | -30...+65     | 35 000 / 20 000   | ②                            |       |       |
| RG 90-18/06  | 47                | 28  | 115             | 60        | 6.2               | ■                      | 22.0 | 1 900             | -30...+65     | 35 000 / 20 000   | ②                            |       |       |

Subject to change



Air performance measured according to: ISO 5801.  
Installation category A, without contact protection.  
Noise: Total sound power level L<sub>WA</sub> ISO 103002 measured on a hemisphere with a radius of 2 m.  
Sound pressure level L<sub>pA</sub> measured at 1 m distance from fan axis.  
The values given are applicable only under the specified measuring conditions and may differ depending on the installation conditions.  
In the event of deviation from the standard configuration, the parameters must be checked after installation!  
For detailed information see [http://www.ebmpapst.com/general\\_conditions](http://www.ebmpapst.com/general_conditions)



# Mouser Electronics

Authorized Distributor

Click to View Pricing, Inventory, Delivery & Lifecycle Information:

[ebm-papst:](#)

[RG90-18/06](#) [RG90-18/50](#) [RG90-18/56](#)