

max. 1080 m³/h

DC Radial Blower

Series RER 190 TD 190 Ø x 69 mm



Highlights:

- 3-phase fan drive with high degree of running smoothness.
- High pressure build-up.
- Backward curved impeller.
- Standard with PWM control input and speed signal, additional inputs and outputs on request.

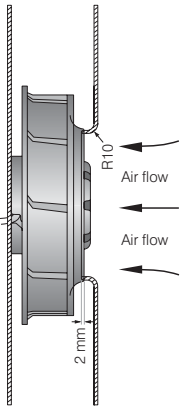
General characteristics:

- Fiberglass-reinforced plastic impeller.
- Fully integrated electronic commutation.
- Direction of rotation: clockwise seen on rotor.
- Direction of air flow: axial suction, radial air outlet.
- Electrical connection via single leads AWG 20, TR 64, speed signal and control input AWG 22. Stripped and tinned ends.
- Mass: 820 g

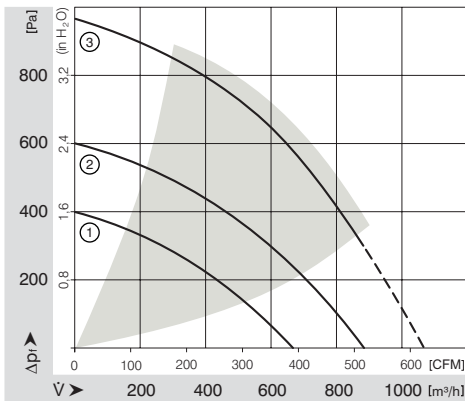
Nominal Data	Air Flow		Nominal Voltage	Voltage Range	Sound Power	Sinter-Sleeve Bearings Ball Bearings	Power Input	Nominal Speed	Temperature Range	Service Life L ₁₀ (40 °C) ebm-papst Standard	Service Life L ₁₀ (T _{max}) ebm-papst Standard	Life expectancy L _{10Δ} (40 °C)	Curve	Specials
	m ³ /h	CFM												
RER 190-45/14/2 TDMLP	660	388.2	24	16...30	tbd	■	58	3 000	-20...+60	tbd / tbd	tbd	tbd	1	
RER 190-45/14/2 TDMP	880	517.6	24	16...36	7.9	■	114	3 900	-20...+65	52 500 / 30 000	105 000	105 000	2	
RER 190-45/18/2 TDMLP	660	388.2	48	36...57	tbd	■	56	3 000	-20...+65	tbd / tbd	tbd	tbd	1	
RER 190-45/18/2 TDMP*	880	517.6	48	36...72	7.9	■	114	3 900	-20...+65	52 500 / 30 000	105 000	105 000	2	
RER 190-45/18/2 TDP	1080	635.7	48	36...72	8.3	■	192	4 600	-20...+65	42 500 / 22 500	80 000	80 000	3	

* Preliminary Data

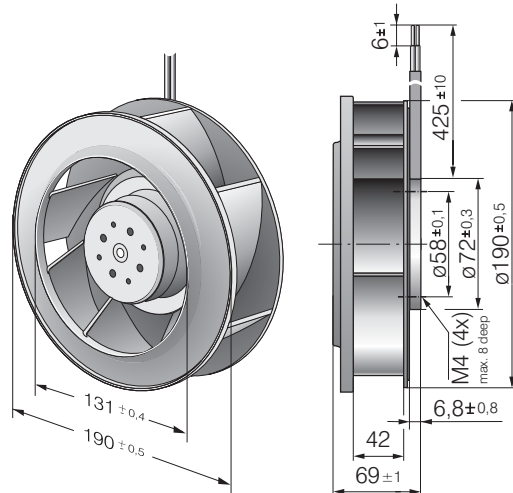
Speed control range from 800 min⁻¹ at 7 % PWM up to nominal speed at > 90 % PWM. Stationary at 0 % PWM, maximum speed at interruption of control wire.



The air flow and noise level of fans without external housing depends on the installation conditions. The stated air flow and noise levels have been measured under the following conditions:
Centrifugal fan mounted on a base plate 195 x 195 mm.
Cover plate 195 x 195 mm with an air-inlet of Ø 125,5 mm, concentric to the blower wheel.



Short term operation at room temperature allowable in the dotted area of the performance curve only. Below 4000 rpm the fan can be operated without restrictions.



Mouser Electronics

Authorized Distributor

Click to View Pricing, Inventory, Delivery & Lifecycle Information:

[ebm-papst:](#)

[RER190-45/18/2TDP](#) [RER190-45/14/2TDMP](#) [RER190-45/18/2TDMLP](#) [RER190-45/14/2TDMLP](#) [RER190-45/18/2TDMP](#)