

Max. 565 m³/h
S-Force

DC centrifugal fans

Ø 133 x 91 mm



- **Material:** Impeller: GRP¹⁾
 - **Direction of air flow:** Axial: Intake, Centrifugal: Exhaust
 - **Direction of rotation:** Clockwise, looking towards rotor
 - **Connection:** via single wires AWG 18, 20 or AWG 22, TR 64. Speed signal and control input AWG 22
 - **Highlights:** Highly efficient and smoothly operating 3-phase fan drive Backward-curved impeller
 - **Weight:** 890 g
- **Possible special versions:** (See chapter DC fans - specials)
 - Speed signal
 - Go / NoGo alarm
 - Alarm with speed limit
 - External temperature sensor
 - Internal temperature sensor
 - PWM control input
 - Analog control input
 - Multi-option control input
 - Moisture protection
 - Salt spray protection
 - Degree of protection: IP 54

1) Fiberglass-reinforced plastic

Series RER 133 TD

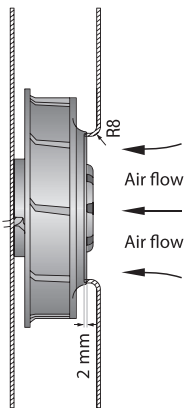
Nominal data

| Type | Air flow | | Nominal voltage | Voltage range | Sound power level | Sinter sleeve bearings Ball bearings | Power consumption | Nominal speed | Temperature range | Service life L ₁₀ (40 °C) ebm-papst standard | Service life L ₁₀ (T _{max}) ebm-papst standard | Life expectancy L ₁₀ IPC (40 °C) see page 17 | Curve |
|-----------------------|-------------------|-----|-----------------|---------------|-------------------|---|-------------------|---------------|-------------------|--|--|--|-------|
| | m ³ /h | cfm | | | | | | | | | | | |
| RER 133-41/14/2 TDMP | 460 | 271 | 24 | 16...30 | tbd | ■ | 58 | 5 000 | -20...+65 | 72 500 / 40 000 | 122 500 | ① | |
| RER 133-41/14/2 TDP* | 565 | 332 | 24 | 16...36 | tbd | ■ | 90 | 6 000 | -20...+65 | 70 000 / 37 500 | 117 500 | ② | |
| RER 133-41/18/2 TDMP* | 460 | 271 | 48 | 36...57 | tbd | ■ | 50 | 5 000 | -20...+65 | 72 500 / 40 000 | 122 500 | ① | |
| RER 133-41/18/2 TDP | 565 | 332 | 48 | 36...72 | 8.2 | ■ | 87 | 6 000 | -20...+65 | 70 000 / 37 500 | 117 500 | ② | |

Subject to change

* On request

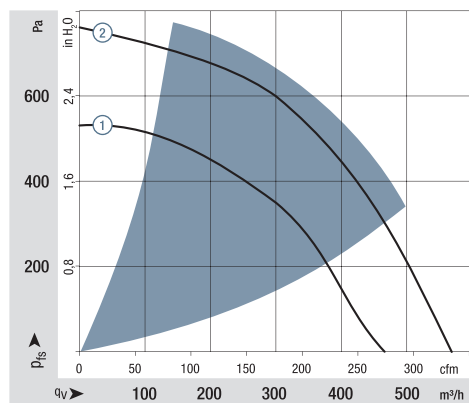
Speed control range from 800 rpm⁻¹ at 7% PWM up to nominal speed at > 90% PWM.
Standstill at 0% PWM, maximum speed if control cable is interrupted.



The air flow and sound level of the centrifugal fans without external housing depend on their individual installation conditions.

The stated air flow and sound level were recorded under the following measurement parameters:
Centrifugal fan mounted on a foundation plate
140 x 140 mm.

Cover plate 140 x 140 mm, with an air inlet opening
Ø 87 mm, arranged concentrically to the impeller.

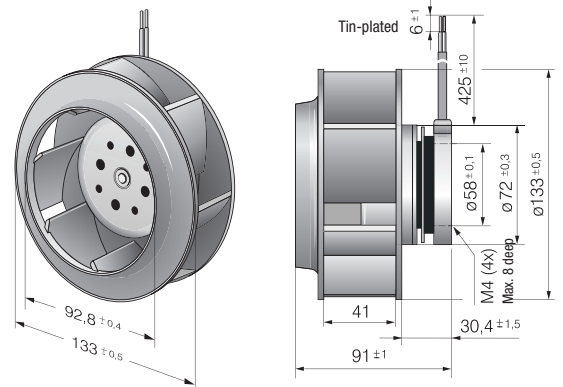


Air performance measured according to: ISO 5801. Installation category A, with ebm-papst inlet ring without contact protection.

Noise: Total sound power level L_{WA}
ISO 103002 measured on a hemisphere with a distance of 2 m;
Sound pressure level L_{pA} measured at 1 m distance from fan axis.

The values given are applicable only under the specified measuring conditions and may differ depending on the installation conditions.
In the event of deviation from the standard configuration, the parameters must be checked after installation!

For detailed information see
<http://www.ebmpapst.com/general conditions>



Mouser Electronics

Authorized Distributor

Click to View Pricing, Inventory, Delivery & Lifecycle Information:

[ebm-papst:](#)

[RER133-41/18/2TDP](#) [RER133-41/14/2TDMP](#) [RER133-41/14/2TDP](#) [RER133-41/18/2TDMP](#)