

R1G175 Series

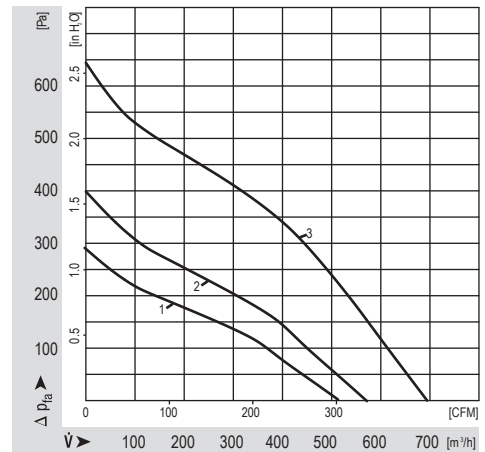
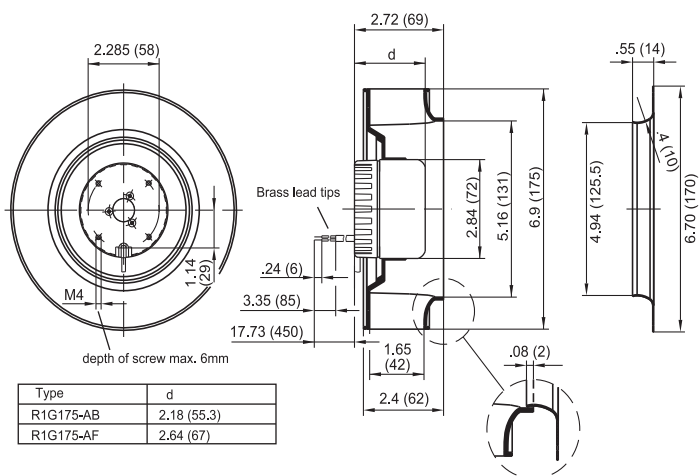
Motorized Impeller

Ø 175mm Backward Curved



- These centrifugal fans have backward curved blades offering an extremely good aerodynamic efficiency
- Impeller completely made of plastic PA 6.6, injection-molded round sheet-metal plate.
- Wiring connection:
A. Red..., Blue..., White...
B. Red..., Blue..., White..., Yellow...
- Integrated electronics with reverse polarity and locked-rotor protection. Rotation is CW. Tach Output. Cable exit: variable.
- UL, CSA, VDE approvals on most models, please contact application engineering.
- Recommended inlet ring: 09576-2-4013.

Part Number	Curve	CFM @ 0	VDC	Volt. Range	Power (W)	dBA	Max Amb. Temp C	Bearing Type	Impeller Material	Wiring	Wgt. (lbs)
R1G175-AB75-24	1	301	12	8 to 14	27	66	60	Ball	Plastic	A	1.54
R1G175-AB63-02	2	330	24	16 to 28	34	65	60	Ball	Plastic	B	1.63
R1G175-AB41-02	2	330	48	36 to 57	34	65	60	Ball	Plastic	B	1.75
R1G175-AF29-04	3	409	48	36 to 52	75	72	40	Ball	Plastic	B	2.20



Mouser Electronics

Authorized Distributor

Click to View Pricing, Inventory, Delivery & Lifecycle Information:

[ebm-papst:](#)

[R1G175-AB63-02](#) [R1G175-AB41-02](#) [R1G175-AB75-24](#) [R1G175-AF29-04](#) [R1G175-AB41-13](#) [R1G175-AB63-41](#)