

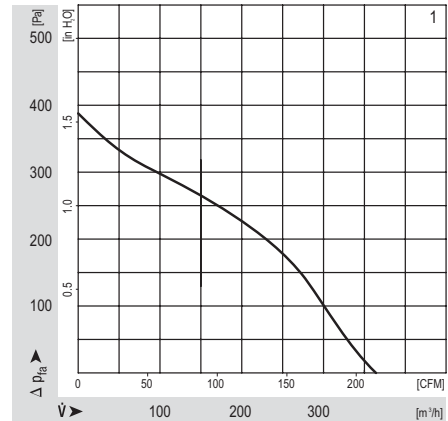
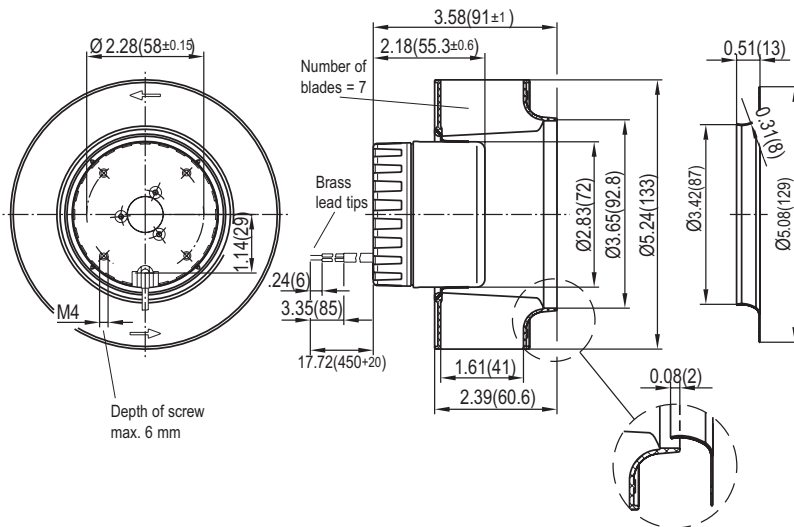


R1G133AA Series Motorized Impeller

Ø 133mm Backward Curved

- These centrifugal fans have backward curved blades offering an extremely good aerodynamic efficiency
- Impeller completely made of plastic PA 6.6, injection-molded round sheet-metal plate.
- Wiring connection: Red = + ; Blue = - ; White = Tach Output; Yellow = Speed Control
- Integrated electronics with reverse polarity and locked-rotor protection. Rotation is CW. Tach Output. Cable exit: variable.
- UL, CSA, VDE approvals on most models, please contact application engineering.
- Recommended inlet ring: 9566-2-4013

Part Number	Curve	CFM @ 0	VDC	Volt. Range	Power (W)	dBA	Max. Amb. Temp C	Impeller Material	Speed (RPM)	Wgt. (lbs)
R1G133-AA61-14	1	212	12	8 to 14	28	63	60	Plastic	3900	1.54
R1G133-AA17-02	1	212	24	16 to 28	28	63	60	Plastic	3900	1.54
R1G133-AA65-02	1	212	48	36 to 57	28	63	60	Plastic	3900	1.54



Mouser Electronics

Authorized Distributor

Click to View Pricing, Inventory, Delivery & Lifecycle Information:

[ebm-papst:](#)

[R1G133-AA17-02](#) [R1G133-AA65-02](#) [R1G133-AA61-14](#) [R1G133-AA65-36](#)