

Max. 180 m³/h

AC axial fans

□ 119 x 38 mm



- **Material:** Housing: Die-cast aluminum
Impeller: painted sheet steel
- **Direction of air flow:** Exhaust over struts
- **Direction of rotation:** Clockwise, looking towards rotor
- **Connection:** Via 2 flat plugs 2.8 x 0.5 mm grounding lug for M4 x 8
- **Weight:** 540 g

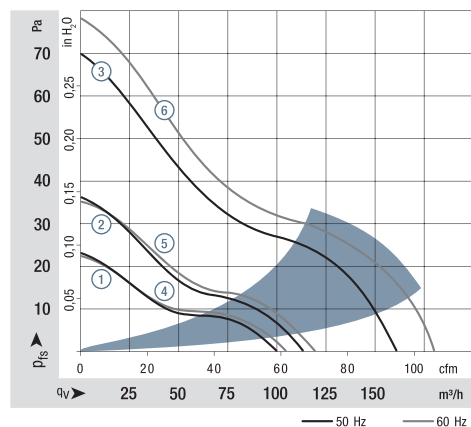
- **Possible special versions:** (See page 12)
 - Speed signal
 - Moisture protection
 - Salt spray protection
 - Degree of protection: IP 54 / IP 65

- **Note:**
Please note our new ACmaxx series.
With identical mounting dimensions and voltages, this series achieves greater energy efficiency.
See page 192.

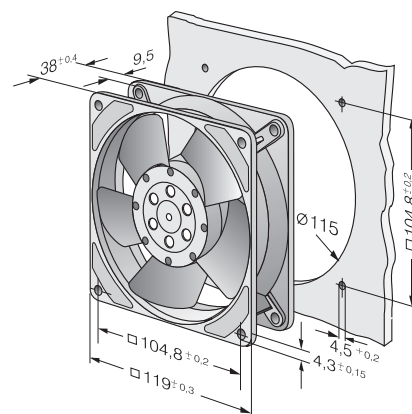
Series 4000 Z

Nominal data	Air flow		Nominal voltage	Frequency	Sound pressure level	Sound power level	Sinter sleeve bearings Ball bearings	Power consumption	Nominal speed	Temperature range	Service life L ₁₀		Curve
	m ³ /h	cfm									VAC	Hz	
4850 Z	100	58.8	230	50	26	4.0	□	13.0	1 700	-10...+65	50 000 / 27 500		①
4856 Z	100	58.8	230	50	26	4.0	■	13.0	1 700	-40...+75	50 000 / 20 000		①
4580 Z	115	67.6	230	50	30	4.3	□	13.0	1 900	-10...+65	50 000 / 27 500		②
4586 Z	115	67.6	230	50	30	4.3	■	13.0	1 900	-40...+75	50 000 / 20 000		②
4650 Z	160	94.1	230	50	40	5.3	□	19.0	2 650	-10...+50	37 500 / 30 000		③
4656 Z	160	94.1	230	50	40	5.3	■	19.0	2 650	-40...+75	37 500 / 17 500		③
4800 Z	105	61.7	115	60	28	4.1	□	12.0	1 800	-10...+70	52 500 / 25 000		④
4806 Z	105	61.7	115	60	28	4.1	■	12.0	1 800	-40...+75	52 500 / 17 500		④
4530 Z	120	70.5	115	60	32	4.4	□	12.0	2 000	-10...+70	52 500 / 25 000		⑤
4536 Z	120	70.5	115	60	32	4.4	■	12.0	2 000	-40...+75	52 500 / 17 500		⑤
4600 Z	180	106	115	60	45	5.6	□	18.0	3 100	-10...+60	40 000 / 25 000		⑥
4606 Z	180	106	115	60	45	5.6	■	18.0	3 100	-40...+85	40 000 / 15 000		⑥

Subject to change



Air performance measured according to: ISO 5801.
Installation category A, without contact protection.
Noise: Total sound power level L_{WA} ISO 103002 measured on a hemisphere with a radius of 2 m.
Sound pressure level L_{pA} measured at 1 m distance from fan axis.
The values given are applicable only under the specified measuring conditions and may differ depending on the installation conditions.
In the event of deviation from the standard configuration, the parameters must be checked after installation!
For detailed information see <http://www.ebmpapst.com/general-conditions>



Mouser Electronics

Authorized Distributor

Click to View Pricing, Inventory, Delivery & Lifecycle Information:

[ebm-papst:](#)

[4530Z](#) [4530ZW](#) [4536Z](#) [4600ZW](#) [4606ZW](#) [4624ZW](#) [4800ZW](#) [4806Z](#) [4606Z](#) [4650Z](#) [4656Z](#) [4800Z](#) [4600Z](#)
[4656EZO](#) [4606ZH](#) [4656ZW](#) [4850Z](#) [4580Z](#) [4580ZW](#) [4856Z](#)