

5.0 Gbps USB 3.0 Compatible Single Switch
Features

- USB 3.0 Signal Switch
- 2 Differential Channel, 2:1 Mux/DeMux
- -3dB BW of 4.1GHz
- Low Bit-to-Bit Skew, 6ps max
- Low Insertion Loss: -2.0dB@2.5GHz(5.0Gbps)
- Low Crosstalk: -41dB@2.5GHz (5.0Gbps)
- Low Off Isolation: -22dB@2.5GHz (5.0Gbps)
- V_{DD} Operating Range: 1.5V or 1.8V
- ESD Tolerance 2KV HBM I/O
- Packaging (Pb-free & Green):
 - 28-Pin TQFN (ZH, 3.5 × 5.5mm)

Description

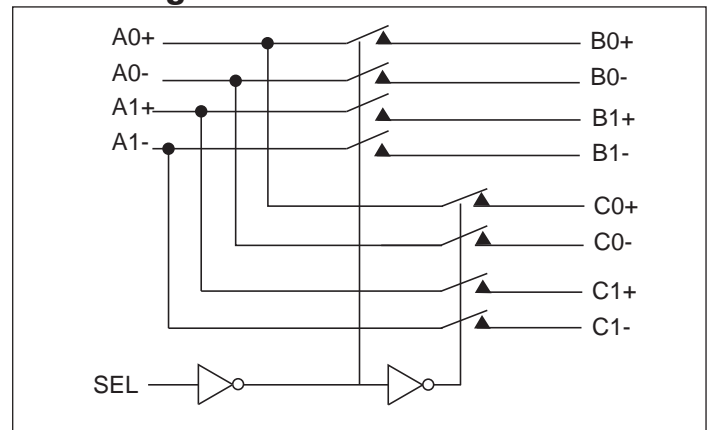
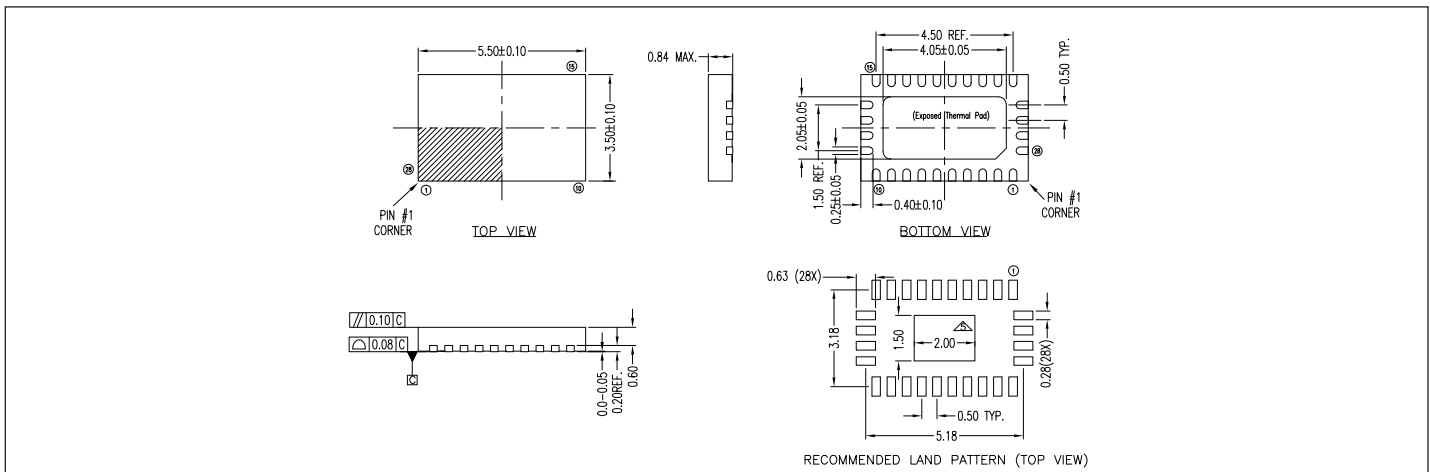
Pericom Semiconductor's PI2USB3212 is a 1 to 2 bi-directional differential channel multiplexer/demultiplexer switch supporting 5.0 Gbps applications, such as USB 3.0. Due to its low bit-to-bit skew, high channel-to-channel noise isolation and high bandwidth, this product is ideal for switching two sources to a single receiver, or alternatively, one source to two receivers.

Application

- USB 3.0, XAUI, Infiniband, Rapid I/O PCIe® 2.0.
- Computers, servers, storage, instrumentation, telecom, networking.

Truth Table

Function	SEL
A to B	L
A to C	H

Block Diagram

Package Mechanical: 28-Pin, TQFN (ZH)

Ordering Information

Ordering Code	Package Code	Package Type
PI2USB3212ZHE	ZH	Pb-free & Green, 28-Contact TQFN

1. Thermal characteristics can be found on the company web site at www.pericom.com/packaging/
2. E = Pb-free and Green
3. Adding an X Suffix = Tape/Reel

Mouser Electronics

Authorized Distributor

Click to View Pricing, Inventory, Delivery & Lifecycle Information:

[Diodes Incorporated:](#)

[PI2USB3212ZHEX](#) [PI2USB3212ZHE](#)