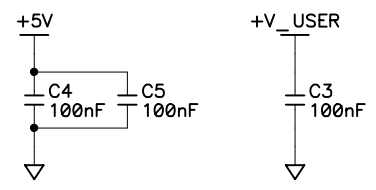


REVISION HISTORY			REVISION APPROVAL			
REV	ECO	DESCRIPTION	PROJECT ENGINEER	APPROVAL DATE	DOCUMENT CONTROL	APPROVAL DATE
A	E11266	INITIAL RELEASE A/W @ REV-A	XT	11/21/00	KIS	11/21/00
B	E11776	CORRECTED REFERENCE DESIGNATORS.	XT	12/19/01	KIS	12/19/01

TABLE A

REF DES	DEVICE	DEVICE VOLTAGE INFORMATION					DEVICE: FILTER CAP REF DES(s)
		AGND	GND	+5V	+V_USER	NO CONNECTS	
U1	7812						
U2	LM311		4		8		C10
U3	74AHC32		3	5			C11
U4	74HC259		8	16			C12

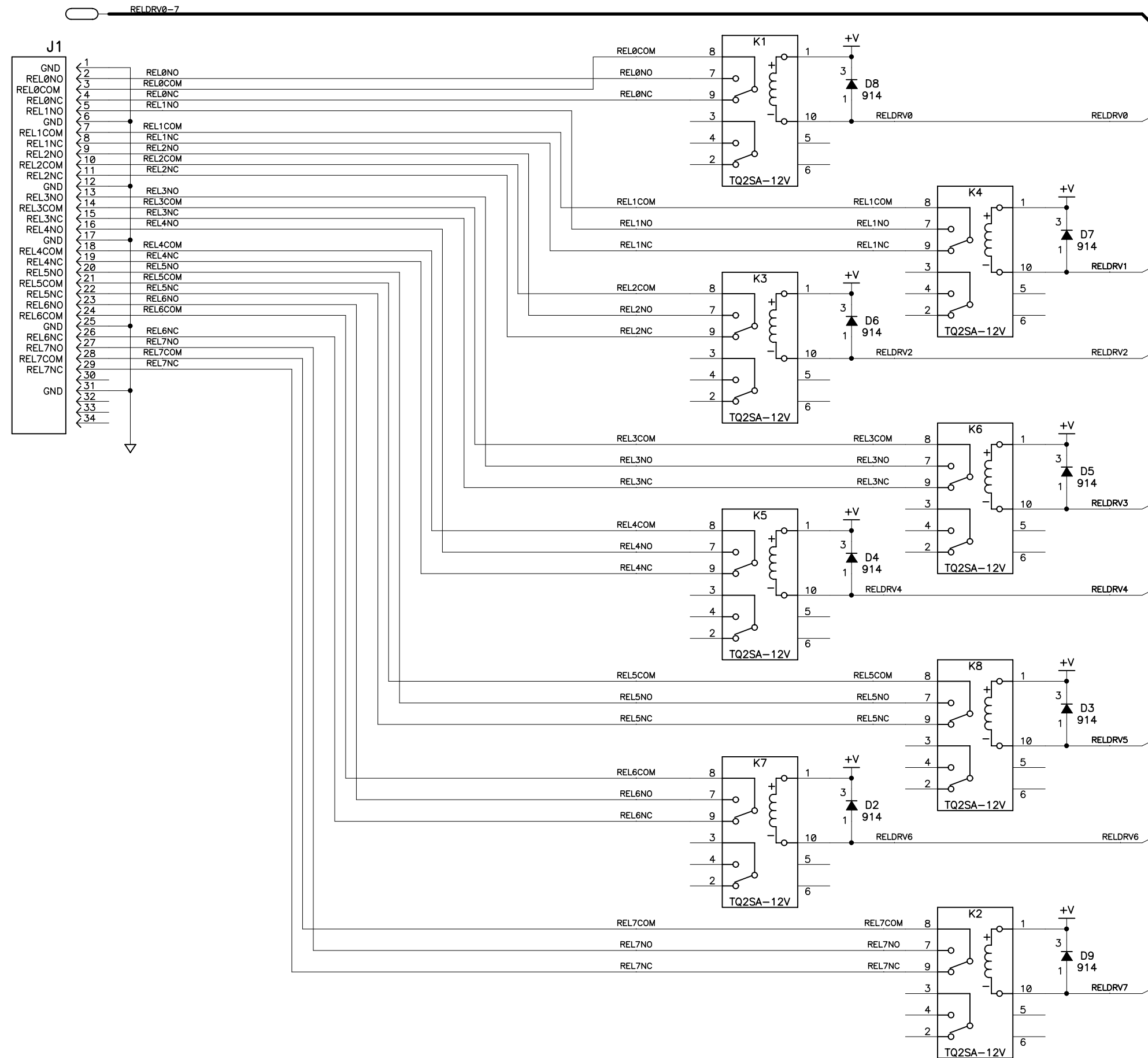


- NOTES: UNLESS OTHERWISE SPECIFIED;
1. ALL RESISTOR VALUES ARE IN OHMS, 1/10W, 5%
 2. ALL CAPACITORS ARE 50VDC OR HIGHER.
 3. THE ORIGINATION SOURCE OF A VOLTAGE IS REPRESENTED BY (VCC), AND ALL REFERENCES TO THAT VOLTAGE ARE REPRESENTED BY (VCC).

COPYRIGHT 2001, Z-WORLD, INC.

APPEND THE FOLLOWING DOCUMENTS WHEN CHANGING THIS DOCUMENT:		DRAWING CONTENT:		TITLE	
		DRAWN BY: (INITIAL RELEASE)	REP	SCHEMATIC DIAGRAM	
		REVISOR:	XUAN TRUONG	SR9510 RELAY 8 BOARD	
		DATE:	11/21/00	Z-WORLD	
		APPROVALS: INITIAL RELEASE		2900 SPAFFORD ST.	
		PROJECT ENGINEER:	Xuan Truong	DAVIS, CA 95616	
		ENGINEERING MANAGER:	R. Matthews	530 - 757 - 4616	
		SIGNATURES	DATE	SIZE	DWG NO.
			11/21/00	B	090-0108
				SCALE	RELEASE DATE
				NONE	
				SHEET	1 OF 2

USER INTERFACE



COPYRIGHT 2001, Z-WORLD, INC.

18DEC01

SIZE B	DWG NO. 090-0108
SCALE NONE	REV LTR B
SHEET 2	OF 2

Mouser Electronics

Authorized Distributor

Click to View Pricing, Inventory, Delivery & Lifecycle Information:

DIGI:

[20-101-0440](#)