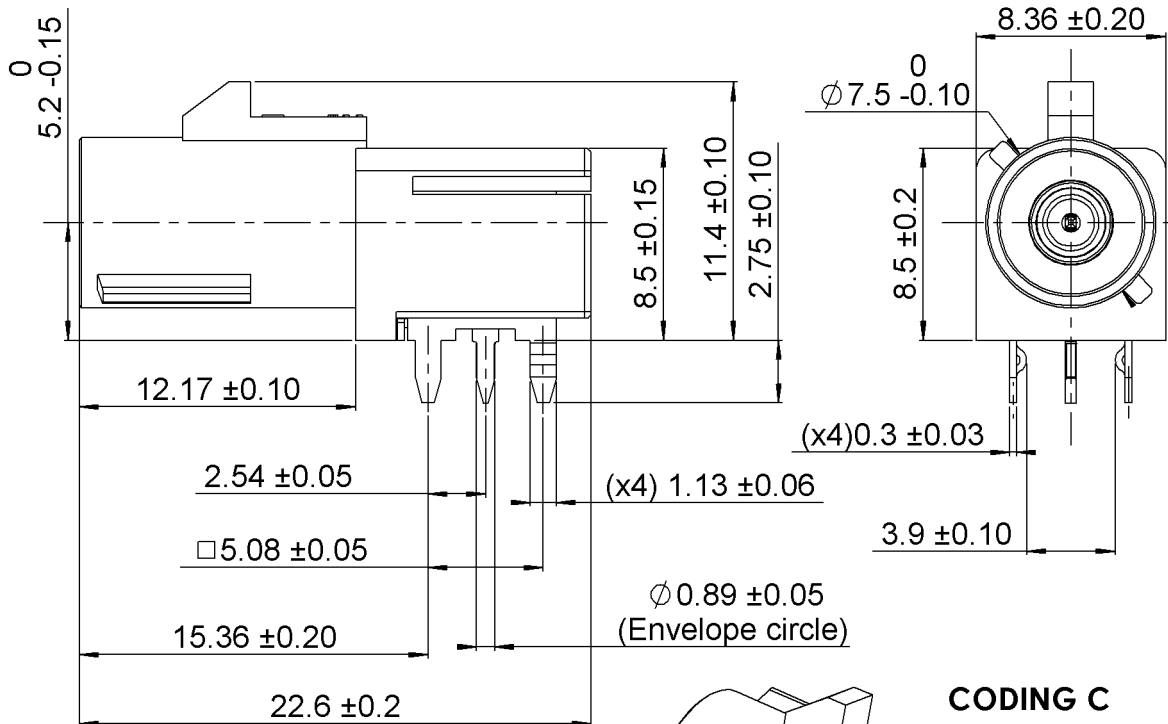


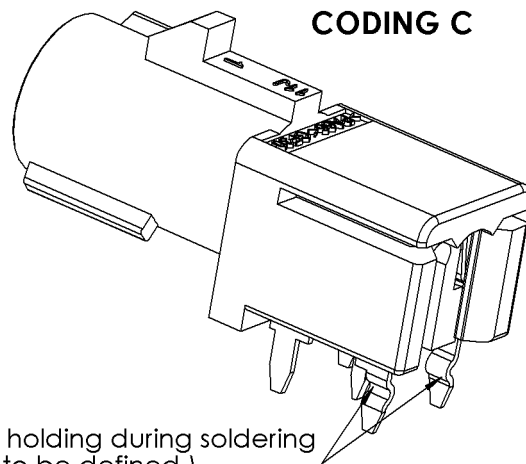
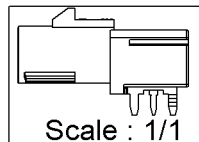
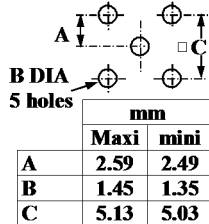
R/A MALE RECEPTACLE FOR PCB
PICOT A SOUDER - COND. PLAT. PAR 225

R197.166.C14

Series : **SMB**
CARLOCK



PANEL CUT OUT



Retention system for holding during soldering
(max insertion force to be defined)

All dimensions are in mm.

COMPONENTS	MATERIALS	PLATING	(µm)
BODY	BRASS HR (BL9)	TIN 3 OVER NICKEL 2	
CENTER CONTACT	BRASS HR (BL9)	SELECTIVE GOLD+ SELECTIVE TIN	
OUTER CONTACT	-	-	
INSULATOR	PA 6.6 30% GF (Polyamide)	-	
GASKET	-	-	
OTHERS PARTS	-	-	
-	-	-	
-	-	-	
HOUSING	PA66 or PA46 30% GF (Polyamide)	UL CLASSIFICATION	COLOR
		UL 94HB	WHITE RAL 9001

* According to FAKRA specification

Issue : 1536 A

In the effort to improve our products, we reserve the right to make changes judged to be necessary.



R/A MALE RECEPTACLE FOR PCB
PICOT A SOUDER - COND. PLAT. PAR 225

R197.166.C14

Series : **SMB**
CARLOCK

PACKAGING

SPECIFICATION

Standard	Unit	Other
225	-	Contact us

ELECTRICAL CHARACTERISTICS

ENVIRONMENTAL

Impedance **50** Ω
 Frequency **0-3** GHz
 VSWR **1.42*** + **0,0000** x F(GHz) Maxi
 Insertion loss **NA** √F(GHz) dB Maxi
 RF leakage - (**NA** - F(GHz)) dB Maxi
 Voltage rating **335** Veff Maxi
 Dielectric withstanding voltage **1000** Veff mini
 Insulation resistance **1000** MΩ mini

Operating temperature **-40/+90** ° C
 Hermetic seal **NA** Atm.cm3/s
 Panel leakage **NA**

OTHER CHARACTERISTICS

Assembly instruction

Others :
 *Coax Transmission Line Only

Connector to be handplaced on PCB

MECHANICAL CHARACTERISTICS

Center contact retention
 Axial force – Mating end **10** N mini
 Axial force – Opposite end **10** N mini
 Torque **NA** N.cm mini

Recommended torque
 Mating **NA** N.cm
 Panel nut **NA** N.cm

Mating life **100** Cycles mini
 Weight **1,8400** g

PCB insertion force : Maximum insertion force **TBD**

Issue : 1536 A

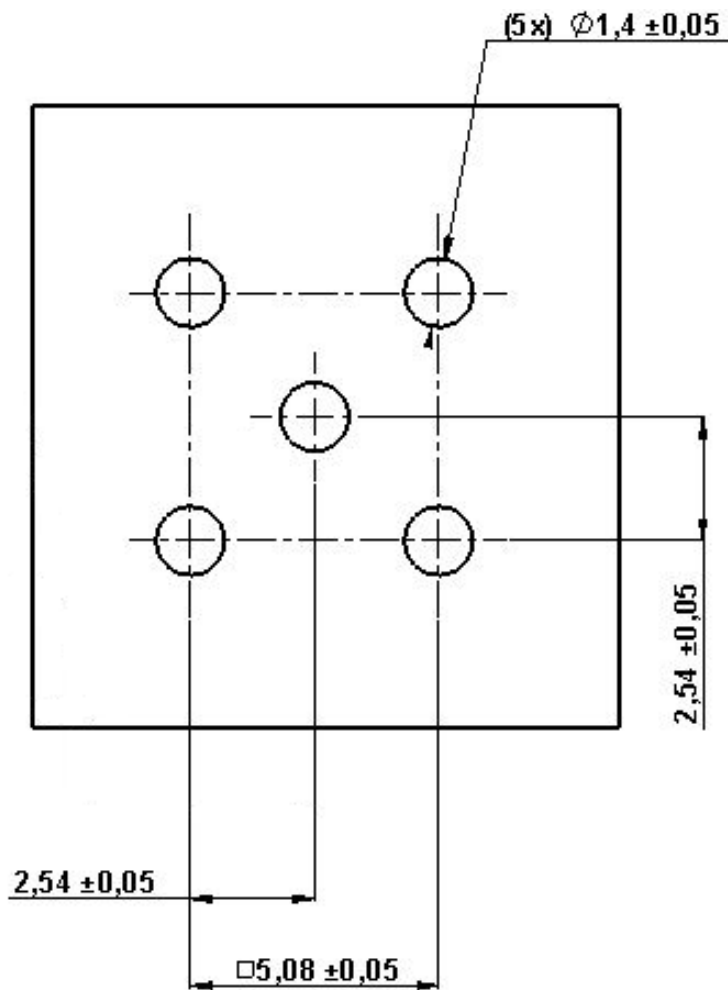
In the effort to improve our products, we reserve the right to make changes judged to be necessary.



R/A MALE RECEPTACLE FOR PCB
PICOT A SOUDER - COND. PLAT. PAR 225

R197.166.C14
 Series : **SMB**
CARLOCK

PCB CUT OUT



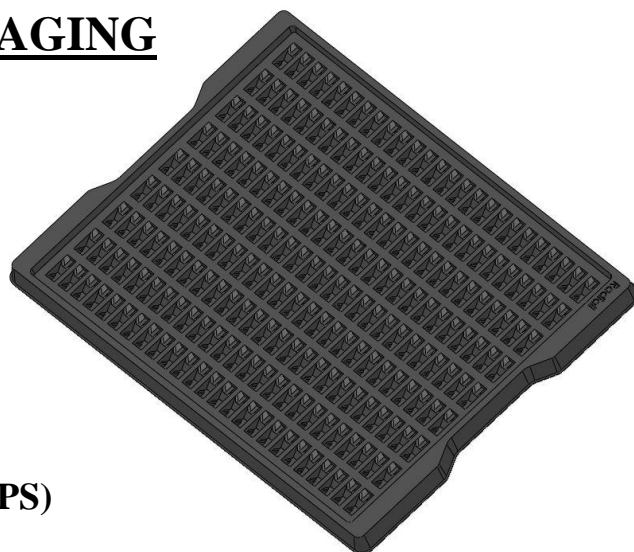
Issue : 1536 A

In the effort to improve our products, we reserve the right to make changes judged to be necessary.

R/A MALE RECEPTACLE FOR PCB**R197.166.C14****PICOT A SOUDER - COND. PLAT. PAR 225**Series : **SMB**
CARLOCK

PACKAGING

⇒ TRAY:

*Hot formed tray*External dimensions : **390 x 300 x 17 mm**Material : **Electrostatic black Polyester (PS)**Number of connectors per tray: **225**

⇒ CARTON BOX:

RADIALL standard carton box : **20L**Inside dimensions : **390 x 300 x 200 mm**Number of trays per carton box : **15 (14 + 1 empty on the top for the protection)**Number of connectors per carton box : **3150**Minimum Order Quantity of connectors
needs to be multiple by : **3150**

Mouser Electronics

Authorized Distributor

Click to View Pricing, Inventory, Delivery & Lifecycle Information:

[Raydiall Automotive:](#)

[R197.166.C14](#)