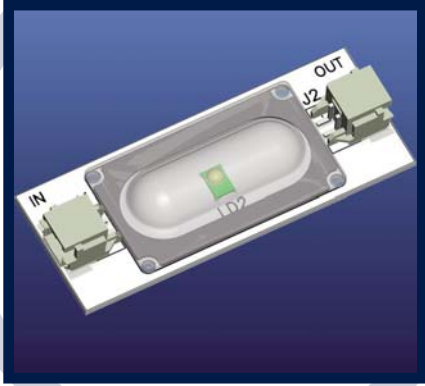


LINKLED LED LIGHT ENGINES



OPERATING CONDITIONS

- ▲ Recommended PCB temp=65°C
Maximum PCB temp = 105°C
- ▲ LED Life @ 65°C PCB temp = 50,000 hours
- ▲ For maximum performance, all "LinkLED" LED Light engines should be adhered to an appropriate heat sink

MECHANICAL DIMENSIONS

Length = 52.5mm (2.07")
Width = 21.0mm (0.83")
Height = 7.5mm (0.29")

FEATURES / BENEFITS

- ▲ Utilizes premium flux LUXEON® Rebel™ LEDs, 100+ lumens for cool white, 100+ lumens for neutral white and 50+ lumens for warm white
- ▲ Extremely long life of 50,000 hours at 65°C PCB temperature
- ▲ Modular "Plug & Play" system for flexible design in curved or unusually shaped areas.
- ▲ Available in 3 colours (cool white, neutral white, warm white)
- ▲ FR4 based PCB With thermal adhesive backing
- ▲ Passes; IEC-60695-2-12 for glow wire
- ▲ Recognized UL components and materials

APPLICATIONS

- ▲ Cove lighting
- ▲ Bars / reception areas
- ▲ Channel letters
- ▲ Display cases
- ▲ Interior use only
- ▲ Advertising

See second page for heatsink options

MATERIALS/FINISH

- ▲ LUXEON® REBEL™ LEDs
- ▲ 1.0mm FR4 clad PCB substrate
- ▲ White solder resist finish
- ▲ ROHS compliant
- ▲ Lead free solder

PART NUMBERS

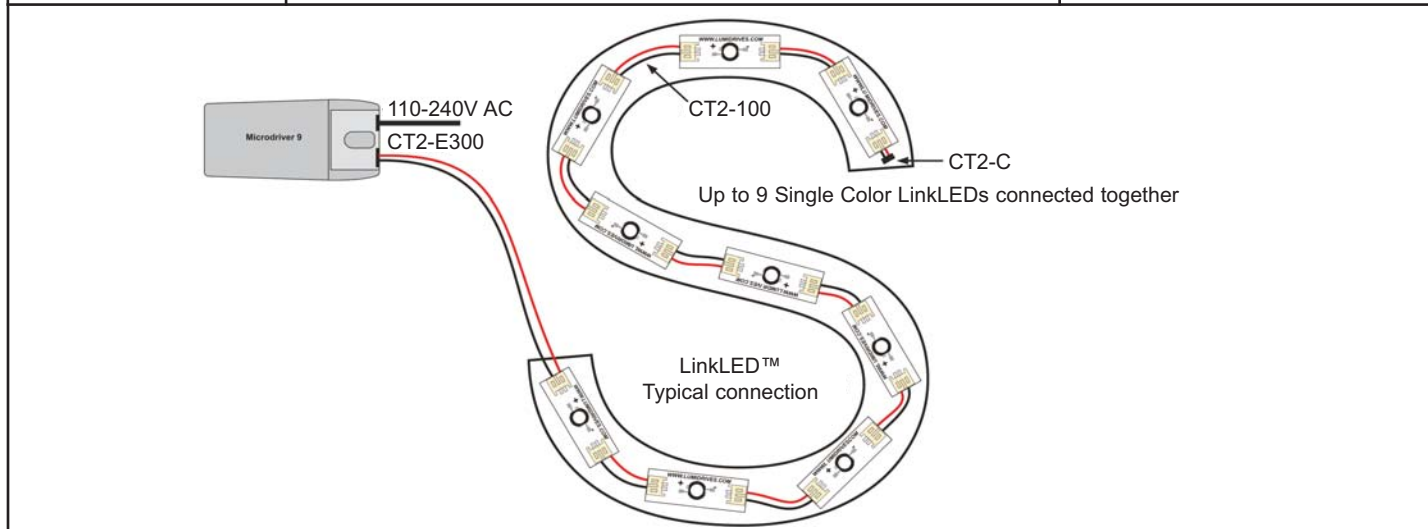
PART NUMBER	DESCRIPTION
LK1-C1-CW	Cool White, Rebel LED, Clear Protective Lens
LK1-C1-NW	Neutral White, Rebel LED, Clear Protective Lens
LK1-C1-WW	Warm White, Rebel LED, Clear Protective Lens

For other color options, consult factory.

WIRING INFORMATION

AVAILABLE ASSOCIATED CABLES

CT2-C	2- way common connector	
CT2-100	2- way link lead 100mm (3.39")	
CT2-1000-24	2- way link lead 100mm (3.39") 24 AWG	
CT2-200	2- way link lead 200mm (7.87")	
CT2-200-24	2- way link lead 200mm (7.87") 24 AWG	
CT2-E300	2- way input lead 300mm (11.81")	
CT2-E300-24	2- way input lead 300mm (11.81") 24 AWG	



COMPATIBLE DIALIGHT DRIVERS

MDE3-C-35	(CE compliant/ 230VAC only)
MDU9-35-70	(UL recognized/ CE compliant 110-240VAC)
MDU-18-V-25-100	(CE compliant 120/230VAC dimmable)
MND70 9 Dimmable	(CE compliant 120/230VAC)
MCDE18-350-P 18	(CE compliant 120/230VAC)
MLD8-SC-35-70	(CE compliant 230VAC only)

LINKLED HEATSINK OPTIONS

LK-HS9 Suitable for 9 LED's

TYPICAL LED PHOTOMETRIC DATA

Colour	Forward Voltage (Typ)	Max. Current (mA)	Typ. Power (Watts)	CCT			Min Luminous Flux (lm) / Radiometric Power (mW)	Typ Luminous Flux (lm) / Radiometric Power (mW)	Typ. luminous flux based on input drive current of 350mA maximum power consumption 1.2W per LED Consult LUXEON REBEL data sheet for maximum input currents
				Min	Typ	Max			
Cool White	3.15	350	1.20	5000 K	5675 K	6350 K	90 lm	100 lm	
Neutral White	3.15	350	1.20	3800 K	3950 K	4100 K	90lm	100lm	
Warm White	3.15	350	1.20	2850 K	3050 K	3250 K	50lm	60lm	

Dialight reserves the right to make changes at any time in order to supply the best product possible.

The most current version of this document will always be available at:
www.dialight.com/Assets/Brochures_And_Catalogs/Illumination/MDEXLKLD.pdf

MDEXLKLD_E

Mouser Electronics

Authorized Distributor

Click to View Pricing, Inventory, Delivery & Lifecycle Information:

[Dialight:](#)

[LK1-1-A](#) [LK1-1-B](#) [LK1-1-G](#) [LK1-1-R](#) [LK1-1-W](#) [LK1-1-WW](#)