



This product, formerly sold by ams AG, and before that optionally by either Applied Sensors GmbH, acam-messelectronic GmbH or Cambridge CMOS Sensors, is now owned and sold by

SciSense

The technical content of this document under ams / Applied Sensors / acam-messelectronic / Cambridge CMOS Sensors is still valid.

Contact information

Headquarters:

SciSense B.V.

High Tech Campus 10

5656 AE Eindhoven

The Netherlands

info@sciosense.com

www.sciosense.com

TDC-GPX2

4-Channel Time-to-Digital Converter

General Description

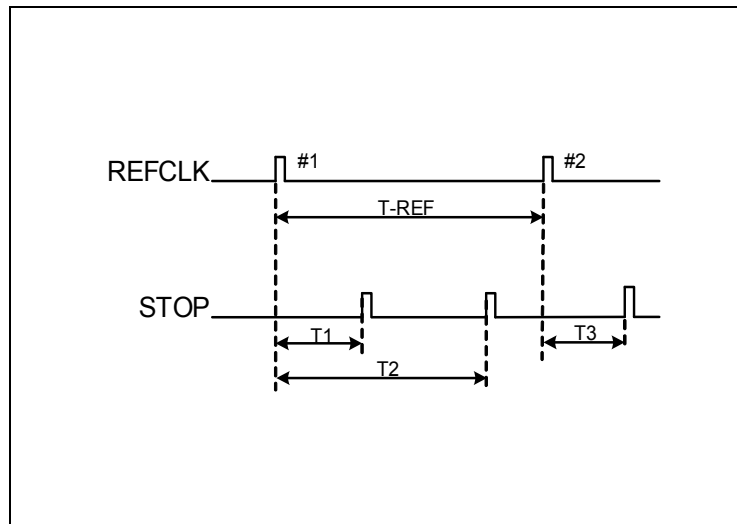
The GPX2 is a high performance time-to-digital converter (TDC) frontend device.

Highest measurement performance and highest data throughput is achieved with LVDS stop inputs and LVDS serial outputs for each channel. Current saving operation is also possible with CMOS inputs and SPI readout.

High configuration flexibility and unlimited measurement range cover many applications. They range from portable handheld laser range equipment to ambitious time-of-flight measurements of highest performance, as e.g. done in medical imaging applications.

GPX2 operates without any locked loop technologies. GPX2 calculates all stop measurements inside, proportional to the applied reference clock. Combinations of best single shot accuracy of 10ps with lowest pulse-to-pulse spacing <5ns and maximum data throughput rate of 70MSPS per stop input are possible.

Figure 1:
Time Interval Measurements



Ordering Information and Content Guide appear at end of datasheet.

Key Benefits & Features

The benefits and features of this device are listed below:

Figure 2:
Added Value of Using TDC-GPX2

| Benefits | Features |
|--|--|
| <ul style="list-style-type: none"> Simple data post-processing thanks to calibrated results | <ul style="list-style-type: none"> 4 stop channels with serial <ul style="list-style-type: none"> 20ns pulse-to-pulse spacing Maximum 35MSPS 2 combined channels with <ul style="list-style-type: none"> 5ns pulse-to-pulse spacing Maximum 70MSPS Single shot accuracy <ul style="list-style-type: none"> 20ps rms single shot resolution per channel 10ps rms with high resolution option Unlimited measuring range 0s to 16s |
| <ul style="list-style-type: none"> Event assignment thanks to reference clock index simplifies coincidence measurements Easy pulse width measurements High efficiency thanks high sample rate | <ul style="list-style-type: none"> Differential reference clock input 2MHz to 12.5MHz, optional with quartz Inputs optional with LVDS or CMOS level Readout with LVDS or SPI 16-stage FIFO per channel Automatic calibration to reference clock (no PLL or DLL) SPI compatible 4-wire interface for configuration |
| <ul style="list-style-type: none"> Compact design thanks to small package and low number of external components Reduced cooling thanks to low power consumption | <ul style="list-style-type: none"> Supply voltage 3.3V Power dissipation 60mW to 450mW Standby current 60µA QFN64 (9mm x 9mm) or QFP64 (12mm x 12mm) |

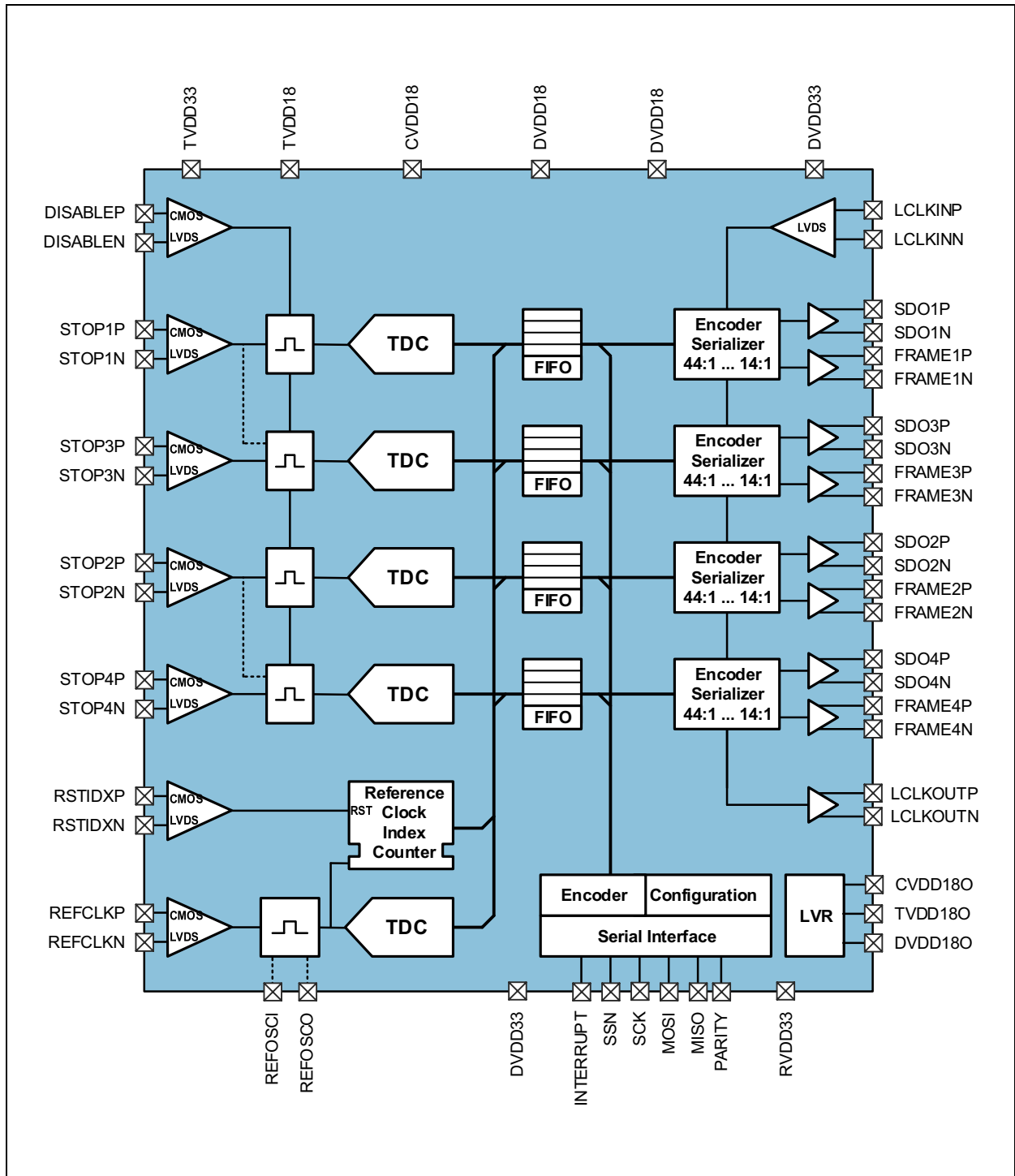
Applications

- Automated Test Equipment
- Laser Range Measurement
- Medical Imaging
- Time-of-Flight Measurement
- Particle Physics
- Lidar, Radar, Sonar

Block Diagram

The functional blocks of this device are shown below:

Figure 3:
Functional Blocks of TDC-GPX2

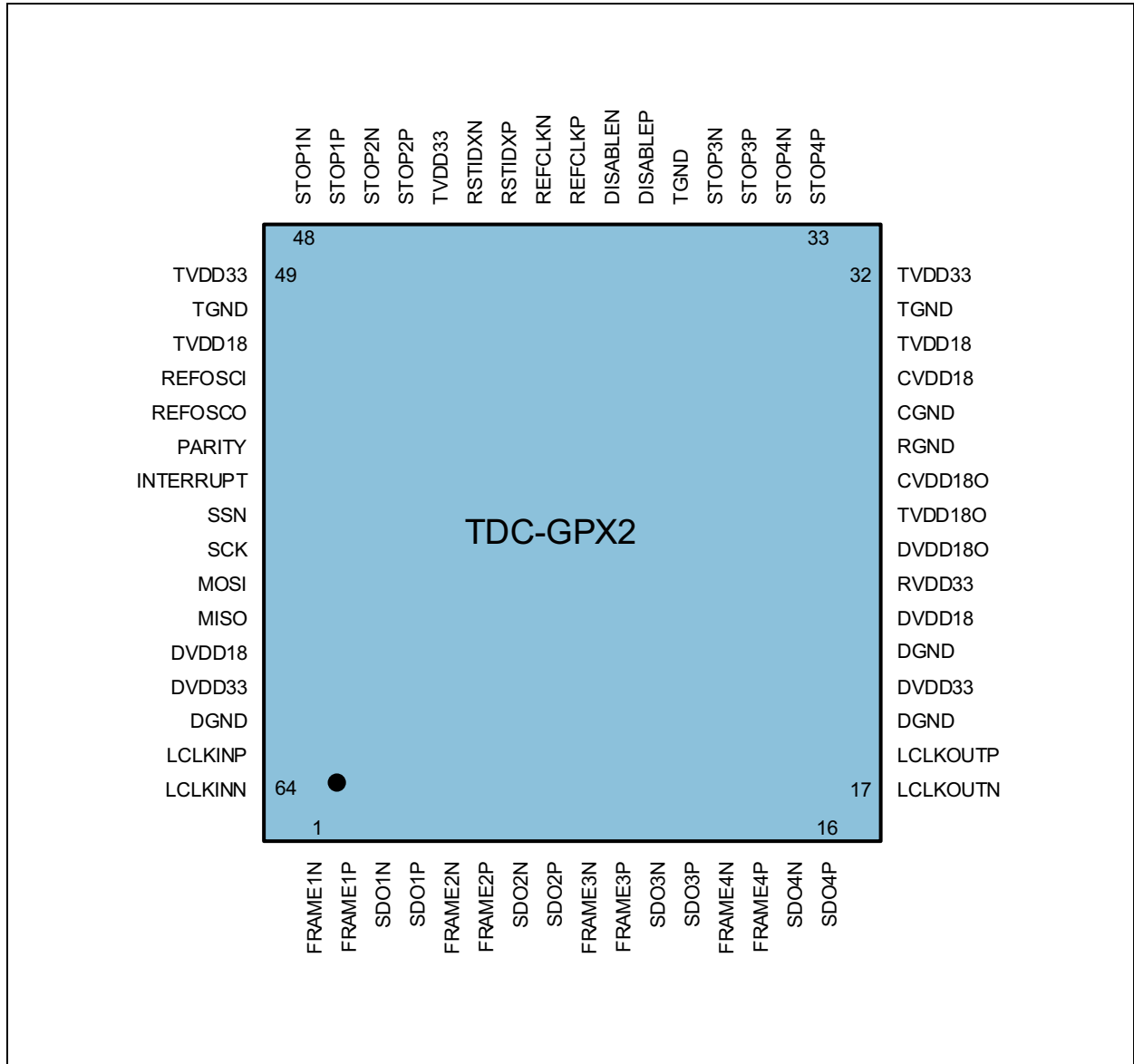


Pin Assignments

The TDC-GPX2 is shipped in QFN64 or QFP64 plastic packages with the following pin assignment.

Pin Diagram

Figure 4:
Pin Diagram of TDC-GPX2



Pin Description

Figure 5:
Pin Description of TDC-GPX2

| Pin No. | Pin Name | Description | Type | Not Used |
|------------|----------|--|---------------|----------|
| 1 | FRAME1N | Negative frame signal of stop channel 1 | LVDS Output | Open |
| 2 | FRAME1P | Positive frame signal of stop channel 1 | LVDS Output | Open |
| 3 | SDO1N | Negative serial data output of stop channel 1 | LVDS Output | Open |
| 4 | SDO1P | Positive serial data output of stop channel 1 | LVDS Output | Open |
| 5 | FRAME2N | Negative frame signal of stop channel 2 | LVDS Output | Open |
| 6 | FRAME2P | Positive frame signal of stop channel 2 | LVDS Output | Open |
| 7 | SDO2N | Negative serial data output of stop channel 2 | LVDS Output | Open |
| 8 | SDO2P | Positive serial data output of stop channel 2 | LVDS Output | Open |
| 9 | FRAME3N | Negative frame signal of stop channel 3 | LVDS Output | Open |
| 10 | FRAME3P | Positive frame signal of stop channel 3 | LVDS Output | Open |
| 11 | SDO3N | Negative serial data output of stop channel 3 | LVDS Output | Open |
| 12 | SDO3P | Positive serial data output of stop channel 3 | LVDS Output | Open |
| 13 | FRAME4N | Negative frame signal of stop channel 4 | LVDS Output | Open |
| 14 | FRAME4P | Positive frame signal of stop channel 4 | LVDS Output | Open |
| 15 | SDO4N | Negative serial data output of stop channel 4 | LVDS Output | Open |
| 16 | SDO4P | Positive serial data output of stop channel 4 | LVDS Output | Open |
| 17 | LCLKOUTN | Negative serial clock output | LVDS Output | Open |
| 18 | LCLKOUTP | Positive serial clock output | LVDS Output | Open |
| 19, 21, 62 | DGND | Ground for digital and IO units | Power Supply | |
| 20, 61 | DVDD33 | 3.3V supply for digital and IO units | Power Supply | |
| 22, 60 | DVDD18 | 1.8V supply for digital and IO units | Power Supply | |
| 23 | RVDD33 | 3.3V supply for linear voltage regulator | Power Supply | |
| 24 | DVDD180 | 1.8V supply voltage for digital and IO units | Regulator Out | Open |
| 25 | TVDD180 | 1.8V supply voltage for time frontend | Regulator Out | Open |
| 26 | CVDD180 | 1.8V supply voltage for time digital converter | Regulator Out | Open |
| 27 | RGND | Ground for linear voltage regulator | Power Supply | |
| 28 | CGND | Ground for TDC | Power Supply | |

| Pin No. | Pin Name | Description | Type | Not Used |
|------------|-----------|--|-----------------|----------|
| 29 | CVDD18 | 1.8V positive supply for TDC | Power Supply | |
| 30, 51 | TVDD18 | 1.8V positive supply for time front-end | Power Supply | |
| 31, 37, 50 | TGND | Ground for 1.8V time front-end supply | Power Supply | |
| 32, 44, 49 | TVDD33 | 3.3V positive supply for time front-end | Power Supply | |
| 33 | STOP4P | Positive stop input for channel 4 | CMOS/LVDS Input | TVDD33 |
| 34 | STOP4N | Negative stop input for channel 4 | LVDS Input | TVDD33 |
| 35 | STOP3P | Positive stop input for channel 3 | CMOS/LVDS Input | TVDD33 |
| 36 | STOP3N | Negative stop input for channel 3 | LVDS Input | TVDD33 |
| 38 | DISABLEP | Positive disabling pin for stop channels | CMOS/LVDS Input | TVDD33 |
| 39 | DISABLEN | Negative disabling pin for stop channels | LVDS Input | TVDD33 |
| 40 | REFCLKP | Positive clock signal of reference clock | CMOS/LVDS Input | TVDD33 |
| 41 | REFCLKN | Negative clock signal of reference clock | LVDS Input | TVDD33 |
| 42 | RSTIDXP | Positive reference index reset signal | CMOS/LVDS Input | TVDD33 |
| 43 | RSTIDXN | Negative reference index reset signal | LVDS Input | TVDD33 |
| 45 | STOP2P | Positive stop input for channel 2 | CMOS/LVDS Input | TVDD33 |
| 46 | STOP2N | Negative stop input for channel 2 | LVDS Input | TVDD33 |
| 47 | STOP1P | Positive stop input for channel 1 | CMOS/LVDS Input | TVDD33 |
| 48 | STOP1N | Negative stop input for channel 1 | LVDS Input | TVDD33 |
| 52 | REFOSCI | Input for quartz as reference clock | XOSC Driver In | Open |
| 53 | REFOSCO | Output for quartz as reference clock | XOSC Driver Out | Open |
| 54 | PARITY | Parity of all configuration registers | LVTTTL Output | Open |
| 55 | INTERRUPT | SPI interrupt | LVTTTL Output | Open |
| 56 | SSN | SPI slave select not + interface reset | LVTTTL Input | |
| 57 | SCK | SPI serial clock | LVTTTL Input | |
| 58 | MOSI | SPI serial data master out, slave In | LVTTTL Input | |
| 59 | MISO | SPI serial data master in, slave Out | LVTTTL Tristate | |
| 63 | LCLKINP | Positive serial clock in | LVDS Input | DVDD33 |
| 64 | LCLKINN | Negative serial clock in | LVDS Input | DVDD33 |

Note(s):

1. A small dot on the package indicates the pin 1. There is no need to connect the exposed pad to GND (internally not connected). Connecting it may be helpful for heat dissipation. The package is RoHS compliant and does not contain any Pb.

Absolute Maximum Ratings

Stresses beyond the [Absolute Maximum Ratings](#) may cause permanent damages to the device. Exposure to any Absolute Maximum Rating condition for extended periods may also affect device reliability and lifetime.

Figure 6:
Absolute Maximum Ratings

| Symbol | Parameter | Min | Max | Units | Comments |
|--|-------------------------------------|--------|----------------|-------|--|
| Electrical Parameters | | | | | |
| VDD33 | 3.3V Supply Voltage to Ground | -0.5 | 4.0 | V | Pins DVDD33, TVDD33, RVDD33 |
| VDD18 | 1.8V Supply Voltage to Ground | -0.5 | 2.2 | V | Pins DVDD18, TVDD18, CVDD18 |
| | Voltage between ground pins | -0.3 | +0.3 | V | Pins DGND, TGND, RGND, CGND |
| V _{iLVDS} | Voltage at differential input pins | -0.3 | VDD33 + 0.3 | V | Pins STOP1, STOP2, STOP3, STOP4, REFCLK, REFRES, DISABLE, LCLKIN |
| V _{osc} | Voltage at input of oscillator cell | -0.3 | VDD18 +0.3 | V | Pin REFOSCIN |
| Electrostatic Discharge | | | | | |
| ESD _{HBM} | Electrostatic Discharge HBM | ± 1000 | | V | JS-001-2014 |
| Temperature Ranges and Storage Conditions | | | | | |
| T _J | Operating Junction Temperature | -40 | 125 | °C | |
| T _{STRG} | Storage Temperature Range | -65 | 150 | °C | |
| T _{BODY} | Package Body Temperature | | 260 | °C | The reflow peak soldering temperature (body temperature) is specified according to IPC/JEDEC J-STD-020 "Moisture/Reflow Sensitivity Classification for Non-hermetic Solid State Surface Mount Devices." The lead finish for Pb-free leaded packages is "Matte Tin" (100% Sn) |
| RH _{NC} | Relative Humidity (non-condensing) | 5 | 85 | % | |
| MSL | Moisture Sensitivity Level | 3 | | | Maximum floor life time of 168 hours |

Recommended Operation Conditions

Recommended operating ratings indicate conditions for which the device is functional, but do not guarantee specific performance limits. Test conditions for guaranteed specification are expressly denoted.

Figure 7:
Recommended Operating Conditions

| Symbol | Pin | Description | Min | Typ | Max | Unit |
|------------------------------------|--|---|--------------------|------|--------------------------|------|
| Power-Supply | | | | | | |
| VDD33 | DVDD33, TVDD33, RVDD33 | Supply Voltage | 2.4 | 3.3 | 3.6 | V |
| VDD18 | DVDD18, TVDD18, CVDD18 | Core Supply Voltage powered by integrated regulator, pins DVDD180, TVDD180, CVDD180 | 1.7 | 1.8 | 1.9 | V |
| Temperature | | | | | | |
| T _A | | Operating free air temperature ⁽¹⁾ | -40 | | 125 | °C |
| Reference & Stop Inputs | | | | | | |
| V _{ID,LVDS} | STOP1, STOP2, STOP3, STOP4, REFCLK, RSTIDX, DISABLE, | LVDS Differential Input Voltage | 200 | | | mV |
| V _{IC,LVDS} | | LVDS Common Mode Input Voltage | V _{ID} /2 | 1.25 | 2.2 – V _{ID} /2 | V |
| V _{IL,CMOS} | | CMOS Input Low Voltage | | | 0.4 | V |
| V _{IH,CMOS} | | CMOS Input High Voltage | VDD33 - 0.4 | | | V |
| SPI-Interface | | | | | | |
| V _{IL} | SCK, MOSI, SSN | Digital Input LOW Voltage | | | 0.8 | V |
| V _{IH} | | Digital Input HIGH Voltage | 0.7 * VDD33 | | | V |
| C _{LOAD} | INTERRUPT, MISO, PARITY | Load Capacitance to Ground | | | 20 | pF |

| Symbol | Pin | Description | Min | Typ | Max | Unit |
|-----------------------|---|--|-----|------|-----|----------|
| LVDS-Interface | | | | | | |
| $V_{ID,LVDS}$ | LCLKIN | LVDS Differential Input Voltage | 200 | | | mV |
| $V_{IC,LVDS}$ | | LVDS Common Mode Input Voltage | | 1.25 | | V |
| R_{TERM} | SDO1, SDO2, SDO3, SDO4, FRAME1, FRAME2, FRAME3, FRAME4, LCLKOUT | Differential Termination Resistor for LVDS Outputs | | 100 | | Ω |
| C_{LOAD} | | Load Capacitance to Ground | | | 5 | pF |

Note(s):

1. Recommended Operating Ratings indicate conditions for which the device is functional, but do not guarantee specific performance limits. Test conditions for guaranteed specification are explicitly denoted.

The following test levels apply to all following characteristics:

Figure 8:
Test Levels

| Test Level | Description |
|------------|---|
| I | 100% production tested. |
| II | 100% production tested at 25 °C and guaranteed by design and characterization testing |
| III | Parameter is guaranteed by design and characterization testing |
| IV | Sample tested |
| V | Parameter is a typical value only. |

Converter Characteristics

 General Conditions: VDD33 = 3.3V; VDD18 = 1.8V;
 T_A = 0°C to 80°C.

Figure 9:
Converter Characteristics

| Symbol | Description | Condition | TL | Min | Typ | Max | Unit |
|-------------------------------------|---|---|-----|--------------------|-------------------|---------------------|------|
| Accuracy of Time Measurement | | | | | | | |
| RMS | Single-shot RMS resolution | High_Resolution = 0 (off) High_Resolution = 1 (2x) High_Resolution = 2 (4x) | IV | | 20 15 10 | 30 20 15 | ps |
| INL | Integral non-linearity | | IV | | | 20 | ps |
| DNL | Differential non-linearity | | V | | 5 | | ps |
| | No missing code | At time quantization level | III | Assured | | | |
| | Channel to channel isolation | At same times measured | IV | | 20 | 100 | ps |
| | Offset error | High_Resolution = 0 (off) High_Resolution = 1 (2x) High_Resolution = 2 (4x) | V | | 100 150 200 | | ps |
| | Offset error temperature drift | High_Resolution = 0 (off) High_Resolution = 1 (2x) High_Resolution = 2 (4x) | IV | | 0.5 1 1.5 | 3 | ps/K |
| Switching Performance | | | | | | | |
| t _{CONV} | Converter latency | High_Resolution = 0 (off) High_Resolution = 1 (2x) High_Resolution = 2 (4x) | III | | | 20 50 100 | ns |
| | Peak conversion rate | High_Resolution = 0 (off) High_Resolution = 1 (2x) High_Resolution = 2 (4x) | III | | | 50 20 10 | MSPS |
| | Maximum read-out rate LVDS: 44 Bit/14 Bit SPI: Opcode + 48 Bit/16 Bit | SDR / 250MHz DDR / 250MHz SPI / 50MHz | III | 5.6 11.3 0.9 | | 17.8 35.7 2.1 | MSPS |

Power Supply Characteristic

General Conditions: VDD33 = 3.3V; VDD18 = 1.8V;
T_A = 0°C to 80°C

Figure 10:
Power Supply Characteristics

| Symbol | Description | Condition | TL | Min | Typ | Max | Unit |
|--|---|---|-----|-----|-----|-----|------|
| Supply Voltage | | | | | | | |
| t _{VDD18O} | Delay from power-up of RVDD33 to TVDD18O, CVDD18O, DVDD18O stable | C _{load} = 100μF | V | | | 100 | ms |
| P _{TOT,MIN} | Minimum total power dissipation | CMOS inputs and SPI read f _{REFCLK} = 5MHz conversion rate 1MSPS | V | | 60 | | mW |
| P _{TOT,MAX} | Maximum total power | LVDS inputs and outputs f _{REFCLK} = 10MHz f _{STOP1..4} = 50MHz f _{LCLK} = 300MHz | V | | 450 | | mW |
| Detailed Current Consumption | | | | | | | |
| I _{DVDD18,REFCLK} | Core current into REFCLK | f _{REFCLK} = 5MHZ | V | | 2 | | mA |
| I _{DVDD18,STOP} | Current per stop channel | | V | | 0.5 | | mA |
| I _{CVDD18} | Current with activated TDC core | | V | | 14 | | mA |
| I _{TVDD18,REFOSC} | Quartz oscillator current if used | f _{REFOSC} = 4MHZ | III | | 2 | | mA |
| I _{DVDD33,LVDS-IN} I _{TVDD33,LVDS-IN} | Current per LVDS input buffer | | III | | 2 | 6 | mA |
| I _{DVDD33,LVDS-OUT} | Current per LVDS output buffer | RTERM = 100Ω | III | | 5 | 10 | mA |
| I _{DDQ} | Quiescent current mainly by I _{RVDD33} | LVDS inputs tied to VDD33 | II | | 60 | 100 | μA |
| I _{LKG} | Input leakage current | LVDS, CMOS, Digital, REFOSCI | II | -5 | | 1 | μA |

Reference Clock and Stop Input Requirements

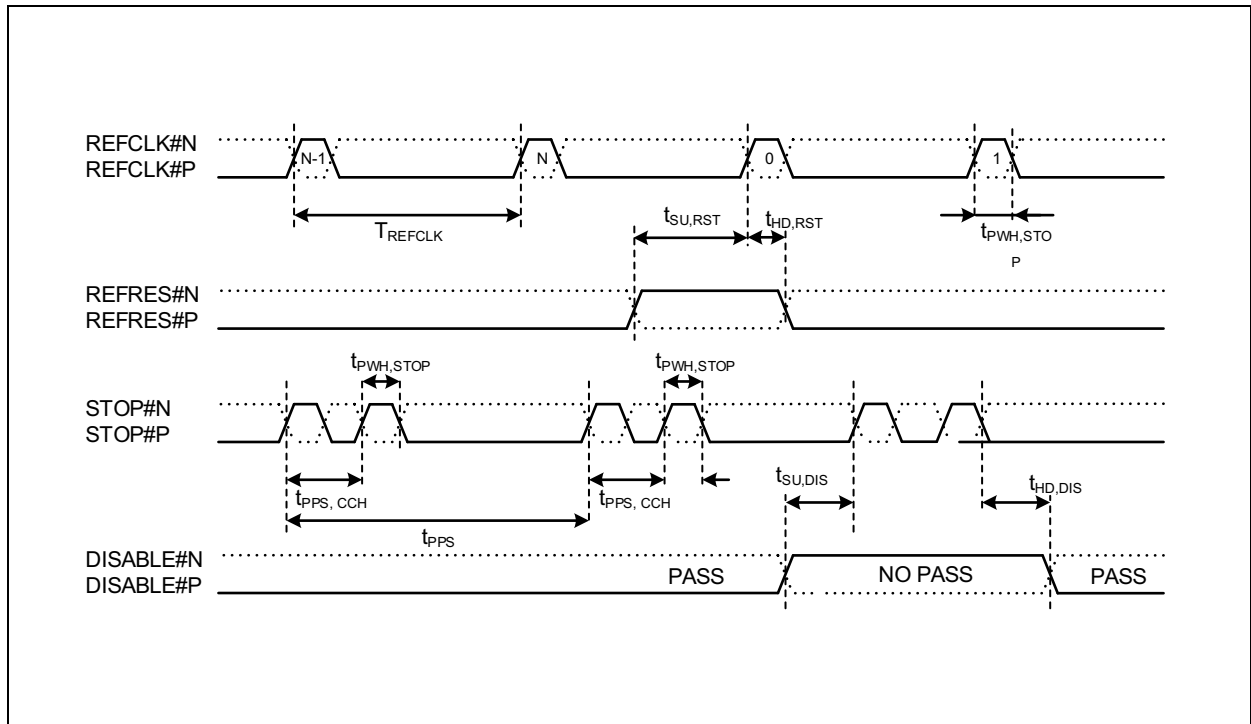
General Conditions: VDD33 = 3.3V; VDD18 = 1.8V;

T_A = 0°C to 80°C; V_{ID} = 200mV; V_{IC} = 1.25V; V_{IL} = 0V; V_{IH} = 3.3V

Figure 11:
Clock and Input Characteristics

| Symbol | Description | Condition | TL | Min | Typ | Max | Unit |
|-----------------------|---|---|-----|-----------------|-------------|----------------------|------|
| f _{REFCLK} | Reference clock frequency | High_Resolution = 0 (off) High_Resolution = 1 (2x) High_Resolution = 2 (4x) | III | 2 2 2 | 5 5 5 | 12.5 12.5 10.0 | MHz |
| f _{REFOSC} | Reference oscillator frequency at pin 52,53 | High_Resolution = 0 (off) High_Resolution = 1 (2x) High_Resolution = 2 (4x) | III | 2 2 2 | 5 5 5 | 12.5 12.5 10.0 | MHz |
| T _{REFCLK} | Reference clock period | | III | 83 | 200 | 500 | ns |
| | Reference clock jitter | | V | | | 100 | ps |
| | Reference clock stability | No requirement | | | | | |
| t _{PWH,STOP} | Minimum pulse width | LVDS CMOS | III | 2 10 | | | ns |
| t _{PPS} | Minimum pulse-to-pulse spacing | High_Resolution = 0 (off) High_Resolution = 1 (2x) High_Resolution = 2 (4x) | III | 20 50 100 | | | ns |
| t _{PPS,CCH} | Minimum pulse-to-pulse spacing | CHANNEL_COMBINE = 1 For a single pair of pulses. | III | 5 | | | ns |
| t _{SU,RST} | Setup time from RSTIDX to REFCLK | | III | 5 | | | ns |
| t _{HD,RST} | Hold time from RSTIDX to REFCLK | | III | 5 | | | ns |
| t _{SU,DIS} | Setup time from STOP to DISABLE | | III | 5 | | | ns |
| t _{HD,DIS} | Hold Time from STOP to DISABLE | | III | 5 | | | ns |
| t _{PIN_ENA} | Pin activation time from configuration of PIN_ENA... to valid data | Pins: RSTIDX, DISABLE, REFCLK, STOP1...4 | III | 200 | | | μs |
| t _{POR} | Delay between power-on or initialization reset and next communication | Power-up, opcodes spiopc_power & spiopc_init, pin | III | 100 | | | μs |

Figure 12:
Timing Symbols and Parameters



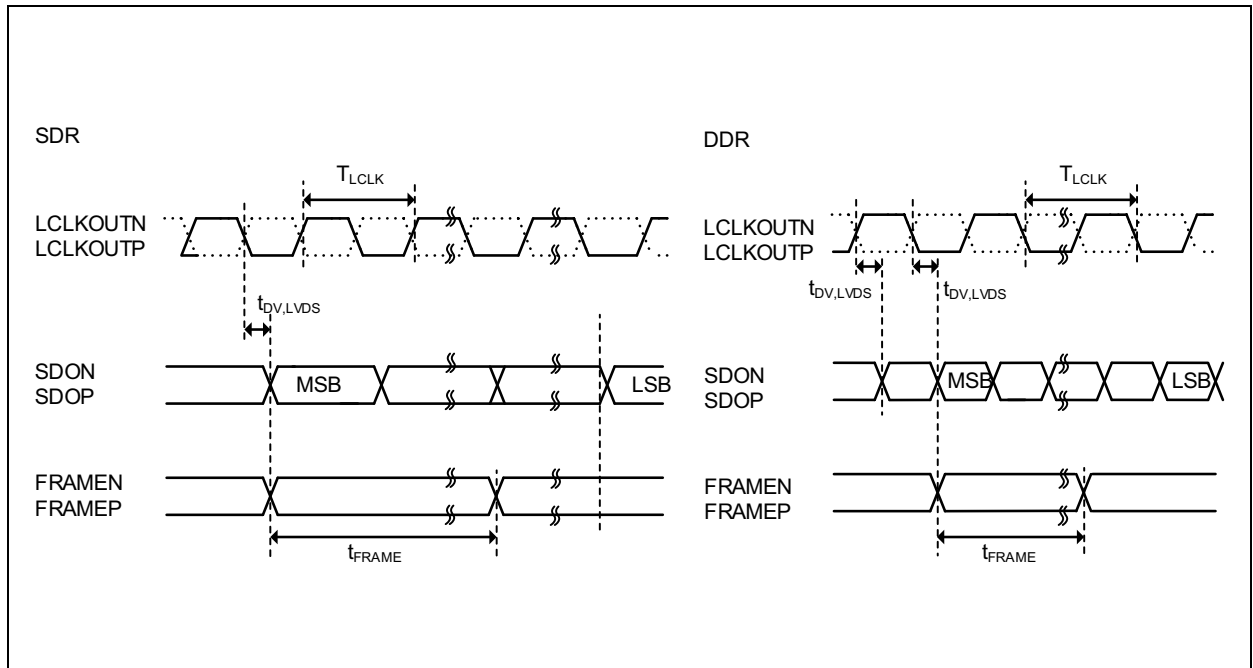
LVDS Data Interface Characteristics

General Conditions: VDD33 = 3.3V, VDD18 = 1.8V,
 T_A = 0°C to 80°C, V_{ID} = 200 mV, V_{IC} = 1.25V

Figure 13:
 Interface Characteristics

| Symbol | Description | Condition | TL | Min | Typ | Max | Unit |
|-----------------------------------|--|--|-----|-------|--------|-------|-------|
| Electrical Characteristics | | | | | | | |
| V _{OD,LVDS} | LVDS differential output voltage | R _L = 100Ω, C _L = 5pF | III | 200 | | | mV |
| V _{OC,LVDS} | LVDS common mode output voltage | R _L = 100Ω, C _L = 5pF | III | 1.125 | 1.25 | 1.375 | V |
| t _{PIN_ENA} | Pin activation time from configuration PIN_ENA_LVDS to valid data at pin | Pins: LCLKIN, LCLKOUT, SDO1...4, FRAME1...4 | III | | | 200 | μs |
| Timing Characteristics | | | | | | | |
| t _{SYNC} | Synchronization latency | SDR DDR | III | | 6 3 | | Clock |
| t _{FRAME} | Frame length | SDR DDR | III | | 8 4 | | Clock |
| f _{LCLK} | LVDS clock frequency SDR/DDR | | III | 10 | | 250 | MHz |
| | LVDS clock duty cycle | | III | 45 | 50 | 55 | % |
| | Path delay LCLKIN to LCLKOUT, SDO1...4, FRAME1...4 | | III | | 5 | 10 | ns |
| t _{DV,LVDS} | Data valid after active clock edge | lvds_data_valid_ adjust = 1 | III | | 0 | | ns |

Figure 14:
LVDS Timing Symbols and Parameters



Serial Communication Interface

General Conditions: VDD33 = 3.3V; VDD18 = 1.8V;
 T_A = 0°C to 80°C; V_{IL} = 0V; V_{IH} = 3.3V

Figure 15:
 Serial Communication Interface

| Symbol | Description | Condition | TL | Min | Typ | Max | Unit |
|-----------------------------------|--------------------------------------|----------------------|-----|--------------|-----|-----|------|
| Electrical Characteristics | | | | | | | |
| V _{OL} | Digital output LOW voltage | I _O = 2mA | III | | | 0.3 | V |
| V _{OH} | Digital output HIGH voltage | I _O = 2mA | III | DVDD +0.3 | | | V |
| Timing Characteristics | | | | | | | |
| f _{SCK} | Serial clock frequency | C _L = 5pF | III | | | 50 | MHz |
| t _{PWH,SCK} | Serial clock pulse width HI state | | III | 10 | | | ns |
| t _{PWL,SCK} | Serial clock pulse width LO state | | III | 10 | | | ns |
| t _{PWH,SSN} | SSN pulse width between write cycles | | III | 10 | | | ns |
| t _{SU,SSN} | SSN setup time after SCK falling | | III | 20 | | | ns |
| t _{HD,SSN} | SSN hold time before SCK rising | | III | 20 | | | ns |
| t _{SU,MOSI} | Data setup time prior to clock edge | | III | 5 | | | ns |
| t _{HD,MOSI} | Data hold time after clock edge | | III | 5 | | | ns |
| t _{DV,MISO} | Data valid after rising clock edge | | III | 8 | | | ns |
| t _{ZX,MISO} | HighZ to output time | | III | 8 | | | ns |
| t _{XZ,MISO} | Output to HighZ time | | III | 8 | | | ns |

Figure 16:
Write and Incremental Write

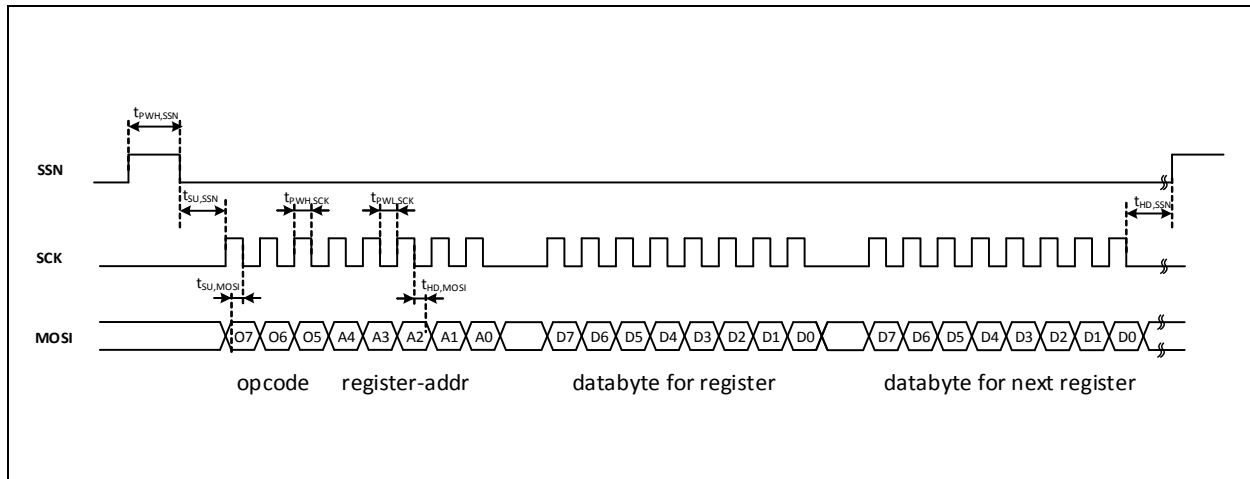
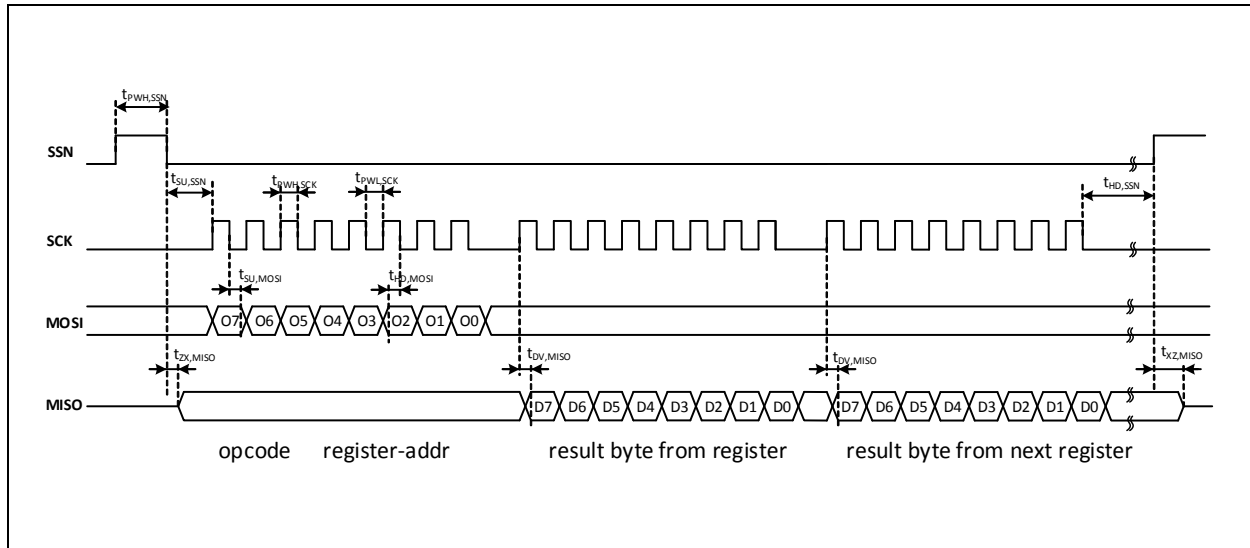


Figure 17:
Read and Incremental Read



Typical Operating Characteristics

Histograms

Figure 18:
STOP2, FWHM, Histogram 100000 Values

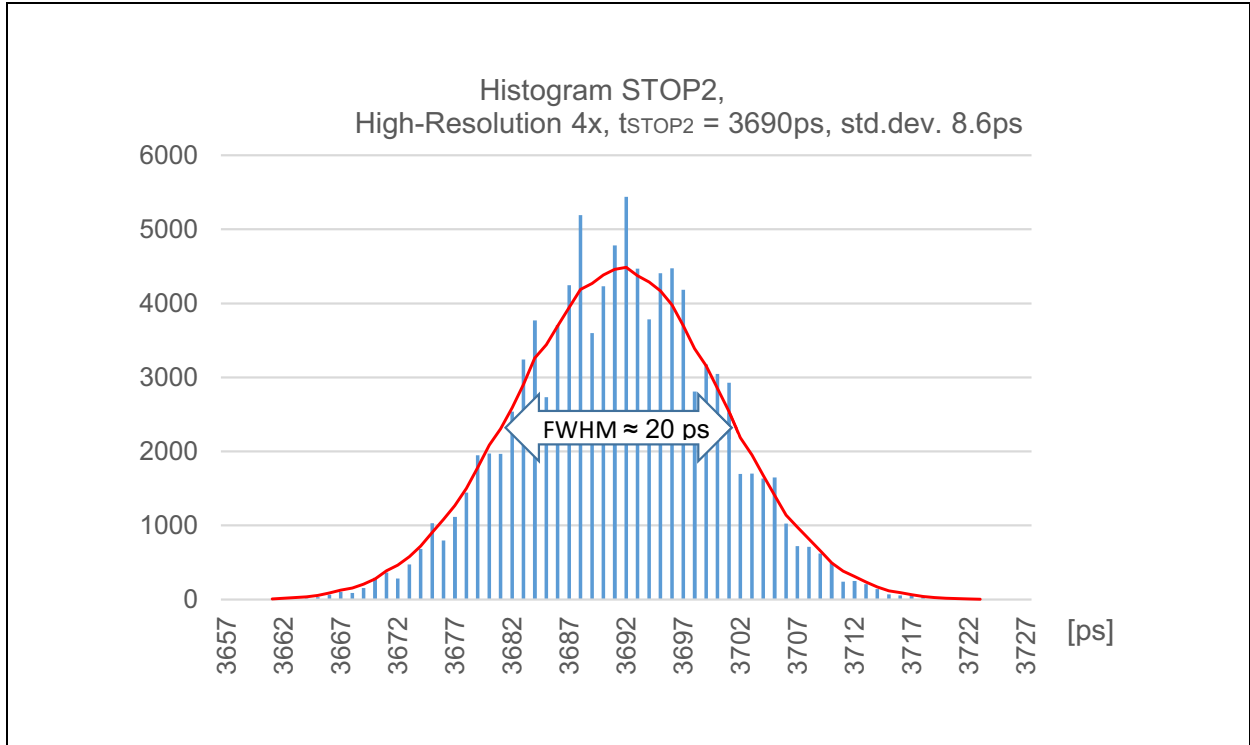


Figure 19:
STOP2 – STOP1, HIGHRES 4x, Histogram 100000 Values

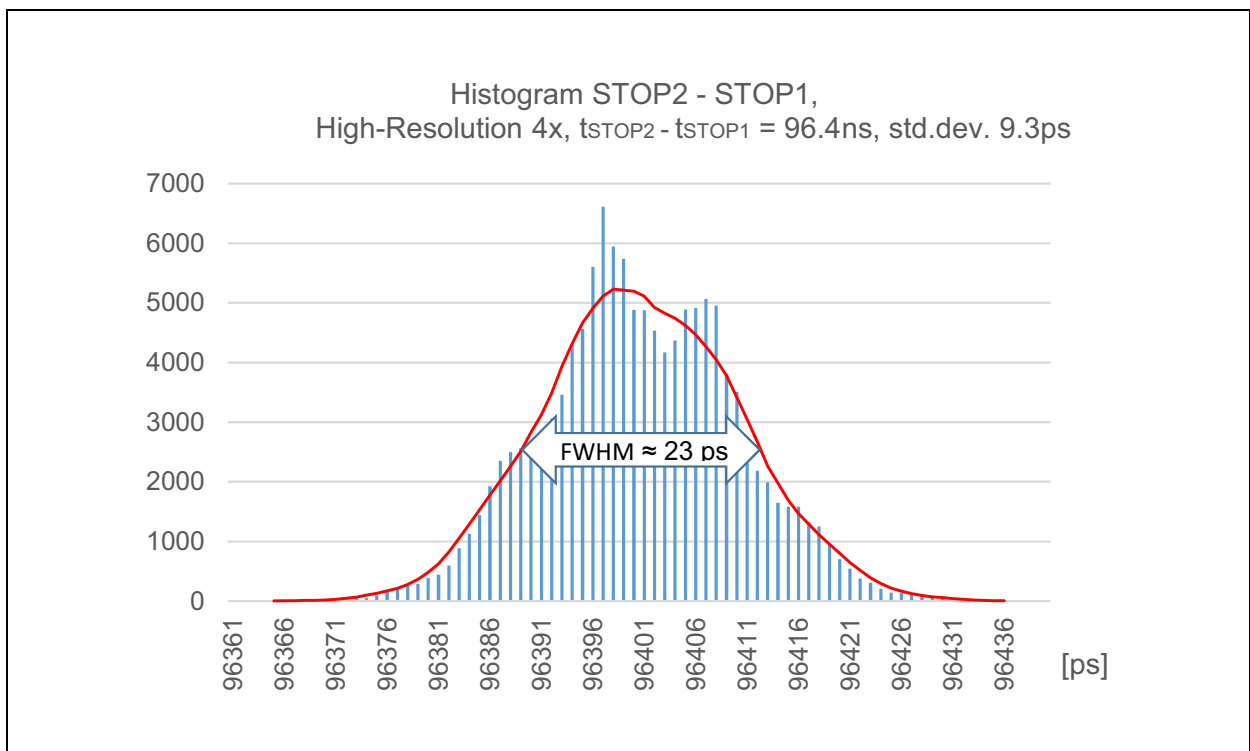


Figure 20:
STOP2 – REFCLK, HIGHRES 0, Histogram 100000 Values

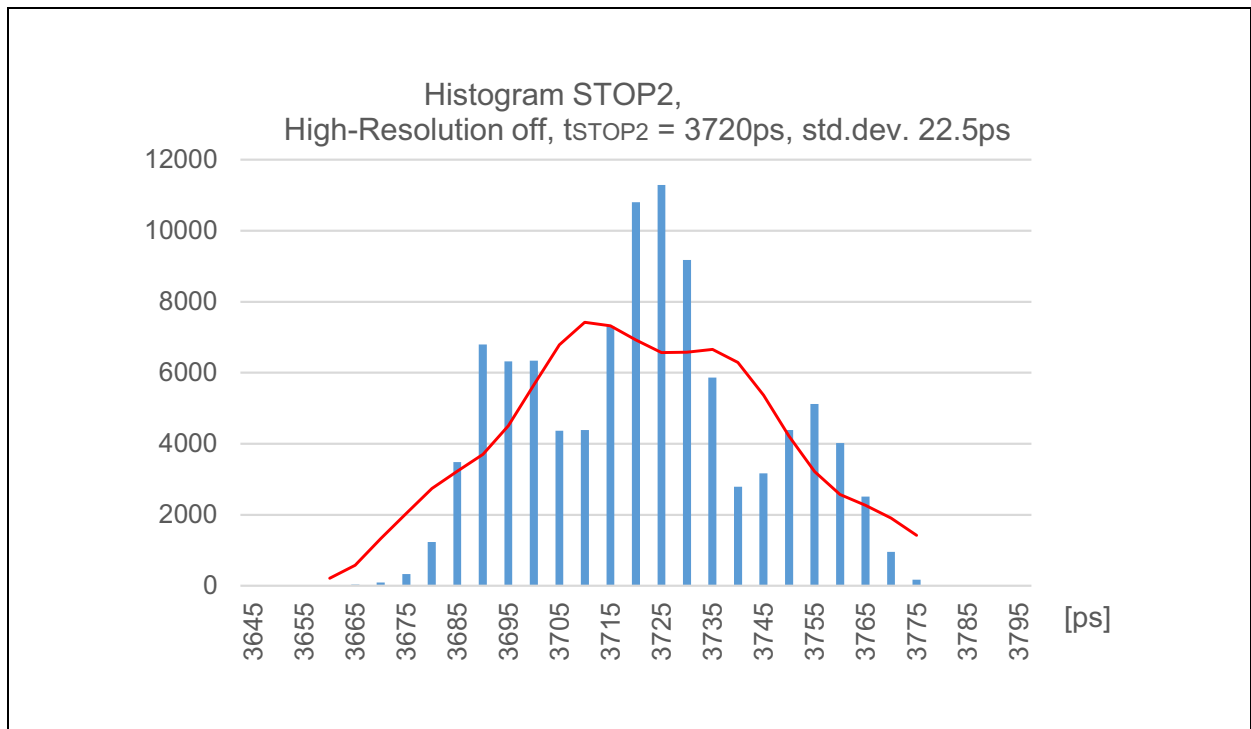
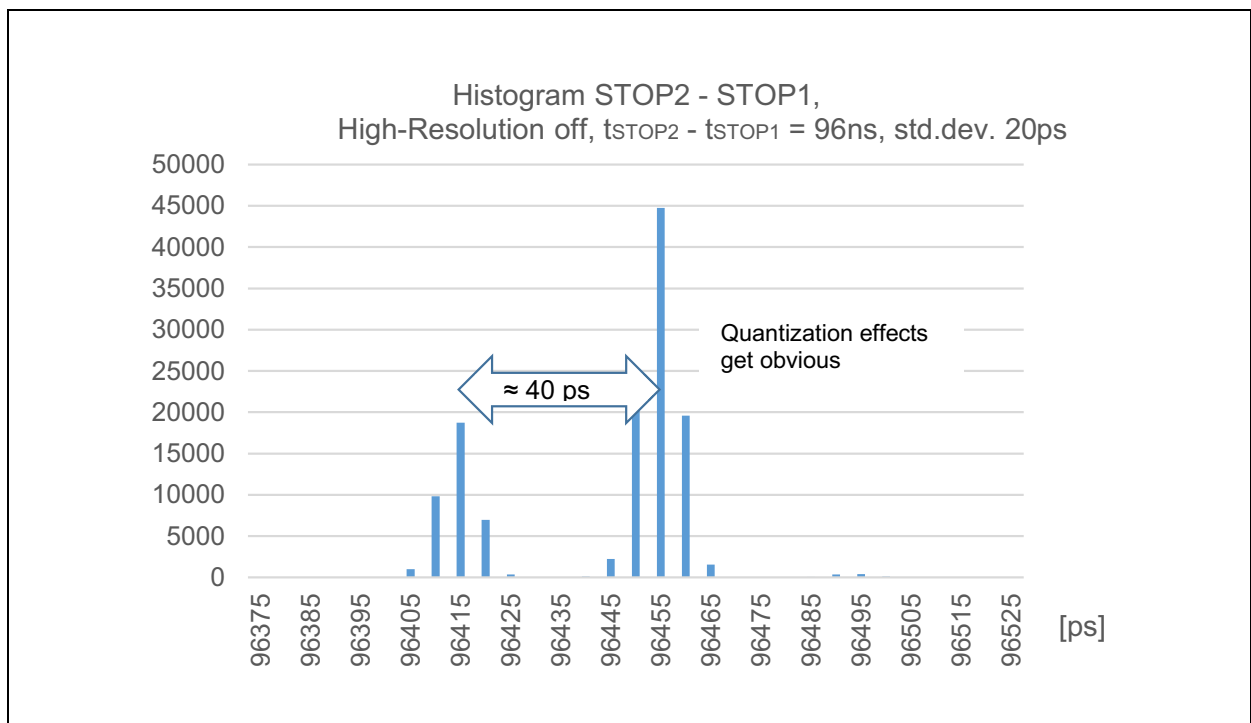
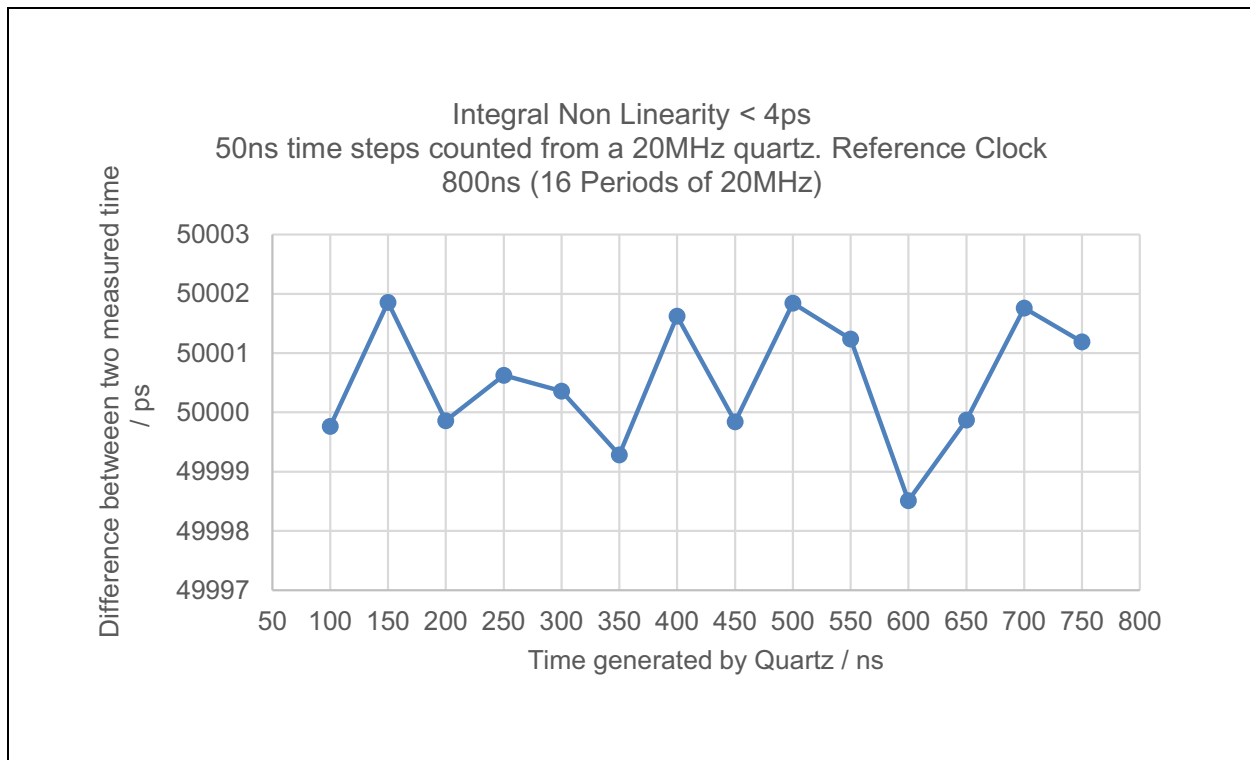


Figure 21:
STOP2 – STOP1, HIGHRES 0, Histogram 100000 Values



Integral Non-Linearity

Figure 22:
Integral Non-Linearity



Register Description

Configuration Register Overview

The configuration registers are organized in 17 addresses of one byte. All configuration registers are accessible via the SPI interface. They can be read and written individually or with an incremental access. For monitoring the chip it is possible to observe at the PARITY pin whether the sum of all set bits is even or odd.

Figure 23:
Configuration Register Overview

| Addr | <D7> | <D6> | <D5> | <D4> | <D3> | <D2> | <D1> | <D0> |
|------|--------------------------------|--------------------|------------------------|--------------------|-------------------------------|--------------------|---------------|---------------|
| 0 | PIN_ENA_RSTIDX | PIN_ENA_DISABLE | PIN_ENA_LVDS_OUT | PIN_ENA_REFCLK | PIN_ENA_STOP4 | PIN_ENA_STOP3 | PIN_ENA_STOP2 | PIN_ENA_STOP1 |
| 1 | HIGH_RESOLUTION | | CHANNEL_COMBINE | | HIT_ENA_STOP4 | HIT_ENA_STOP3 | HIT_ENA_STOP2 | HIT_ENA_STOP1 |
| 2 | BLOCKWISE_FIFO_READ | COMMON_FIFO_READ | LVS_DOUBLE_DATA_RATE | STOP_DATA_BITWIDTH | | REF_INDEX_BITWIDTH | | |
| 3 | REFCLK_DIVISIONS (Lower byte) | | | | | | | |
| 4 | REFCLK_DIVISIONS (Middle byte) | | | | | | | |
| 5 | Fixed value*: (0000b) | | | | REFCLK_DIVISIONS (Upper bits) | | | |
| 6 | Fixed value*: (110b) | | | LVDS_TEST_PATTERN | Fixed value*: (0000b) | | | |
| 7 | REFCLK_BY_XOSC | Fixed value*: (1b) | LVDS_DATA_VALID_ADJUST | | Fixed Value*: (0011b) | | | |
| 8 | Fixed value*: (10100001b) | | | | | | | |
| 9 | Fixed value*: (00010011b) | | | | | | | |
| 10 | Fixed value*: (00000000b) | | | | | | | |
| 11 | Fixed value*: (00001010b) | | | | | | | |

| Addr | <D7> | <D6> | <D5> | <D4> | <D3> | <D2> | <D1> | <D0> |
|------|---------------------------|------|------|------|------|------------|---------------------|------|
| 12 | Fixed value*: (11001100b) | | | | | | | |
| 13 | Fixed value*: (11001100b) | | | | | | | |
| 14 | Fixed value*: (11110001b) | | | | | | | |
| 15 | Fixed value*: (01111101b) | | | | | | | |
| 16 | Fixed value*: (00000b) | | | | | CMOS_INPUT | Fixed value*: (00b) | |

The fixed values are assigned by ams: Unless otherwise suggested, they should be set as shown in this table.

Detailed Configuration Register Description

All registers are read/write with 0 as default value, besides registers 13, 14 with 5 as default value.

Figure 24:
Configuration Register 0

| Addr: 0 | | Pin Enable Register |
|--|----------------------|---|
| Bit | Bit Name | Bit Description |
| <p>The PIN_ENA registers activate the LVDS input or output drivers of the related pins. Main purpose of PIN_ENA is cutting of current consumption of differential LVDS buffers to nearly zero. But also with CMOS input levels the pins have to be activated accordingly. Unused inputs has to be tied to VDD33.</p> | | |
| 0 to 3 | PIN_ENA1 to PIN_ENA4 | <p>Activation on stop event input pins STOP1 to STOP4</p> <p>0: Stop input pins not active</p> <p>1: Stop input pins active</p> |
| 4 | PIN_ENA_REFCLK | <p>0: REFCLK input pins not active</p> <p>1: REFCLK input pins active</p> |
| 5 | PIN_ENA_LVDS_OUT | <p>0: All LDVS output pins disabled</p> <p>1: Activation of LCLK and LCLKOUT pins. Activation of SDO1...4 and FRAME1...4, depends further on CHANNEL_COMBINE and PIN_ENA</p> |
| 6 | PIN_ENA_DISABLE | <p>0: Stop disable pin is not active. The stop measurement on all channels is always active according to configuration.</p> <p>1: Stop disable pin is active. The stop measurements are disabled if the DISABLE pin on the PCB is set to HIGH</p> |
| 7 | PIN_ENA_RSTIDX | <p>0: Deactivation of reference clock index counter reset pin</p> <p>1: Activation of reference clock index counter reset pin</p> |

Figure 25:
Configuration Register 1

| Addr: 1 | | Content |
|---------|-------------------------|--|
| Bit | Bit Name | Bit Description |
| 0 to 3 | HIT_ENA1 to HIT_ENA4 | 0: Stop events are internally rejected. The pin enabling of STOP1...4 is not affected. 1: Stop events are internally accepted and processed. Normal working condition |
| 4, 5 | CHANNEL_ COMBINE | The four stop channels may be combined for improved pulse pair resolution or higher conversion rate. 00b: Normal operation with four independent stop channels 01b: "Pulse distance" Stop events at STOP1 are measured alternatingly by stop channels 1 & 3 Stop events at STOP2 are measured alternatingly by stop channels 2 & 4 10b: "Pulse width" The rising edges at STOP1 are measured by stop channel 1 The falling edges at STOP1 are measured by stop channel 3 The rising edges at STOP2 are measured by stop channel 2 The falling edges at STOP2 are measured by stop channel 4 |
| 6, 7 | HIGH_ RESOLUTION | A stop event is internally delayed, measured several times and summed up in order to one result to increase the time resolution. = 0 (off): Off, standard resolution with minimal pulse-to-pulse spacing. = 1 (2x): A stop event is measured twice = 2 (4x): A stop event is measured four times |

Figure 26:
Configuration Register 2

| Addr: 2 | | Data Output |
|---------|-----------------------|--|
| Bit | Bit Name | Bit Description |
| 0 to 2 | REF_INDEX_BITWIDTH | Bit width of reference clock index in LVDS output (not applicable to SPI data readout) 000b: 0Bit, no data out 001b: 2Bits 010b: 4Bits 011b: 8Bits 100b: 16Bits 101b: 24Bits 110b: 6Bits 111b: 12Bits |
| 3, 4 | STOP_DATA_BITWIDTH | Bit width of the stop result in LVDS output. Bit width should be sufficient to represent the REFCLK_DIVISIONS configuration value (not applicable to SPI data readout) 00b: 14Bits → max of REFCLK_DIVISIONS = $2^{14}-1$ 01b: 16Bits → max of REFCLK_DIVISIONS = $2^{16}-1$ 10b: 18Bits → max of REFCLK_DIVISIONS = $2^{18}-1$ 11b: 20Bits → max of REFCLK_DIVISIONS = $2^{20}-1$ |
| 5 | LVDS_DOUBLE_DATA_RATE | 0: Single Data Read (SDR): The LVDS data clocked out on rising edges of LCLK-OUT 1: Double Data Read (DDR): The LVDS data are clocked on both edges of LCLK-OUT |
| 6 | COMMON_FIFO_READ | 0: LVDS: Operation with four independent stop channels SPI: INTERRUPT pin is set to zero, as soon as one FIFOs does have a value. OFF, operation with four independent stop channels 1: LVDS: All active frame pins are set simultaneous as soon as all related FIFOs have values. SPI: INTERRUPT pin is set to zero, as soon as all active FIFOs have value. In combination with BLOCKWISE_READ this option guaranties successive measurements in parallel on all stop channels |
| 7 | BLOCKWISE_FIFO_READ | 0: OFF, Operation with standard FIFO function 1: Data output (LVDS or SPI) is not started before a channel FIFO is full. Once FIFO is full, measurement is not restarted before FIFO is completely read-out. This option guaranties successive measurements at high stop event rate or slow read-out speeds (e.g. SPI) |

Figure 27:
Configuration Register 3, 4, 5

| Addr: 3, 4, 5 | | Reference Clock Divider |
|----------------------------|------------------|---|
| Bit | Bit Name | Bit Description |
| 0 to 7 0 to 7 0 to 3 | REFCLK_DIVISIONS | Defines a LSB at the output interface as fraction of the reference clock period. The most convenient way is applying a LSB of 1ps by configuring REFCLK_DIVISIONS to the picosecond value of the reference clock period address 3 lower 8bits, address 4 middle 8bits, address 5 upper 4bits |

Figure 28:
Configuration Register 6

| Addr: 6 | | Content |
|---------|-------------------|---|
| Bit | Bit Name | Bit Description |
| 4 | LVDS_TEST_PATTERN | 0: Normal operation of LVDS outputs 1: LVDS interface continuously outputs the following test patterns. All stop events are ignored. Reference index = 111100001100110010101010bin (=15781034dec) Stop result = 000010101010110011110000bin (=699632dec) Depending on the configuration of the output format width (REF_INDEX_BITWIDTH, STOP_DATA_BITWIDTH) only the corresponding lower bits are transmitted |
| 5 to 7 | Fixed value | 110b: Defined by ams |

Figure 29:
Configuration Register 7

| Addr: 7 | | Pin Enable Register |
|---------|------------------------|---|
| Bit | Bit Name | Bit Description |
| 0 to 3 | Fixed value | 0011b: Defined by ams |
| 4, 5 | LVDS_DATA_VALID_ADJUST | Adjustment of the data valid time at the LVDS output interface. 000b: - 160ps 001b: 0ps 010b: +160ps 011b: +320ps |
| 6 | Fixed value | 1b: Defined by ams |
| 7 | REFCLK_BY_XOSC | 0: Reference pulses have to be applied at REFCLK pins. The circuit for driving the external quartz is not in use. 1: The reference clock is generated by a quartz which is connected to the GPX2; REFCLK pins are not in use and should be disabled with PIN_ENA_REFCLK. |

For registers 8 to 15 use the default fixed values as shown in the register overview.

Figure 30:
Configuration Register 16

| Addr: 16 | | Pin Enable Register |
|----------|-------------|---|
| Bit | Bit Name | Bit Description |
| 0 to 1 | Fixed value | 00b: Defined by ams |
| 2 | CMOS_INPUT | Input voltage levels of STOP1 to STOP4, REFCLK, RSTIDX and DISABLE are selected as CMOS or LVDS 0: Differential LVDS input level. 1: Single ended CMOS input level Also with CMOS input level the pins have to be activated with according PIN_ENA-configuration |
| 3 to 7 | Fixed value | 00000b: Defined by ams |

Read Register Overview

All read registers are accessible via SPI Interface. Incremental read may start at any register address.

Figure 31:
Read Register Overview

| Addr | Name | <D6> |
|------|----------|-----------------------------|
| 0 | Status | n.c. |
| 1 | | n.c. |
| 2 | | n.c. |
| 3 | | n.c. |
| 4 | | n.c. |
| 5 | | n.c. |
| 6 | | n.c. |
| 7 | | n.c. |
| 8 | Channel1 | REFERENCE INDEX CH1 BYTE #3 |
| 9 | | REFERENCE INDEX CH1 BYTE #2 |
| 10 | | REFERENCE INDEX CH1 BYTE #1 |
| 11 | | STOP RESULT CH1 BYTE #3 |
| 12 | | STOP RESULT CH1 BYTE #2 |
| 13 | | STOP RESULT CH1 BYTE #1 |
| 14 | Channel2 | REFERENCE INDEX CH2 BYTE #3 |
| 15 | | REFERENCE INDEX CH2 BYTE #2 |
| 16 | | REFERENCE INDEX CH2 BYTE #1 |
| 17 | | STOP RESULT CH2 BYTE #3 |
| 18 | | STOP RESULT CH2 BYTE #2 |
| 19 | | STOP RESULT CH2 BYTE #1 |
| 20 | Channel3 | REFERENCE INDEX CH3 BYTE #3 |
| 21 | | REFERENCE INDEX CH3 BYTE #2 |
| 22 | | REFERENCE INDEX CH3 BYTE#1 |
| 23 | | STOP RESULT CH3 BYTE #3 |
| 24 | | STOP RESULT CH3 BYTE #2 |
| 25 | | STOP RESULT CH3 BYTE #1 |

| Addr | Name | <D6> |
|------|----------|-----------------------------|
| 26 | Channel4 | REFERENCE INDEX CH4 BYTE #3 |
| 27 | | REFERENCE INDEX CH4 BYTE #2 |
| 28 | | REFERENCE INDEX CH4 BYTE #1 |
| 29 | | STOP RESULT CH4 BYTE #3 |
| 30 | | STOP RESULT CH4 BYTE #2 |
| 31 | | STOP RESULT CH4 BYTE #1 |

Detailed Description

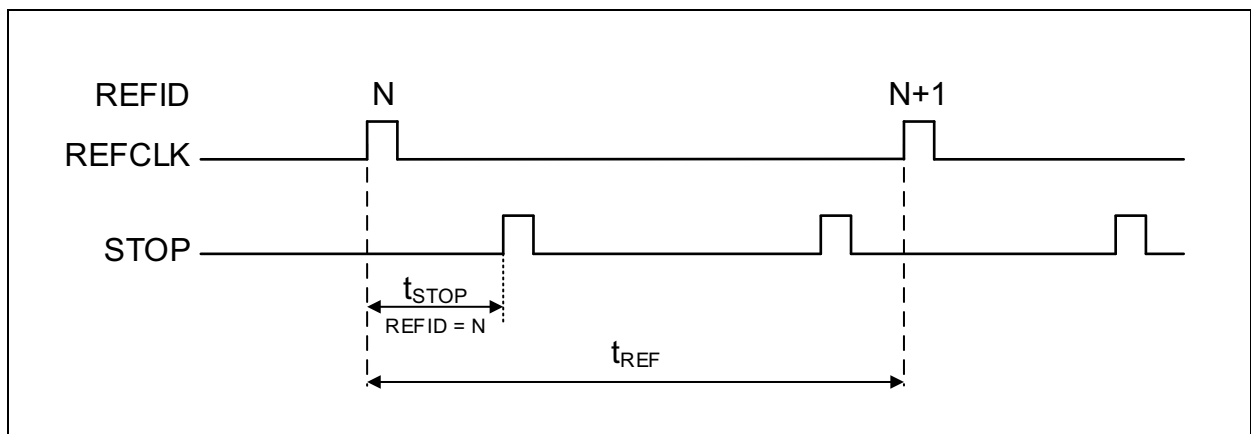
Time Measurements and Results

Measurements of TDC-GPX2

The reference clock is the framework for all time measurements. The clock pulses are measured continuously by the TDC as time reference point for stop pulses and as internal reference period. The measurement of the stop events always refers to the preceding reference clock. Additionally, the reference clock is counted continuously and the actual count is assigned as reference index to a stop pulse.

- t_{REF} is the internal TDC measurement of the reference clock period
- t_{STOP} is the internal TDC measurement of a stop to the preceding reference clock
- **REFID** is the index of reference period where the measured stop occurred

Figure 32:
TDC-GPX2 Time Measurement



Output Results

Each stop generates a dataset which consists of two values **TSTOP** and **REFID**:

REFID is the reference index of the preceding reference clock pulse to TSTOP. The reference index is necessary to indicate the relationship of stop pulses which belong to different reference clock periods. The maximum length of the reference index is 24 bits.

TSTOP is the ratio of the internal measured times of t_{STOP} over t_{REF} scaled by the configured REFCLK_DIVISIONS. The readout result TSTOP is always less than configured REFCLK_DIVISIONS. The resulting LSB at the output interface has to be chosen much lower than the single shot resolution of GPX2. For details see chapter "[Coding of Results](#)". Suitable values are e.g. 1ps, 5ps or 10ps.

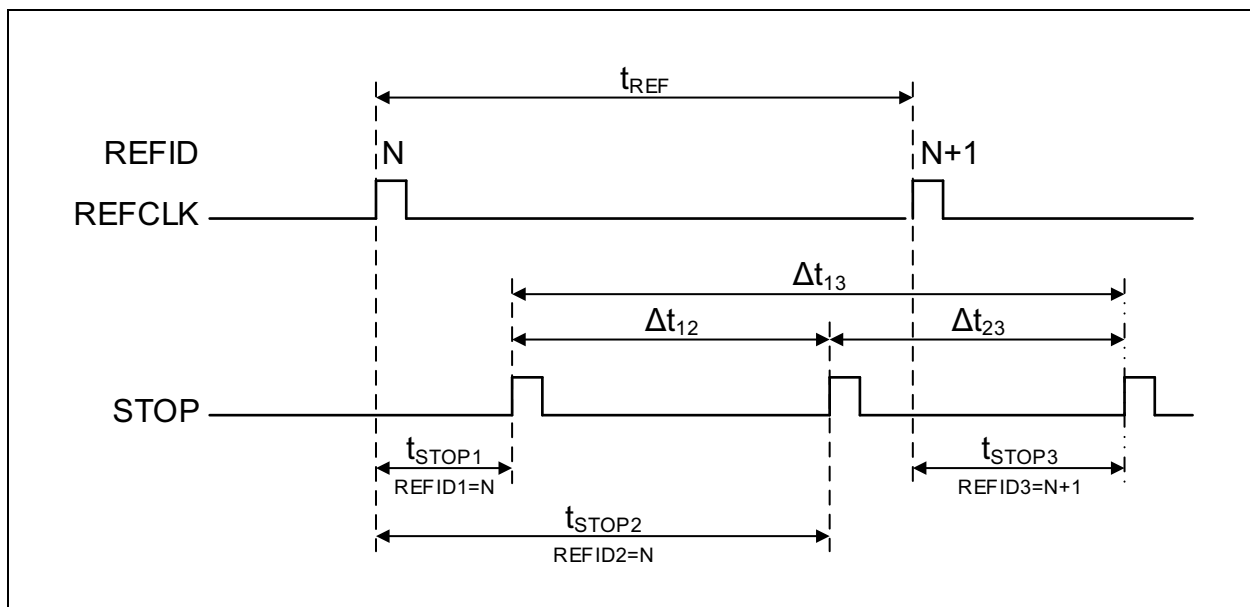
Figure 33:
 t_{STOP} Calculation

$$t_{STOP} = \underbrace{\frac{T_{STOP}}{t_{REF}} \times REFCLK_DIVISIONS}_{\substack{\text{Ratio of internal} \\ \text{time measurements} \\ \text{Internal calculated result for read-out}}} \times \underbrace{\frac{t_{REFCLK-PERIOD}}{REFCLK_DIVISIONS}}_{\substack{\text{LSB resulting by the} \\ \text{period of the applied} \\ \text{reference clock} \\ \text{and by the configured} \\ \text{REFCLK_DIVISIONS}}}$$

Calculation of Time Differences

The results of the GPX2 are the time intervals from stop event pulses to the preceding reference clock pulses. In many applications the time difference between stop event pulses is desired. This happens e.g. in case of a quartz as a reference clock. Depending on the application and the measurement setup, several approaches are possible to calculate the time between two stops in the connected microprocessor or FPGA.

Figure 34:
Calculating Time Differences



General Approach

On the output interface, either SPI or LVDS, both data REFID and TSTOP are available. With these data it is possible to calculate time differences between stops. The maximum time difference depends on the bit width of the reference index (see also chapter “[Maximum Time Differences](#)” between stops depending on the reference index bit width)

$$\Delta t_{13} = (TSTOP3 - TSTOP1) + (REFID3 - REFID1) * REFCLK_DIVISIONS$$

In two special cases it is not necessary to readout the REFID:

Stops in the Same Reference Clock Period

In applications where stops occur always in the same reference period (e.g. STOP1 & STOP2), it is not necessary to read out the reference index. It is sufficient just read out the stop results and to calculate the difference:

$$\Delta t_{12} = TSTOP2 - TSTOP1; REFID2 = REFID1$$

Time Difference Smaller Than Reference Clock

In applications where the measured time difference Δt is always smaller than the reference clock period T_{REF} but not necessarily in the same reference clock period (e.g. STOP2 & STOP3), it is often sufficient to read out just the stop results without the reference index by distinguishing positive and negative time difference:

If $TSTOP3 - TSTOP2 > 0$

- $\Delta t_{23} = (TSTOP3 - TSTOP2)$

If $TSTOP3 - TSTOP2 < 0$ and $\Delta T < REFCLK_DIVISIONS$

- $\Delta t_{23} = (TSTOP3 - TSTOP2) + REFCLK_DIVISIONS$

Resolution

RMS-Resolution Versus Effective Resolution

The RMS resolution of a TDC is the root-mean-square-value of a set of single shot time measurements. TDC do not have an obvious full scale definition, as the time they are measuring is unlimited. Therefore, the definition of an effective resolution in number of bits likewise in ADC is not feasible.

High Resolution

For achieving best single-shot RMS resolution, GPX2 offers a complete integrated solution. During the initial sampling the stop event is internally delayed and sampled again, after the first sample was stored in the FIFO. All samples of one stop event are averaged inside of the GPX2 and occur as one result with lower conversion noise at the output interface. With HIGH_RESOLUTION it is possible to configure internal 2 or 4 samples of one event. Due of the internal delay and the multiple samples the conversion latency t_{conv} and the pulse-to-pulse spacing t_{PPS} increase as well as the maximum FIFO_DEPTH decreases. In order to compensate these drawbacks, it is possible to use HIGH_RESOLUTION with both CHANNEL_COMBINATION modes and to achieve the excellent pulse-to-pulse spacing of channel combination mode, doubled FIFO depth per stop input and higher resolution.

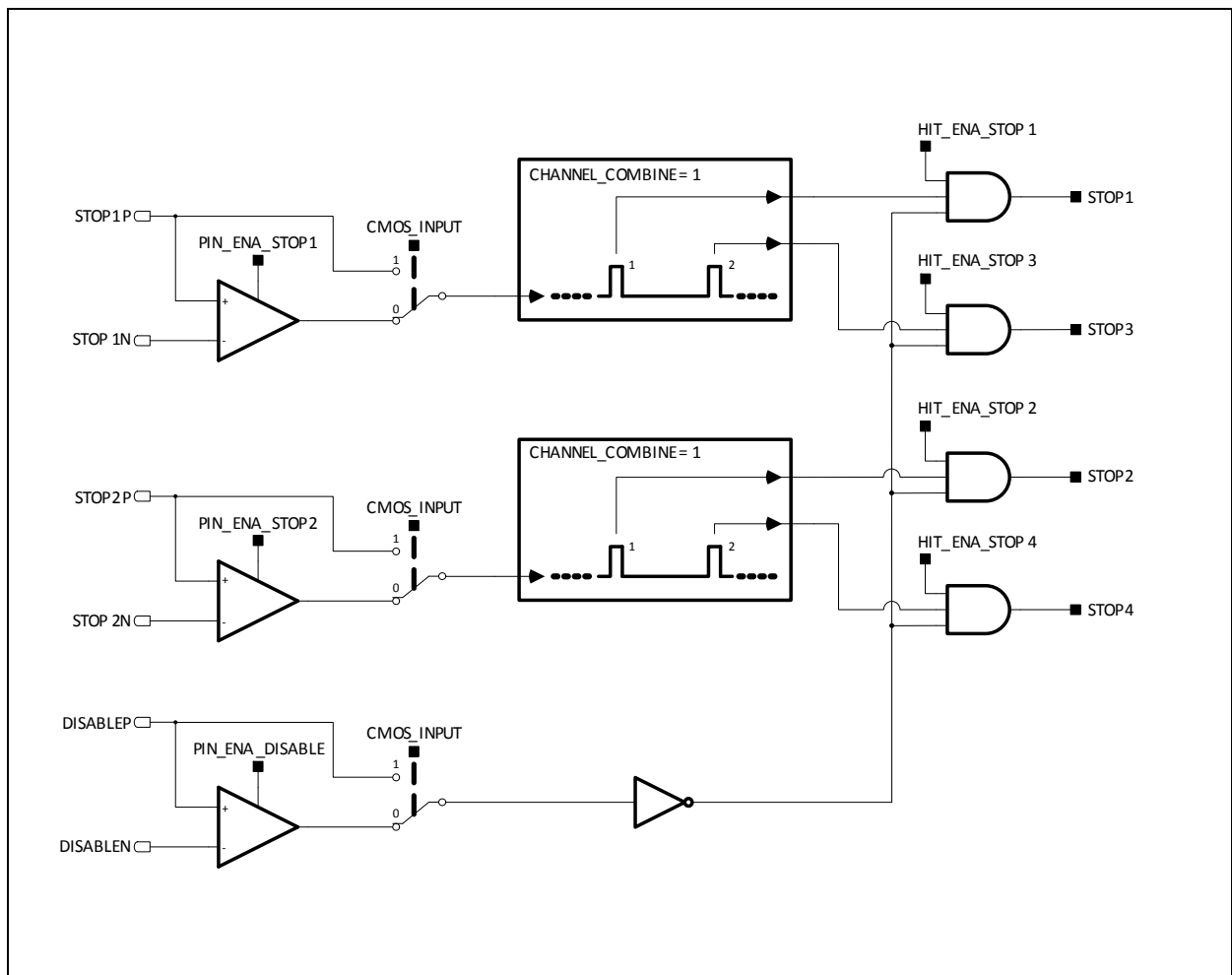
Combining Two Stop Channels

Channel Combination for Low Pulse-to-Pulse Spacing

With CHANNEL_COMBINE set to “PULSE_SPACING”, two stop channels 1 & 3 (and 2 & 4) are connected to one input pin STOP1 (and STOP2). The stop events at the input pin are distributed alternately between the combined channels. Readout is indicated via FRAME or INTERRUPT pins when both channels have results in their FIFO. The advantage of combining channels lies in improved pulse-to-pulse spacing

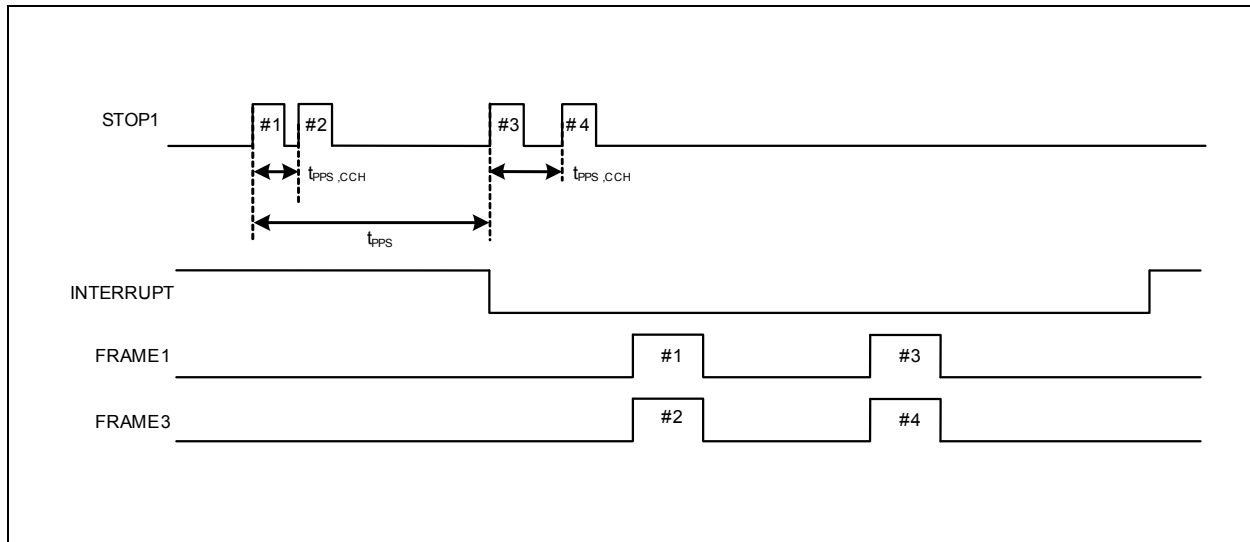
- Excellent pulse-to-pulse spacing
- Doubled FIFO depth per stop input pin
- Higher burst storage capability
- Doubled LVDS readout rate per stop input pin
- HIGH_RESOLUTION is applicable

Figure 35:
Channel Combination Low Pulse-to-Pulse Spacing



The outstanding low pulse-to-pulse spacing $t_{PPS,CCH}$ is achievable only for a single pulse pair. After a pulse pair, the regular pulse-to-pulse spacing t_{PPS} must be awaited, before capturing the next pulse becomes possible. Measurements with HIGH_RESOLUTION will increase the regular pulse-to-pulse spacing but the low pulse-to-pulse spacing $t_{PPS,CCH}$ is not affected.

Figure 36:
Channel Combination Low Pulse-to-Pulse Spacing



Note(s):

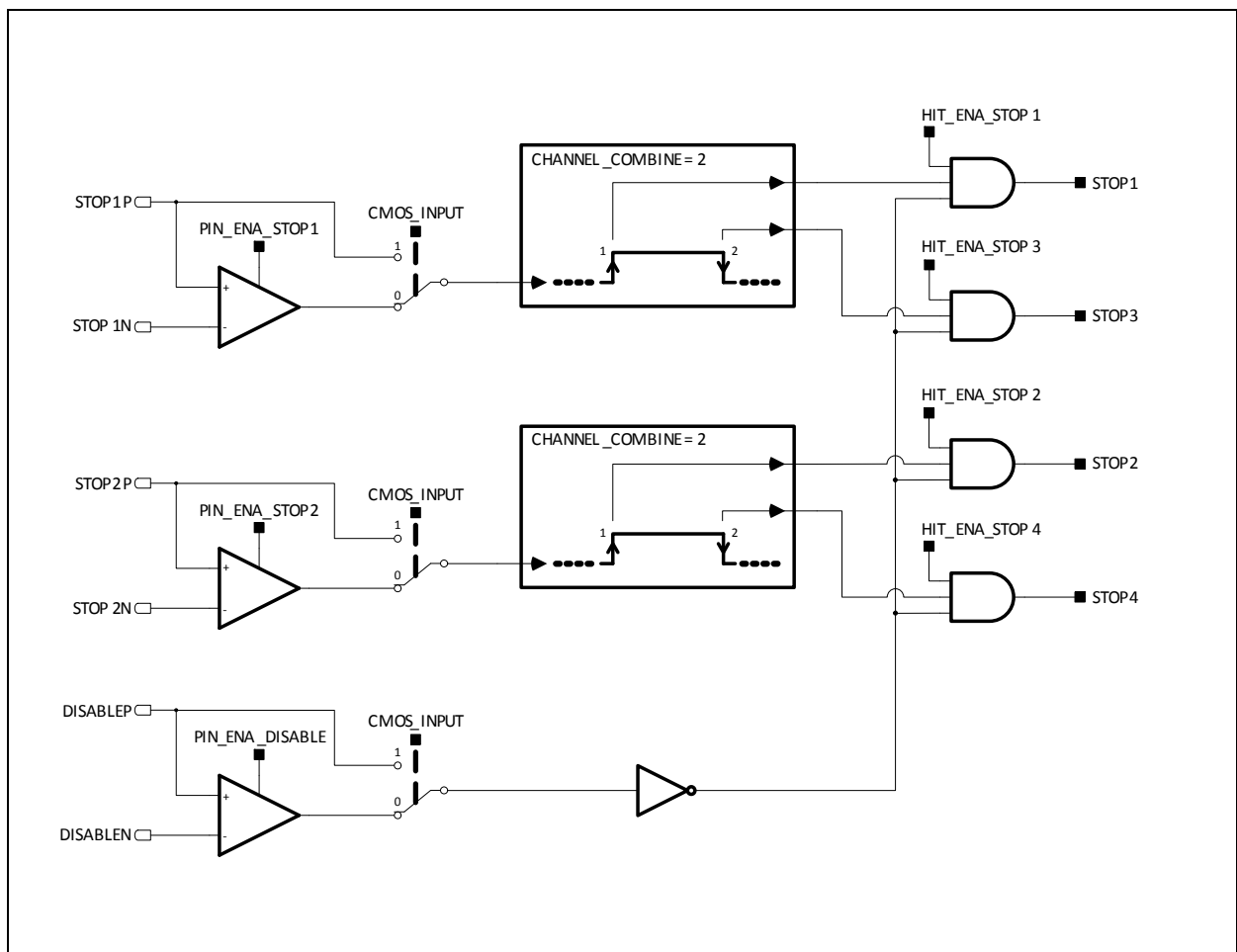
- With LVDS outputs the FRAME pins of combined channels are active together
- SPI readout of combined channel pairs is permitted only pairwise like ch1-ch3-ch1-ch3-... or ch2-ch4-ch2-ch4-... . Also incremental readout like ch1-ch2-ch3-ch4... is possible. But it is not permitted to read one channel twice like ch1-ch1-ch3-ch3-.. or ch2-ch2-ch4-ch4....

Channel Combination for Pulse Width Measurement

With CHANNEL_COMBINE set to “PULSE_WIDTH” two internal stop channels 1&3 (and 2&4) are connected to one input pin STOP1 (and STOP2). The rising edges are measured by channel 1 (2), falling edges are measured by channel 3 (4). Readout starts on both channels simultaneous when a rising and falling edge was measured.

- HIGH_RESOLUTION or COMMON_FIFO_READ is fully applicable

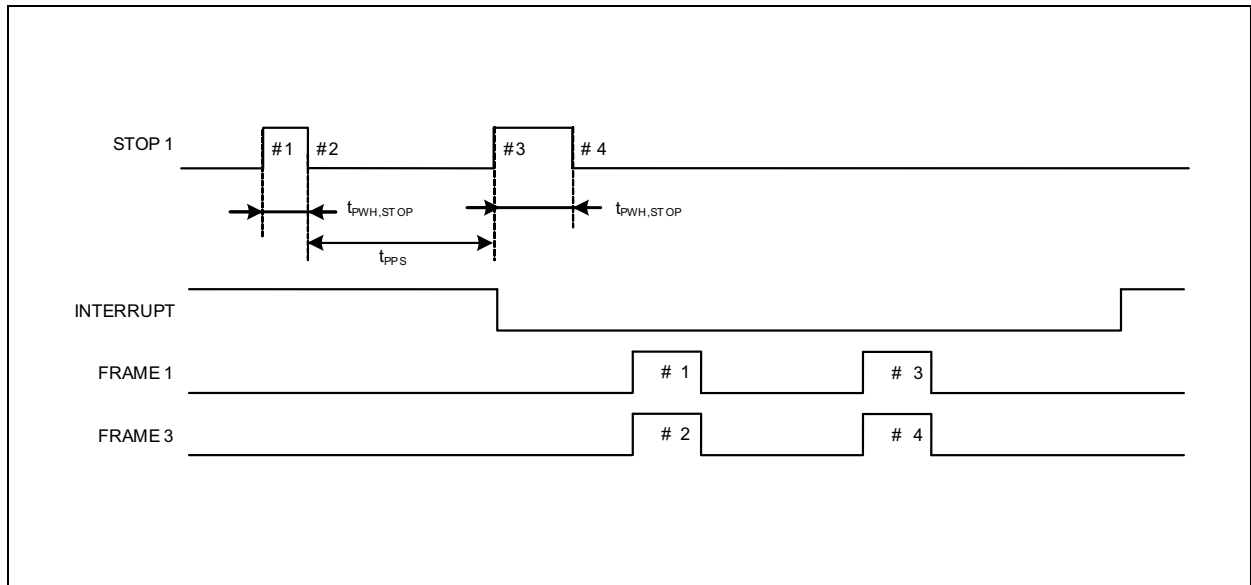
Figure 37:
Channel Combination for Pulse Width Measurement



Note(s):

1. For internal processing reasons, after the conversion latency t_{PP5} must be waited before capturing the next pulse. Measurements with HIGH_RESOLUTION will increase the conversion latency but minimum pulse width $t_{PWH,STOP}$ is not affected.

Figure 38:
Channel Combination Pulse Width Measurement



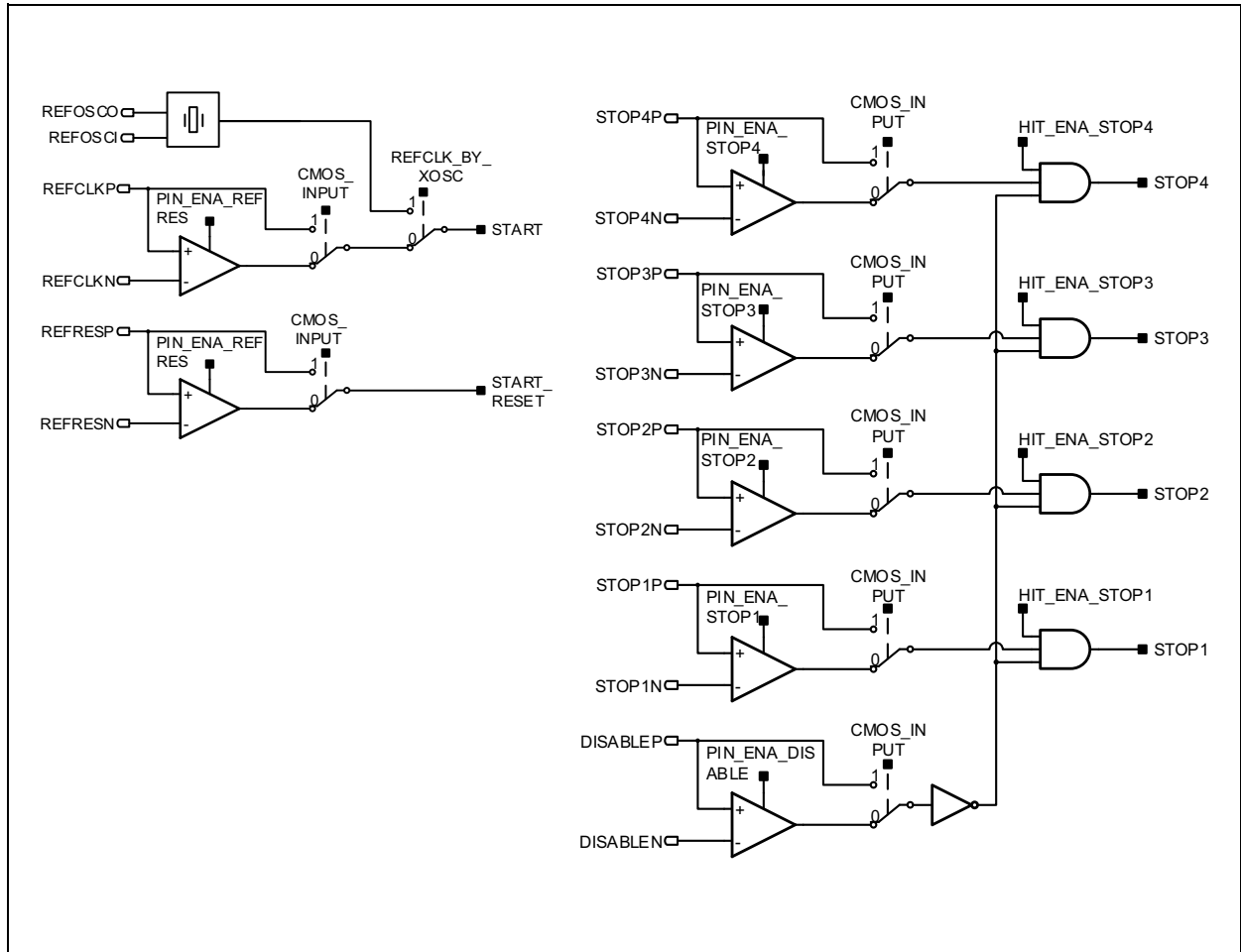
Note(s):

- With LVDS output the FRAME pins of combined channels are active together
- SPI readout of combined channel pairs is permitted only pairwise like ch1-ch3-ch1-ch3-... or ch2-ch4-ch2-ch4-.... Also incremental readout like ch1-ch2-ch3-ch4... is possible. But it is not permitted to read one channel twice like ch1-ch1-ch3-ch3-.. or ch2-ch2-ch4-ch4....

Input Pins for Time Measurement

The following diagram show the relevant input pins for the reference and the stops.

Figure 39:
Input Circuitry



REFCLKP/N: Reference Clock Input

The reference clock serves as universal time base. Due to internal averaging, the phase jitter of the reference clock is non-critical. The accuracy and drift of the reference clock also does not affect the proper working of GPX2 itself. But it will directly affect the quality of the time measurement results.

REFOSCI/O: Quartz Driver as Reference Clock

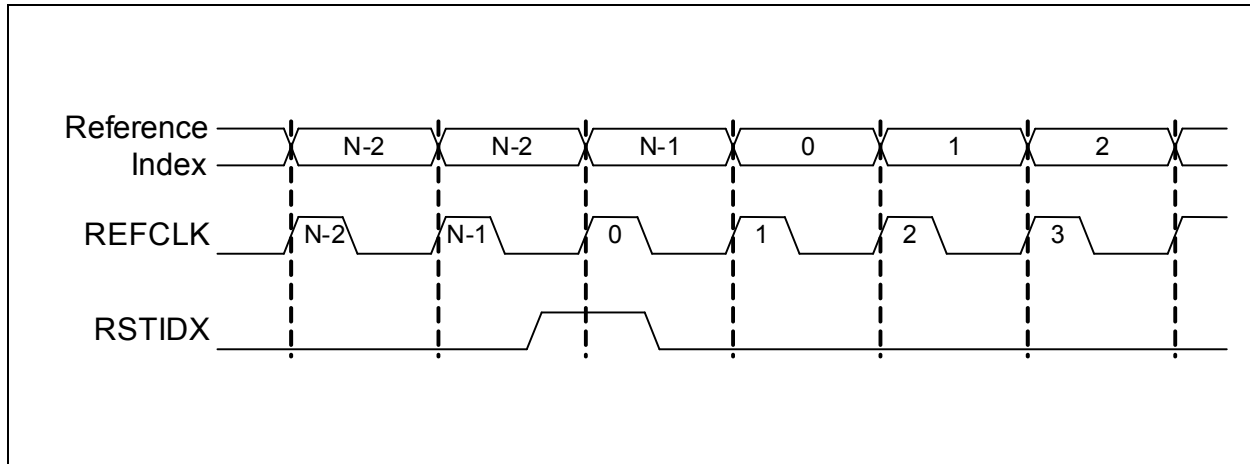
Note(s): The quartz is not mandatory for operation of GPX2.

The quartz is just an optional source for the reference clock. It can be used instead of a clock signal at the reference clock pin. Therefore REFCLK pins should be disabled. With a quartz as reference clock usually the time difference between stops channels is relevant (see chapter “[Calculation of Time Differences](#)”). The use of COMMON_FIFO_READ and BLOCKWISE_FIFO_READ can help to measure and read out associated stop results together.

RSTIDXP/N: Reference Index Counter Reset

With pin RSTIDX the internal counter for the reference index is set back to zero. This option may simply the overview on the reference index in the output data stream. RSTIDX is applied synchronously to the reference clock for a single period. Therefore one reference clock cycle passes, before stop events are assigned with zero as reference index. The pin has to be activated with PIN_ENA_RSTIDX.

Figure 40:
Reference Index Counter Reset



STOP1...STOP4P/N: Stop Channels

Inputs for the stop signals. The positive edges of the stop signals are measured versus the preceding reference clock edge.

The chip has four independent stop channels. With CHANNEL_COMBINE variations of this normal operation mode can be achieved.

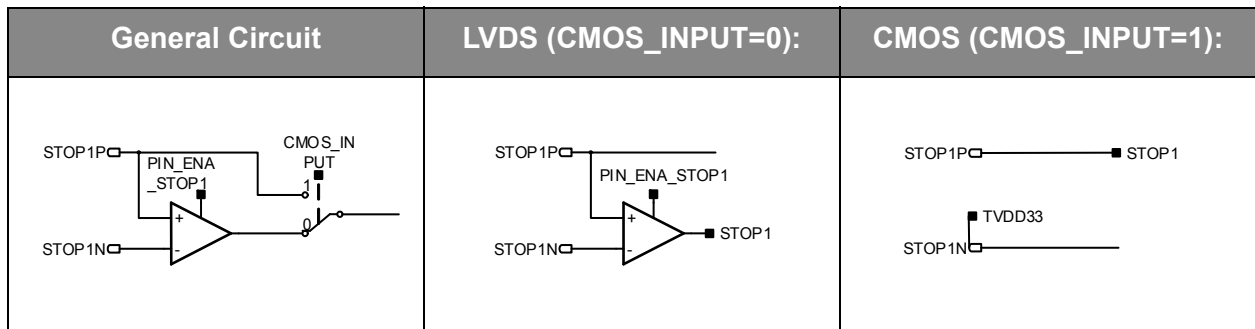
DISABLE/N: Stop Disable

With setting stop disable pin to HIGH, the measurement on all four stops is disabled. The reference clock is not affected and internal reference measurements are continued. The DISABLE should meet the timing requirement with regards to a stop event. The pin has to be activated by configuring PIN_ENA_DISABLE to 1.

Input Levels, CMOS or LVDS

All input pins, STOP1 to STOP4, REFCLK, RSTIDX and DISABLE, can be switched in common to CMOS input levels with CMOS_INPUT configuration. Tie the unused negative inputs to TVDD33.

Figure 41:
CMOS-LVDS



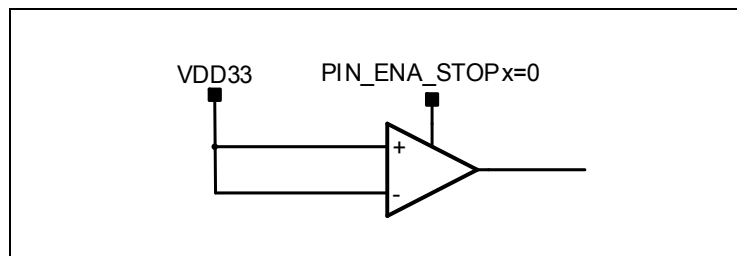
Termination of Differential LVDS Input Pin

Integrated termination is not provided. It is necessary to place termination resistors on the PCB near to the input pins. The default termination for LVDS signals is to have single 100Ω resistors between the differential lines.

Connection of Unused LVDS Inputs

Any kind of unused LVDS inputs (e.g. STOP1 to STOP4, REFCLK, RSTIDX, DISABLE, LCLKIN) have to be pulled up to VDD33 and disabled by setting PIN_ENA to zero. Unused channels should also be switched off with HIT_ENA_STOP1...4.

Figure 42:
Unused LVDS



Software Enable (HIT_ENA_STOP1...4)

Setting the configuration bits HIT_ENA_STOP1 to HIT_ENA_STOP4 applies a software enable for stop channels 1 to 4.

Pin Enable (PIN_ENA_xxx)

The pin enable registers PIN_ENA_STOP1 to PIN_ENA_STOP4, PIN_ENA_REFCLK, PIN_ENA_RSTIDX and PIN_ENA_DISABLE activate the LVDS input or output drivers of the related pins. Main purpose of PIN_ENA is cutting of current consumption of unused differential LVDS buffer to nearly zero. But also with CMOS_INPUTs the pin need to be activated. In case of the LVDS output interface, PIN_ENA_STOP1 to PIN_ENA_STOP4 enable also the according LVDS output drivers.

LVDS Output Interface

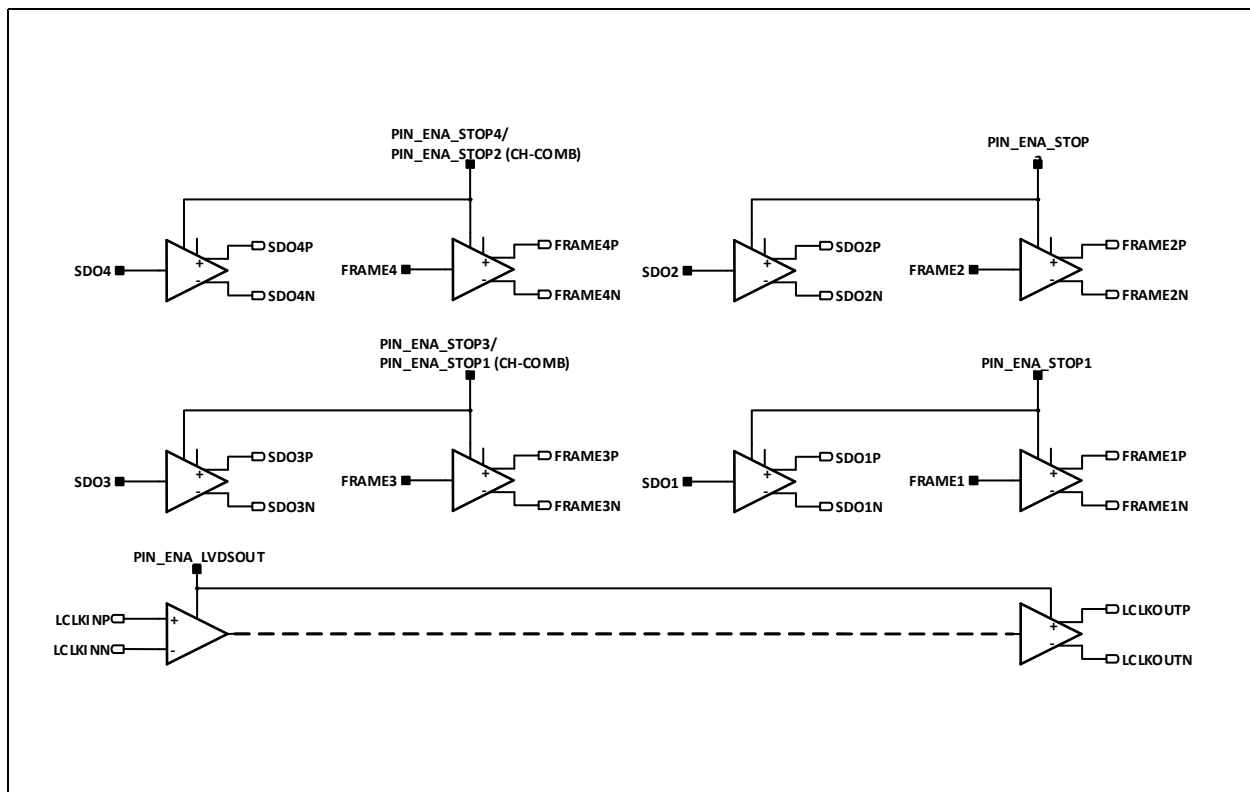
Digital Output Interface

Each stop channel has its own serial interface with a data output SDO pin and a FRAME pin to indicate the MSB. Data output is supported on falling edges (SDR, single data read) or rising and falling edges (DDR, double data read). The operating clock is looped from LCLKIN through the chip to LCLKOUT pin. The data at SDO and FRAME pins have stable timing relation a $t_{DV,LVDS}$ to LCLKOUT. The FRAME indicate the first 8bits of an output sequence. On the SDO pin the reference index is output first, and the stop result follows that. The bit width of both results is configurable by STOP_DATA_BITWIDTH and REF_INDEX_BITWIDTH. With careful configuration data overhead can be avoided in favor of higher conversion rates.

Output Setup and Configuration:

LVDS output interface is activated configuring LVDS_ENA_ LVDSOUT = 1. The clock at the input LCLKIN is looped through the chip to pins LCLKOUT. The phase of SDO and FRAME pins are in stable relation to LCLKOUT. The SDO and FRAME pins needed for output are activated according to the configuration of PAD_ENA_STOP1 to PAD_ENA_STOP4 and CHANNEL_COMBINE.

Figure 43:
LVDS Outputs



LVDS Output Buffers

The LVDS output buffers SDO1 to SDO4, FRAME1 to FRAME4, and LCLKOUT are designed for 200mV voltage swing with external 100Ω termination.

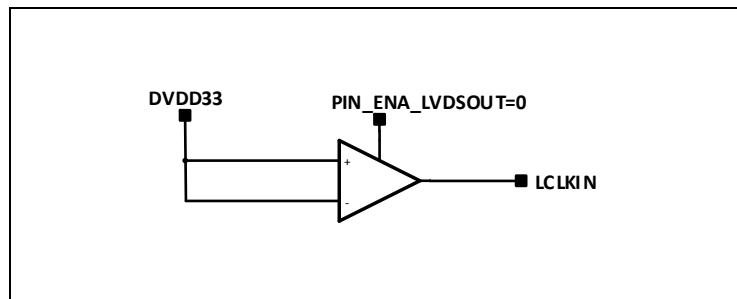
Unused LVDS output buffers can be left open.

Differential LCLKIN Input

Termination: No integrated termination resistors are provided. A termination resistor of 100Ω should be placed near the input pin.

Connection of unused LCLKIN input: LCLKIN input has to be pulled up to VDD33 and disabled by configuring PIN_ENA_LVDSOUT=0.

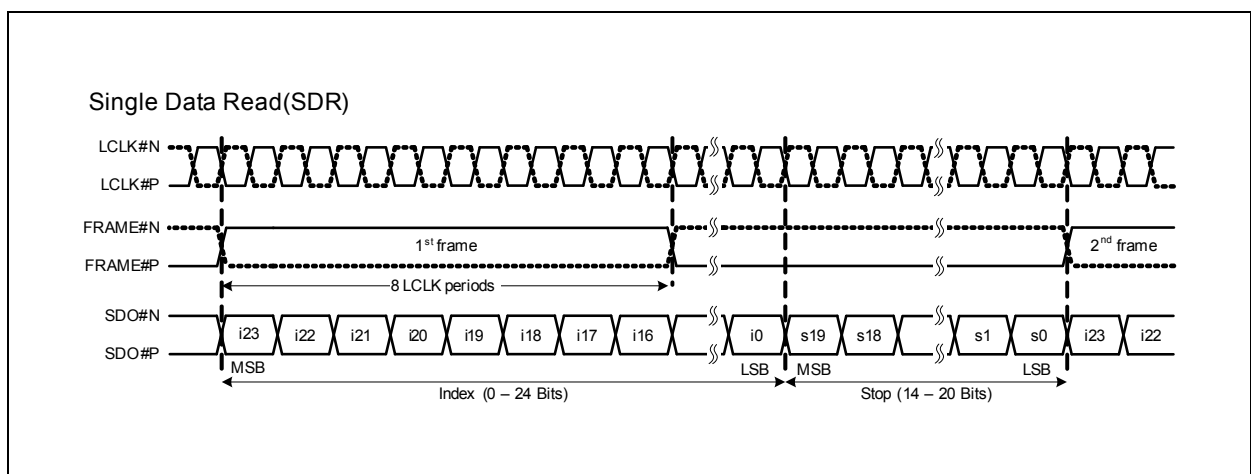
Figure 44:
LCLKIN Input



LVDS Single Data Read Output Interface (SDR)

In single data read mode (LVDS_DOUBLE_DATA_RATE = 0) the data and frame bits are clocked on the falling edge of LVDS output clock LCLKOUT. The data bits are stable during the following rising edge of LCLKOUT.

Figure 45:
LVDS Outputs



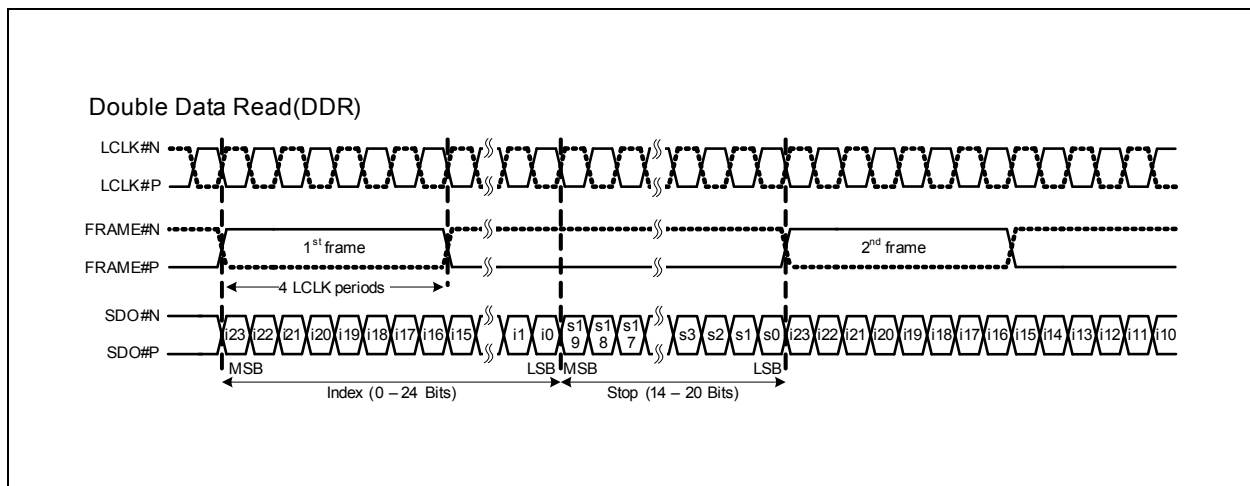
Note(s):

1. Bit width of the reference index and the stop result is configured by STOP_DATA_BITWIDTH and REF_INDEX_BITWIDTH

LVDS Double Data Read Output Interface (DDR)

With double data read mode the readout rate is doubled or alternatively the LVDS clock frequency can be halved with constant readout rate. The data and frame bits are clocked on rising and falling edges of LCLKOUT. Both bits, data and frame, are delayed by $t_{DV,LVDS}$ to LCLKOUT in order to grant sufficient hold time for the receiving device. With configuration parameter LVDS_DATA_VALID_ADJUST the delay can be adjusted for all LVDS outputs in common.

Figure 46:
LVDS Outputs



Note(s):

1. Bit width of the reference index and the stop result is configured by STOP_DATA_BITWIDTH and REF_INDEX_BITWIDTH

LVDS Output Test Pattern

Setting LVDS_TEST_PATTERN = 1 the interface continuously outputs the following fixed test patterns. All stop events are ignored.

Reference index = 111100001100110010101010bin (=15781034dec)

Stop result = 00001010101011001110000bin (=699632dec)

Depending on the configuration of the output format width (REF_INDEX_BITWIDTH, STOP_DATA_BITWIDTH) only the corresponding lower bits of the reference index and the stop result are transmitted.

SPI Communication Interface

General

The SPI interface is implemented to

- Reset the chip to power on state
- Write configuration registers
- Verify configuration or status registers
- Initialize and restart measurements
- Byte-wise readout of results from the read registers (see [Figure 31](#)) via SPI instead via serial LVDS outputs

The serial interface is compatible with the 4-wire SPI standard in Motorola specification:

- Clock Phase Bit = 1
- Clock Polarity Bit = 0

Detailed Pin Description

Pin SSN

The 'Slave Select Not' line is the HIGH-active reset for the serial interface. When set to LOW, the interface is ready for serial shift of data into or out of the device. Each access POR, INIT, READ or WRITE has to start with a positive pulse on SSN.

Pin SCK

The 'Serial Clock' line is the driving clock which starts at LOW level and expects HIGH active pulses.

Pin MOSI

The 'Master Out Slave In' line is the serial data input of the device. Data takeover is done with the falling edge of SCK. The MSB is sent first.

Pin MISO

At 'Master In Slave Out' line, the serial data are clocked out of the chip with the rising edge of SCK. When SSN is set to HIGH, then the data output pin MISO is in high-Z state. The MSB is sent first.

Pin INTERRUPT

A low level at the interrupt pin indicates to the receiving device that data are available.

Pin PARITY

Monitoring the chip is possible by observing the PARITY pin. It indicates whether the sum of all configuration bits is even (Parity = 0) or odd (Parity = 1).

Communication Commands (Opcodes)

Figure 47:
Opcodes Overview

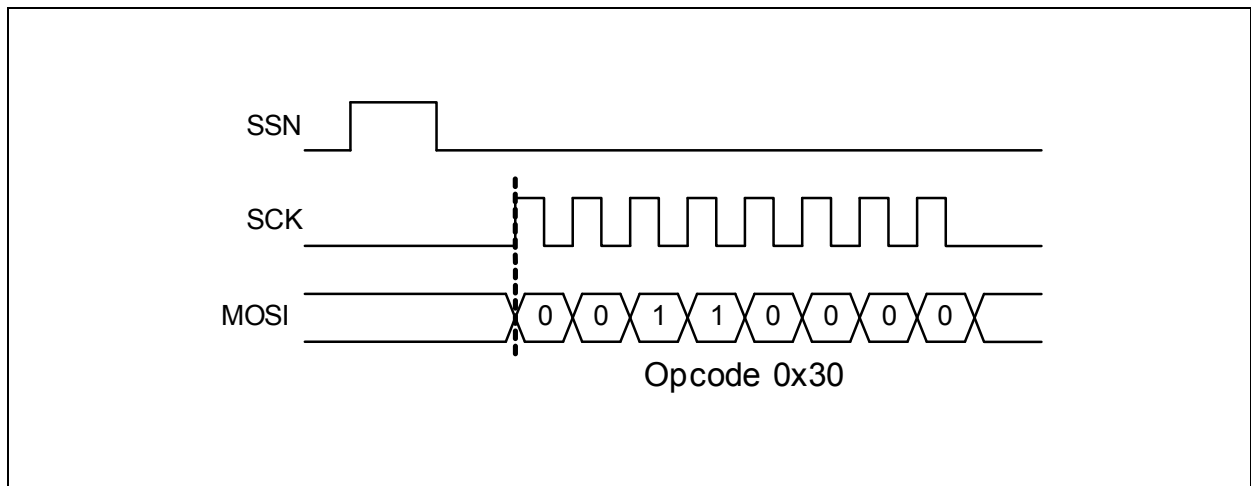
| Opcode | HEX / BIN | Description |
|---------------------|-------------------|--|
| spiopc_power | 0x30 = 0b00110000 | Power on reset and stop measurement |
| spiopc_init | 0x18 = 0b00011000 | Initializes Chip and starts measurement |
| spiopc_write_config | 0x80 = 0b100XXXXX | Write to configuration register X=0..17 |
| spiopc_read_results | 0x60 = 0b011XXXXX | Read opcode for result and status register X=8..31 |
| spiopc_read_config | 0x40 = 0b010XXXXX | Readout of configuration register X=0..17 |

Detailed Command Description

Power-ON Reset

After stabilization of all VDD33 and VDD18 the device expects the opcode `spiopc_power = 0x30` to be sent via the SPI interface for power on reset. After the last bit of the opcode the reset remains active during $t_{HD,SSN}$ before the device is ready for the next read or write access. After the reset, the measurement is stopped and the configuration registers are set to internal defaults of the chip.

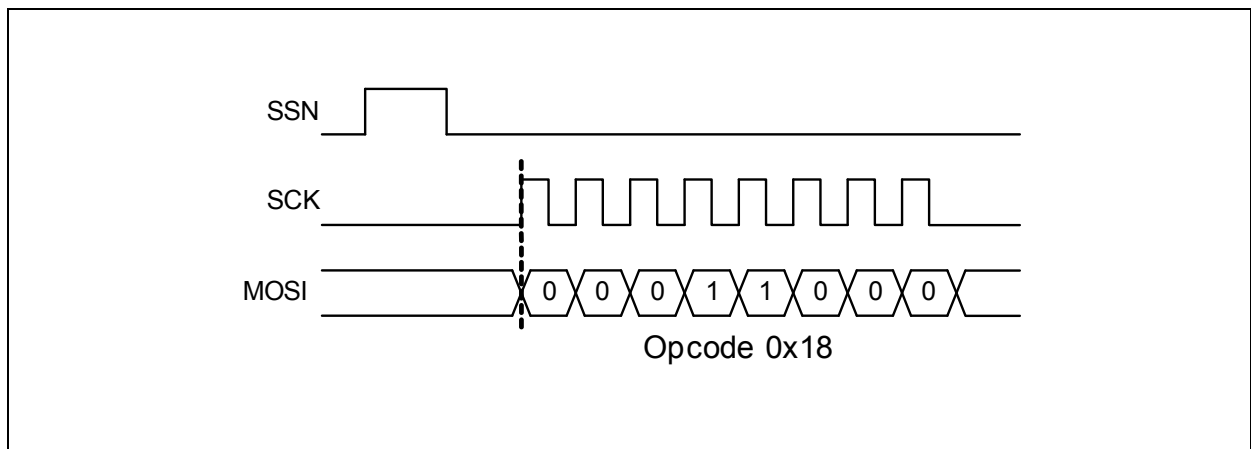
Figure 48:
Power-On Reset Opcode



Initialization Reset

After the configuration, the initialization opcode `spiopc_init=0x18` resets again the chip to power on state, but preserves the configuration and starts the measurement. The initialization reset can be send while the reference clock or stops are applied. It takes 16 pulses of the reference clock before the stop channels are opened internally. After the initialization reset the delay t_{POR} has to be waited before next communication. The initialization reset can be applied also during measurements to restart the chip, but preserves measured data in FIFOs.

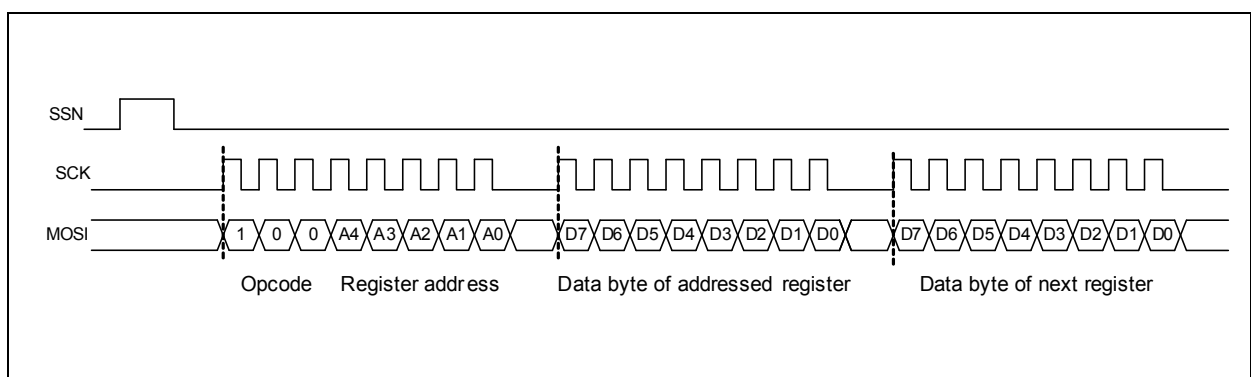
Figure 49:
Initialization Reset Opcode



Write / Incremental Write

Write access is permitted to the configuration registers exclusively. The access starts by sending the opcode `spiopc_write_config = 0x80` after a positive SSN pulse. The register address is just added to `spiopc_write_config`. The data are sent after the opcode. Incremental write access to the successive registers is possible by sending the next data bytes. A complete configuration starts normally at register 0, followed by all register data bytes.

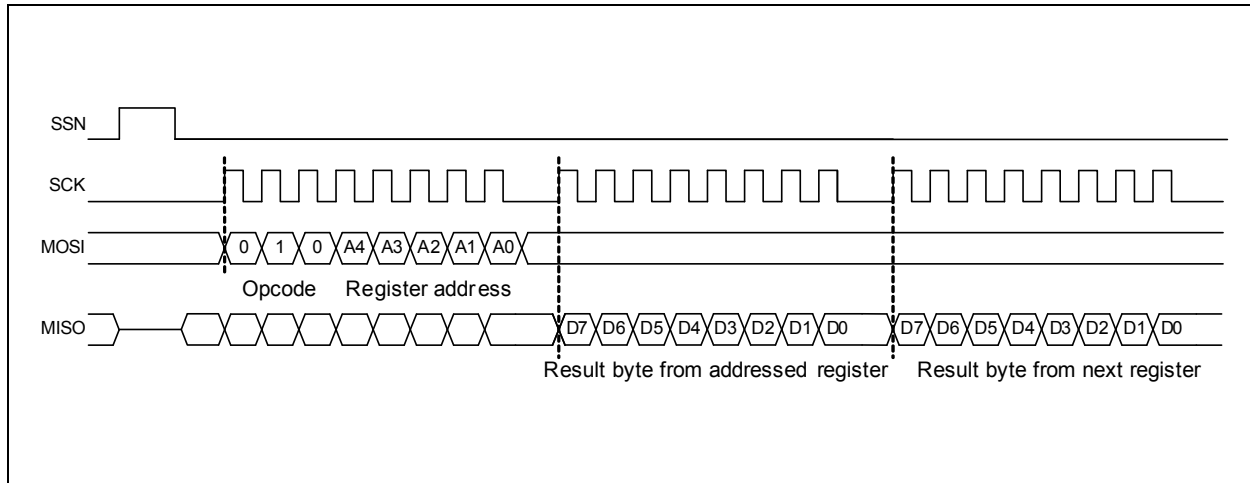
Figure 50:
SPI Incremental Write



Read / Incremental Read

The read access to registers starts by sending the opcodes `spiopc_read_results = 0x60` or `spiopc_read_config = 0x40` after a positive SSN pulse. The register address is just added to the opcode. After the opcode the data are clocked out at the MISO line. Incremental read access to following registers is possible by continuously reading bytes. Each register is suitable as start address for incremental access.

Figure 51:
SPI Incremental Read



Using SPI Interface for Read-Out of Stop Results

Reading results byte-wise from TDC-GPX2 e.g. by an external microcontroller is fully supported. While using the SPI interface, data read by LVDS has to be suppressed by setting `PIN_ENA_LVDS_OUT` to zero or at least by not applying a clock at LCLKIN.

When reading an empty channel the results of `REFINDEX` and `STOPRESULT` are marked with `0xFFFFFFFF`. Typically, the measurement rate of TDC-GPX2 is much higher than the readout rate possible with SPI. In this case using `COMMON_FIFO_READ` and `BLOCKWISE_FIFO_READ` is helpful to get sequential results which were measured in parallel in TDC-GPX2.

`REF_INDEX_BITWIDTH` and `STOP_DATA_BITWIDTH` are not relevant for reading via SPI.

Coding of Results

Configuration of LSB by REFCLK_DIVISIONS

The reference clock period is divided into subdivisions by REFCLK_DIVISIONS for the definition of the LSB of the stop results at the output interface. One subdivision corresponds to the LSB and the stop results are scaled into multiples of this LSB. In order to avoid quantization artefacts of the output interface, the resulting LSB has to be much smaller than the single shot resolution of GPX2. The most convenient way is choosing an LSB of 1ps by configuring REFCLK_DIVISIONS to the picosecond value of the reference clock period. Other LSB settings are possible as well, like LSB of 5ps or 10ps.

Figure 52:
LSB Configuration

| Reference Clock Period | Reference Clock Frequency | REFCLK_DIVISIONS LSB = 1ps | REFCLK_DIVISIONS LSB = 5ps | REFCLK_DIVISIONS LSB = 10ps |
|------------------------|---------------------------|-------------------------------|-------------------------------|--------------------------------|
| 500ns | 2MHz | 500000 | 100000 | 50000 |
| 250ns | 4MHz | 250000 | 50000 | 25000 |
| 200ns | 5MHz | 200000 | 40000 | 20000 |
| 100ns | 10MHz | 100000 | 20000 | 10000 |
| 50ns | 20MHz | 50000 | 10000 | 5000 |

Note(s):

1. For LVDS output, REFCLK_DIVISIONS must not exceed the result bit width defined by STOP_DATA_BITWIDTH

Examples for Codes of Time Measurements Results

Figure 53:
LSB Configuration

| Readout of Stop Result | | Resulting Stop Time with An Assumed LSB of | | | Note | |
|------------------------|---------|--|-------------------------|--------------|---|-------|
| Hexadecimal | Decimal | LSB = 1ps | LSB = 5ps | LSB = 10ps | | |
| 0x0 | 0 | 0ps | 0ps | 0ps | | |
| 0x1 | 1 | 1ps | 5ps | 10ps | | |
| 0x2 | 2 | 2ps | 10ps | 20ps | | |
| 0xA | 10 | 10ps | 50ps | 100ps | | |
| 0x64 | 100 | 100ps | 500ps | 1000ps | | |
| 0x3E8 | 1000 | 1000ps | 5000ps | 10000ps | | |
| 0x2710 | 10000 | 10000ps | 50000ps | 100000ps | | |
| 0x61A7 | 24999 | 24999ps | 124995ps | 249990ps | refclk-period t _{REFCLK} =250ns | |
| 0xC34F | 49999 | 49999ps | 249995ps ⁽²⁾ | See note (1) | | |
| 0x3D08F | 249999 | 249999ps ⁽²⁾ | See note (1) | See note (1) | | |
| | | | | | | |
| 0x1869F | 99999 | 99999ps | 499995ps | See note (1) | refclk-period t _{REFCLK} =500ns | |
| 0x30D3F | 199999 | 199999ps | See note (1) | See note (1) | | |
| 0xF423F | 999999 | See note (1) | See note (1) | See note (1) | | |
| | | | | | | |
| 0x3FFF | 16383 | 16383ps | 81915ps | 163830ps | LVDS: Max readout with stop_data_ bitwidth= 14Bit | |
| 0xFFFF | 65335 | 65335ps | 326675ps | 653350ps | | 16Bit |
| 0x3FFFF | 262143 | 262143ps | See note (1) | See note (1) | | 18Bit |
| 0xFFFFF | 1048575 | 1048575ps | See note (1) | See note (1) | | 20Bit |
| 0x0FFFFF | 1048575 | 1048575ps | See note (1) | See note (1) | SPI: Max readout with 20Bit ⁽³⁾ | |

Note(s):

1. Time difference exceed GPX2 specification for reference clock period
2. REFCLK_DIVISIONS decreased by one is the highest possible readout value
3. With SPI read-out the four upper bits are unused

Maximum Time Differences

The following table shows the maximum possible time differences between stops, depending on the reference index bit width.

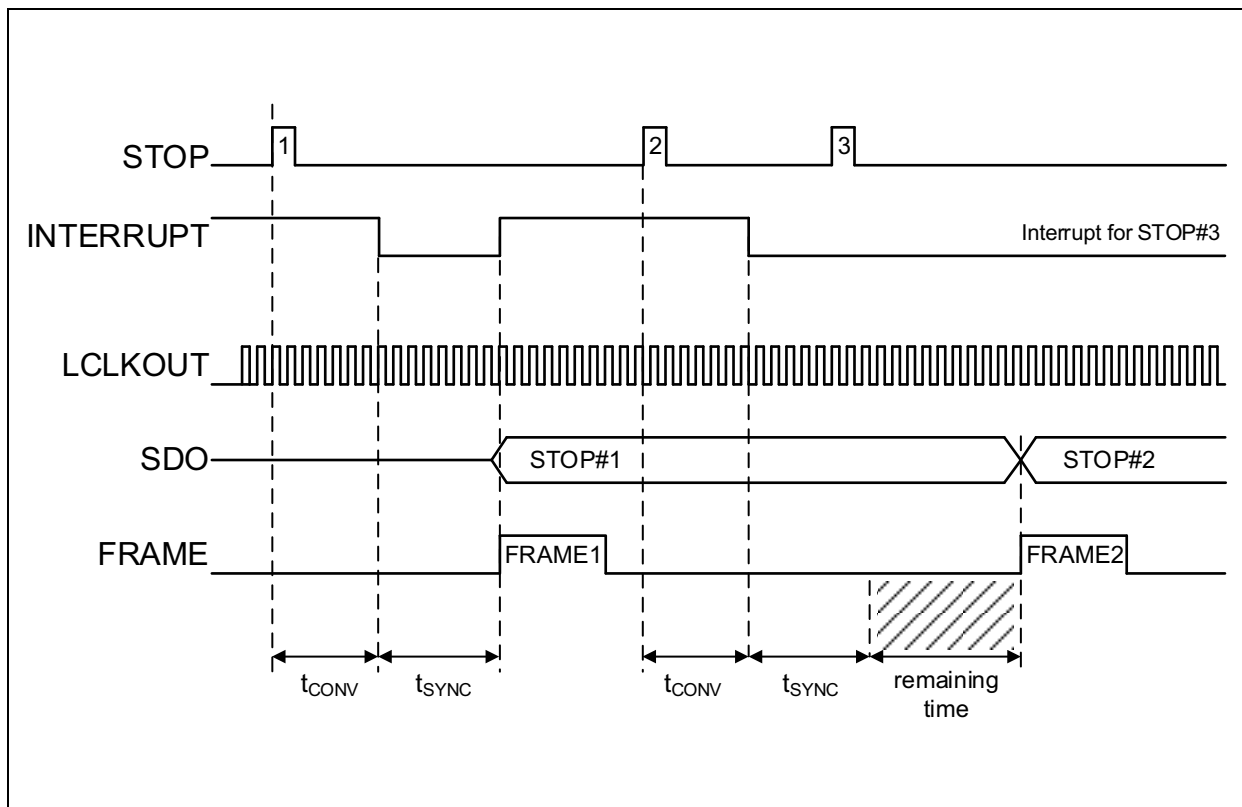
Figure 54:
LSB Configuration

| REF_INDEX_BITWIDTH | Mode | Maximum Readout Hexadecimal | Maximum Readout Decimal | Max Time Difference with Reference Clock | | |
|--------------------|----------|-----------------------------|-------------------------|--|-----------------------------------|------------------------------------|
| | | | | $f_{\text{REFCLK}} = 2\text{MHz}$ | $f_{\text{REFCLK}} = 5\text{MHz}$ | $f_{\text{REFCLK}} = 10\text{MHz}$ |
| 0Bit | LVDS/SPI | No read-out | No read-out | 0.5 μs | 200ns | 100ns |
| 2Bit | LVDS | 0x3 | 3 | 2 μs | 800ns | 400ns |
| 4Bit | LVDS | 0xF | 15 | 8 μs | 3.2 μs | 1.6 μs |
| 8Bit | LVDS/SPI | 0xFF | 255 | 128 μs | 51.2 μs | 25.6 μs |
| 16Bit | LVDS/SPI | 0xFFFF | 65335 | 32ms | 13.0ms | 6.5ms |
| 24Bit | LVDS/SPI | 0FFFFFFF | 16777215 | 8s | 3.2s | 1.6s |
| 6Bit | LVDS | 0x3F | 63 | 31 μs | 12.6 μs | 6.3 μs |
| 12Bit | LVDS | 0xFFF | 4095 | 2ms | 800 μs | 400 μs |

Conversion Latency and Conversion Rate

The conversion latency t_{CONV} is the time need when an event at a stop input pin occurs until it is processed and ready for output through the interface. With LVDS instead of SPI output an additional synchronization latency to the LCLK is applied.

Figure 55:
Conversion Latency



The conversion and synchronization latency is only applied to single events. During an output sequence of several events the conversion latency is processed in parallel during the remaining time.

Converter Latency

The conversion latency t_{CONV} is the time needed when an event at a stop input pin occurs until it is processed. Once a stop event is recognized, it has to be converted into the results of TSTOP and REFD. The basic conversion latency t_{CONV} is the same for SPI or LVDS readout. After the conversion latency has passed, the INTERRUPT pin is set to zero (if not already zero from a previous stop) and the stop result is ready for readout via the SPI interface. The conversion latency depends also on the HIGH_RESOLUTION configuration.

LVDS Synchronization Latency

For both LVDS output modes, DDR+SDR, an additional synchronization latency t_{SYNC} has to be processed before the output sequence starts. With LVDS reading an additional latency t_{SYNC} for synchronization to the LCLK is applied. t_{SYNC} is counted in LVDS clock cycles and the output is indicated by setting the frame output pin.

Conversion Rate

Conversion rate is the rate where stop events can be measured. It is determined or limited by the peak input conversion rate or the read-out rate. The conversion rate of the stop events at the input can be higher or also lower than the read-out rate output interface. In any case, the FIFO will adapt a variable peak stop event rate and to the read-out rate.

Peak Conversion Rate

The peak input conversion rate is limited by the ability of GPX2 to sample, convert and store stop events in the FIFOs. The maximum peak conversion rate is limited minimal pulse-to-pulse-spacing t_{PPS} of the chosen measuring mode. The number of conversions at peak conversion rate is given by the FIFO depth and to a certain extent by the read out rate of the interface.

Read-Out Rate

The maximum read-out rate is reached when the output interface (either SPI or LVDS) is continuously in use for outputting the measurement results. The configured code length (LVDS: STOP_DATA_BITWIDTH and REF_INDEX_BITWIDTH, SPI: readout bytes) and the frequency define the readout capabilities.

Average Conversion Rate

The average conversion rate is determined either by the

- **Peak Input Conversion Rate:** If the read-out rate is higher than peak input conversion rate no time event is getting lost because of a full FIFO. This is typically the case when reading out with LVDS.
- **Read-Out Rate:** If read-out rate is always slower than the input conversion rate then time measurements necessarily are getting lost because the FIFO may be full. This is typically the case when reading out via SPI. In this case the configuration of BLOCKWISE_FIFO_READ and COMMON_FIFO_READ is an option even to get measured a sequence of successive stops

Examples for Read-Out Rate with LVDS

The conversion rate of measured stop events can be calculated by dividing the bus frequency by the number of bits, which are readout reference index and stop result. The number of bits is configured by STOP_DATA_BITWIDTH and REF_INDEX_BITWIDTH.

Figure 56:
Example Data Average Conversion Rate

| STOP_DATA_BITWIDTH | REF_INDEX_BITWIDTH | Sum of Bits | LCLK | SDR Throughput Rate | DDR Throughput Rate |
|--------------------|--------------------|-------------|--------|---------------------|---------------------|
| 00 (14Bit) | 000 (0Bit) | 14 | 300MHz | 21MSPS | 42MSPS |
| 00 (14Bit) | 010 (4Bit) | 18 | 300MHz | 16MSPS | 32MSPS |
| 01 (16Bit) | 000 (0Bit) | 16 | 300MHz | 18MSPS | 37MSPS |
| 01 (16Bit) | 011 (8Bit) | 24 | 300MHz | 12MSPS | 25MSPS |
| 10 (18Bit) | 000 (0Bit) | 18 | 200MHz | 11MSPS | 22MSPS |
| 10 (18Bit) | 100 (16Bit) | 32 | 200MHz | 6MSPS | 12MSPS |
| 11 (20Bit) | 000 (0Bit) | 20 | 100MHz | 5MSPS | 10MSPS |
| 11 (20Bit) | 101 (24Bit) | 44 | 100MHz | 2MSPS | 4MSPS |

Note(s):

1. Maximal throughput rate is only reached when the stop event rate at input is high enough
2. With CHANNEL_COMBINE = 1 ("Pulse Distance") the throughput rate per stop input pin is doubled, as the stop events of one input pin are alternatively measured and readout by two channels.

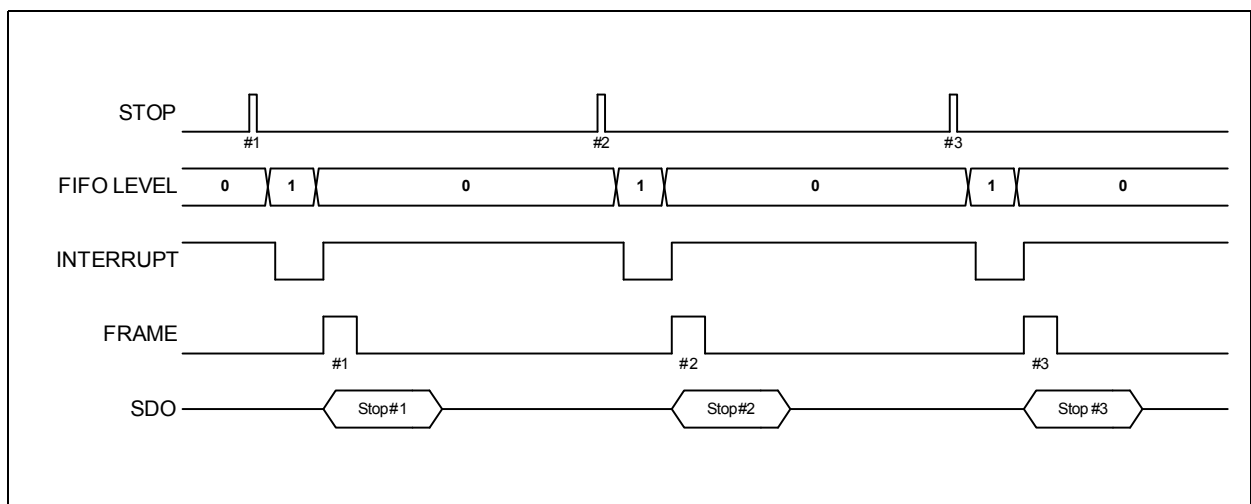
FIFOs for Adapting Peak and Average Conversion Rate

Each channel of GPX2 has a First-In-First-Out data buffer (FIFO). Generally, GPX2 is capable of measuring the incoming stops faster than the length of an output sequence. The FIFO is capable of storing up to data of 16 stop events until the data are read out. Up to a certain degree, the FIFO prevents rejection of stop events for a short time when the input stop event rate is higher than the read-out rate. But when the input data rate is constantly higher than the read-out rate, then the FIFO gets full and stop events are rejected. After a full FIFO was read out and empty space is available for stop measurement further two stops are needed to restart the FIFO ($t_{FIFO_RESTART}$).

The maximum FIFO depth is 16, 8 or 4 stages, depending on the HIGH_RESOLUTION configuration (off, 2x, 4x).

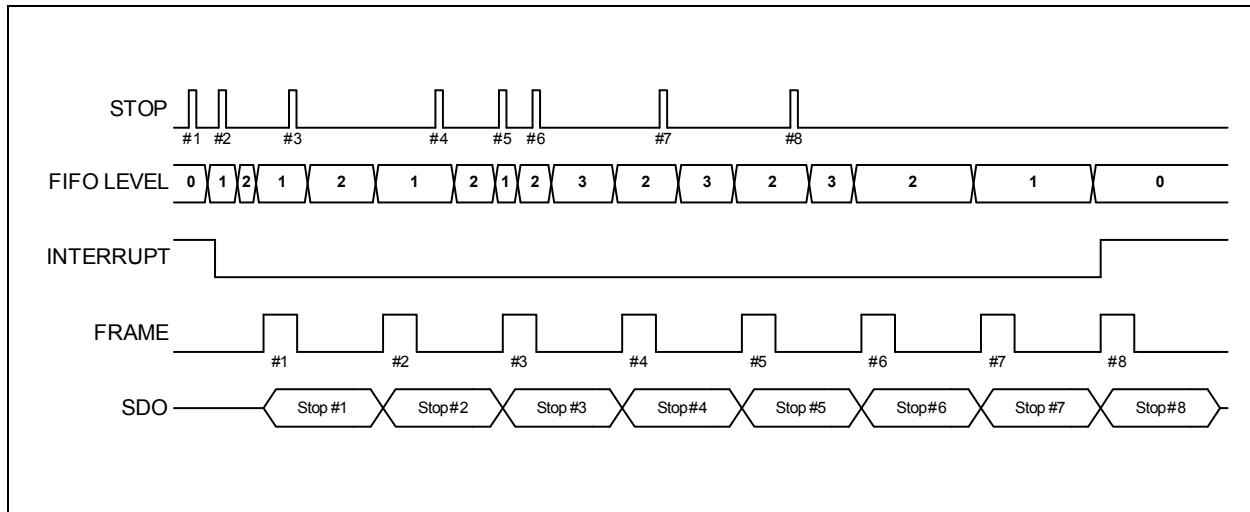
The following figures illustrate the typical dependencies between stop event rate and the read out rate. They are applicable for both SPI and LVDS readout. The INTERRUPT pin indicates that the result is available for read-out through the SPI interface. For SPI a continuous readout is assumed as long as the interrupt is on low level. For LVDS output the FRAME indicates the beginning of data output at SDO line. The interrupt goes back to HIGH when all FIFOs are empty even if output is LVDS. In the figures FIFO_DEPTH = 4 is assumed. The FIFO LEVEL indicates the stop event buffered in the FIFO. A stop event will increase FIFO LEVEL by one, reading out will decrease the FIFO LEVEL.

Figure 57:
Input Stop Event Rate is Lower than the Readout Rate



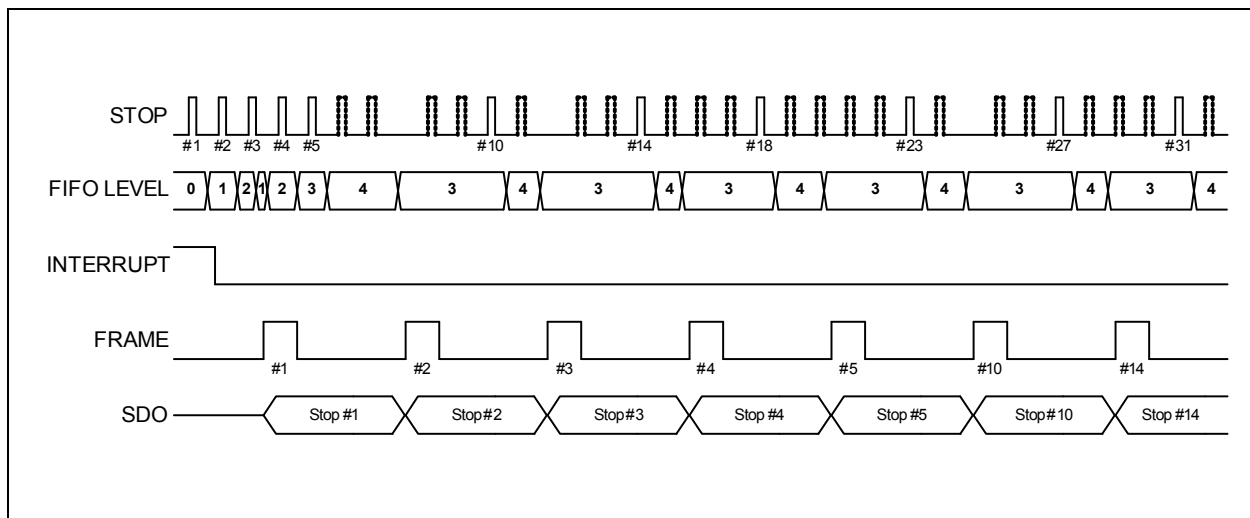
- Enough time for complete readout of first stop before the next stop event arises
- Interrupt goes back to high because the FIFO is empty after read-out
- In this example, no stop events are rejected. All stops are measured and read out

Figure 58:
Average Stop Event Rate is Lower, but Peak Stop Event Rate is Higher than the Readout Rate



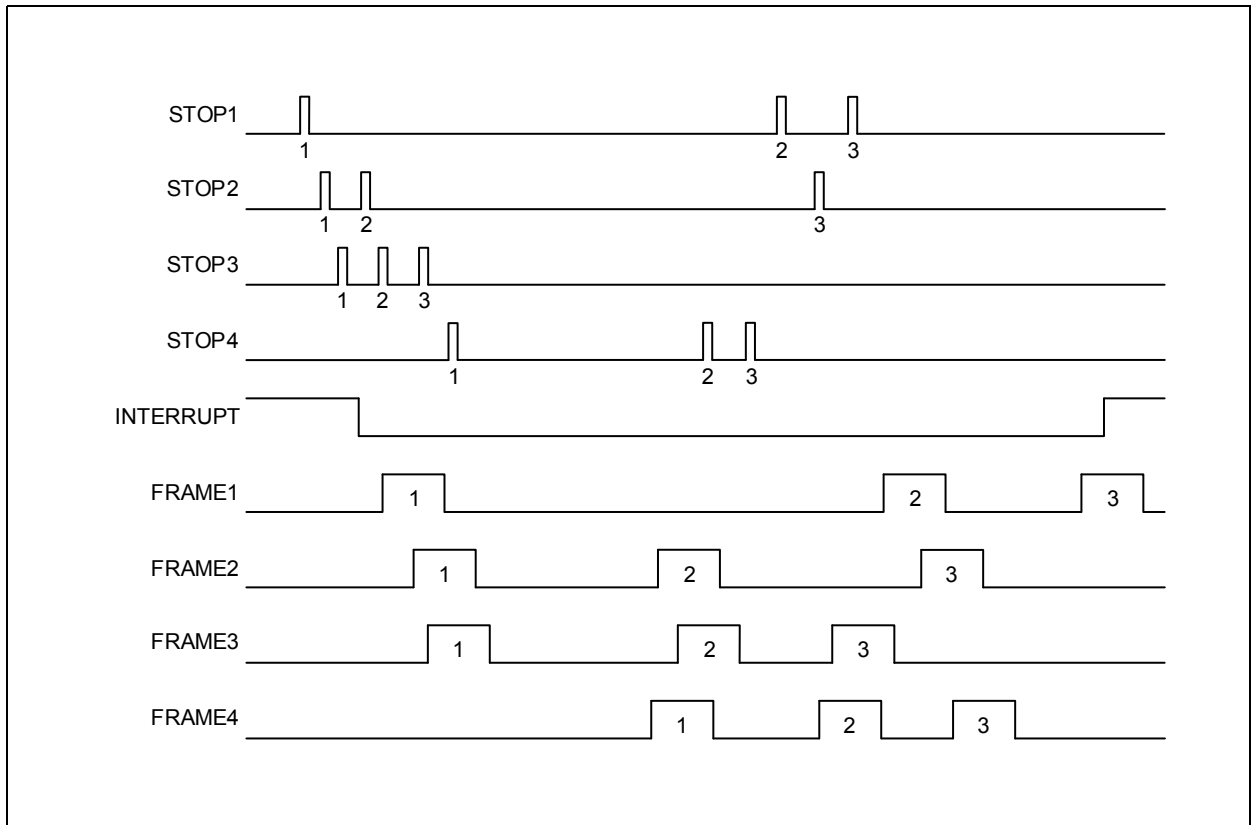
- Stop events during read-out are stored in FIFO
- Stop events buffer up to FIFO LEVEL 3
- In this example, no stop events are rejected. All stops are measured and read out.
- Interrupt goes back to high when all data are readout and the FIFO is empty.
- Maximal FIFO_DEPTH and HIGH_RESOLUTION limits the peak event storage

Figure 59:
Stop Event Rate is Higher than the Readout Rate



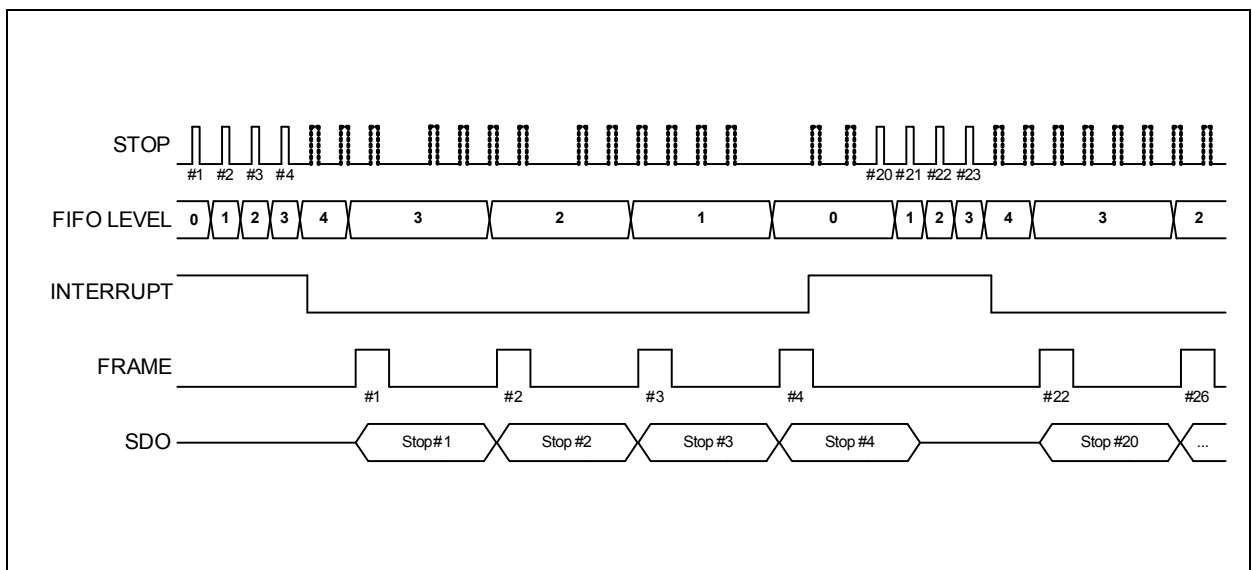
- During read-out stop events (dots) are ignored when FIFO full at FIFO LEVEL 4.
- After reading a result from a full FIFO the next two stops events (dashed) are still ignored but used to restart the FIFO
- Interrupt is always zero because the FIFO never gets empty.

Figure 60:
Stops on All Four Channels



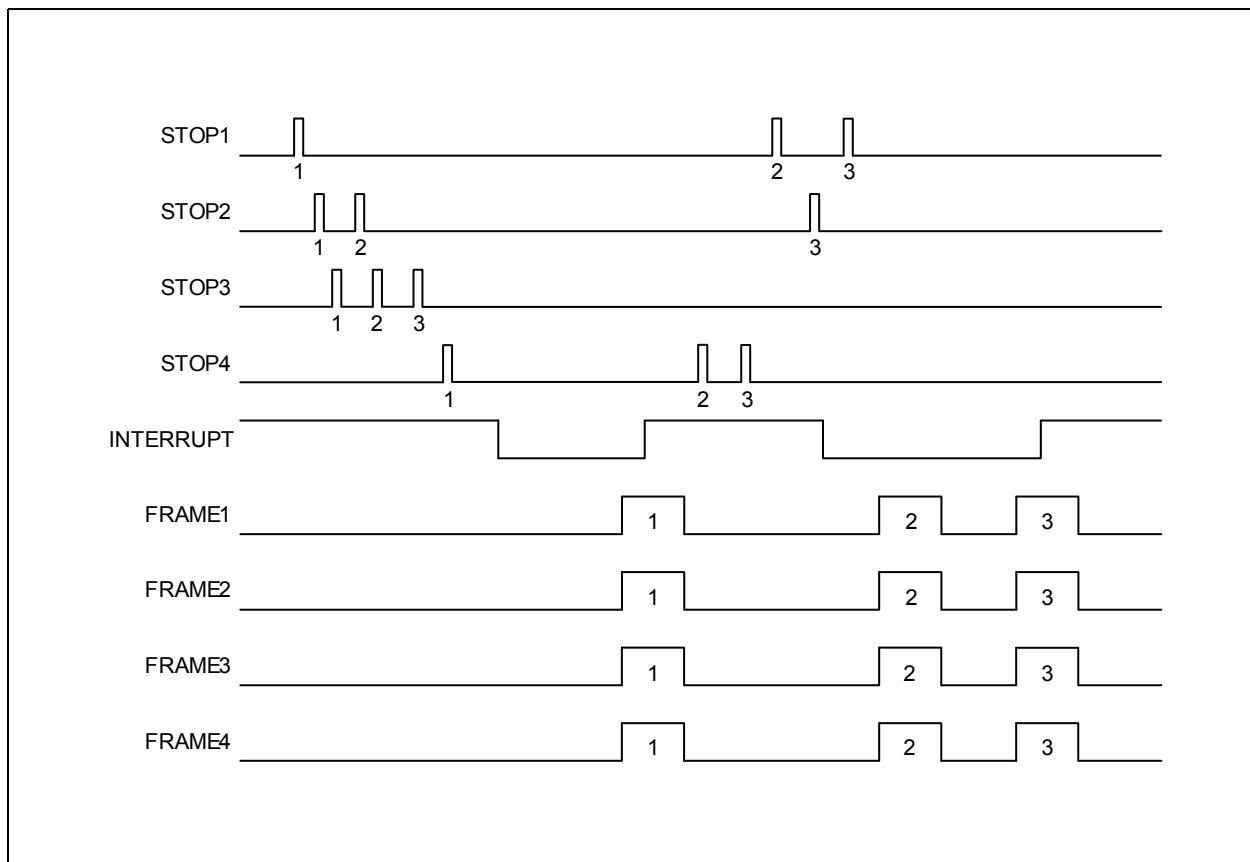
- All four channels are completely independent from each other (COMMON_FIFO_READ=0)
- In this example no stop events are rejected, because FIFOs never get full
- Interrupt remains zero as long as at least one FIFO has a valid data, interrupt gets high when all FIFO are empty

Figure 61:
BLOCKWISE_FIFO_READ



- A block of successive stop events are measured in a block before readout
- Readout of FIFO starts not before the FIFO is full.
- During read-out stop events (dots) are ignored when FIFO full at FIFO level 4...1.
- After reading all result from the FIFO the next two stops events (dashed) are still ignored but used to restart the FIFO
- Measurement starts not before the FIFO is empty.
- COMMON_FIFO_READ is applicable.

Figure 62:
COMMON_FIFO_READ



- All active FRAME pins are set simultaneously, as soon as all active FIFOs have value (COMMON_FIFO_READ = 1)
- As long as one FIFO has no valid data, no readout is done
- Interrupt doesn't fall to low before all active FIFOs have valid data
- In this example no stop events are rejected, because FIFOs never get full.
- BLOCKWISE_FIFO_READ is fully applicable
- SPI readout only successively of all active FIFOs (1, 2, 3, 4 ...). It is not permitted to read one channel twice (e.g 1 & 1, 2 & 2 ...)

Application Information

Configuration Examples

Typical Configuration for LVDS

```
org ROM_ADD_CFG; config_default.cfg saved on 19.09.2016 11:58
equal 0x401F0131; Register 3, 2, 1, 0
equal 0x53C0030D; Register 7, 6, 5, 4
equal 0x0A0013A1; Register 11, 10, 9, 8
equal 0x7DF1CCCC; Register 15, 14, 13, 12
equal 0x00000004; Register 19, 18, 17, 16
equal 0x00000000; Register 23, 22, 21, 20
```

Example C++ Code

The following C++ code is provided to give an overview about how to organize the initial steps of a microprocessor, to be able to conduct a typical time measurement task with GPX2.

```
#include <uProcessor.h>           // This is an imaginary header file
                                 // defined to support this example code

// -----
// *** uProcessor.h ***
// -----
// Almost every microprocessor has a specific C++ libraries (header files) that introduce
// specific commands for data readout.
// Therefore, this imaginary header data is given to support this example code.
// The intention of each virtual function on this header is clearly explained as follows.
// In real projects, instead of these functions,
// the user should use the similar functions of the micro-processor which is used with GPX2.
//
// Virtual functions:
// send_byte_to_SPI( Var1 ); : send Var1 (8 Bits) through the SPI
//
// read_byte_from_SPI( Var1 ); : read 1 Byte data from SPI and write it to Var1
//
// Virtual pin variables:
// GPIO_SSN :           Variable (1 Bit) to control the output pin which is
//                       supposed to be connected the SSN pin of the GPX2
//
// GPIO_INTERRUPT :    Variable (1 Bit) to monitor the input pin which is
//                       supposed to be connected INTERRUPT pin of the GPX2
// -----
// *** Configuration Registers ***
// -----
const char config_register[16] = { 0x31, 0x01, 0x1F, 0x40, 0x0D, 0x03, 0xC0, 0x53,
                                   0xA1, 0x13, 0x00, 0x0A, 0xCC, 0xCC, 0x31, 0x8E, 0x04 };
// A typical config settings = { config00, config01, ... , config16 }
```

```

//-----
// *** SPI Opcodes ***
//-----
const char spiopc_power      = 0x30;    // opcode for "Power on Reset"
const char spiopc_init      = 0x18;    // opcode for "Initialize Chip and Start Measurement"
const char spiopc_write_config = 0x80;  // opcode for "Write Configuration"
const char spiopc_read_config = 0x40;  // opcode for "Read Configuration"
const char spiopc_read_results = 0x60; // opcode for "Read Measurement Results"

//-----
// *** SPI Addresses ***
//-----
const char reference_index_ch1_byte3 = 8; //
const char reference_index_ch1_byte2 = 9;
const char reference_index_ch1_byte1 = 10;
const char stopresult_ch1_byte3 = 11;
const char stopresult_ch1_byte2 = 12;
const char stopresult_ch1_byte1 = 13;
// ...
const char stopresult_ch4_byte3 = 29;
const char stopresult_ch4_byte2 = 30;
const char stopresult_ch4_byte1 = 31;

//-----
// *** Other Variables ***
//-----
int Buffer      = 0;          // buffer variable used to copy the SPI data
char i         = 0;          // counter for for-loops
int reference_index[4] = 0;  // reference index data array {Ch1, Ch2, Ch3, Ch4}
int stopresult[4]   = 0;    // stop result data array {Ch1, Ch2, Ch3, Ch4}
bool config_error  = false; // flag that indicates if the config registers
                        // are not written correctly

//-----
// *** Main body of the software ***
//-----
int main(void)
{
    //-----
    // *** Power on reset ***
    //-----
    GPIO_SSN = 1;          // Reset the SPI interface and select the slave device
    GPIO_SSN = 0;

    send_byte_to_SPI( spiopc_power ); // Opcode for "Power On Reset" is sent over SPI

```

```

//-----
// *** Writing the configuration registers ***
//-----
GPIO_SSN = 1; // Reset the SPI interface and select the slave device
GPIO_SSN = 0;

config_error = false;

send_byte_to_SPI( spiopc_write_config + 00 ); // Opcode for "Write Configuration"
// and config address (00) are sent over SPI

for ( i = 0; i < 17; i++) // Send all 17 config registers via SPI
    send_byte_to_SPI( config_register[i] );

//-----
// *** Verification of config registers ***
//-----
GPIO_SSN = 1; // Reset the SPI interface and select the slave device
GPIO_SSN = 0;

send_byte_to_SPI( spiopc_read_config + 00 ); // Opcode for "Read Configuration"
// and config address (00) are sent over SPI

for ( i = 0; i < 17; i++)
{
    read_byte_from_SPI( Buffer ); // read one byte from SPI to Buffer variable

    if ( config_register[i] != Buffer ) config_error = true;
    // if there was a failure in writing the config
    // registers, then the config_error flag is raised.
}

//-----
// *** Initialize and start the measurement ***
//-----
if (config_error == false )
{
    GPIO_SSN = 1; // Reset the SPI interface and select the slave device
    GPIO_SSN = 0;

    send_byte_to_SPI( spiopc_init ); // Opcode for "Initialize" is sent over SPI
    // This is required to start measuring process

    // *****
    // End of the configuration settings. After now the time measurement will start.
    // This code is designed to use SPI to read the measurement data from GPX2.
    // Using LVDS as a output interface requires additional hardware and code.
    // *****

```

```

//-----
// *** Readout of measurement data via SPI ***
//-----
while( GPIO_INTERRUPT != 0 );           // wait till the Interrupt pin is low

GPIO_SSN = 1;                          // Reset the SPI interface and select the slave device
GPIO_SSN = 0;

send_byte_to_SPI( spiopc_read_results + reference_index_ch1_byte3 );
// Opcode for "Read Result" and data address are sent

for ( i = 0; i < 4; i++)
{
    read_byte_from_SPI( Buffer );         // read one byte from SPI to Buffer
    reference_index[i] = reference_index[i]
        + ( Buffer << 16 );              // Data is shifted 16 Bits to the left
                                        // and added to the reference_index

    read_byte_from_SPI( Buffer );         // read one byte from SPI to Buffer
    reference_index[i] = reference_index[i]
        + ( Buffer << 8 );                // Data is shifted 8 Bits to the left
                                        // and added to the reference_index

    read_byte_from_SPI( Buffer );         // read one byte from SPI to Buffer
    reference_index[i] = reference_index[i]
        + Buffer;                         // Data is directly added to reference_index
                                        // The complete reference index (3 Bytes)
                                        // has been received.

    read_byte_from_SPI( Buffer );         // Same process as reference_index
    stopresult[i] = stopresult[i]
        + ( Buffer << 16 );               // is repeated for stop results

    read_byte_from_SPI( Buffer );
    stopresult[i] = stopresult[i] + ( Buffer << 8 );

    read_byte_from_SPI( Buffer );
    stopresult[i] = stopresult[i] + Buffer;
                                        // The complete stopresult (3 Bytes)
                                        // has been received
}
// In this point the software has obtained
// the reference_index and stopresult data for all channels,
// the rest of the codes should be designed depending on the user's application.
//...
}
//...
}

```

Schematic

The following figures show a typical circuits with power supply and line termination.

Figure 63:
Schematics for LVDS Inputs and Outputs

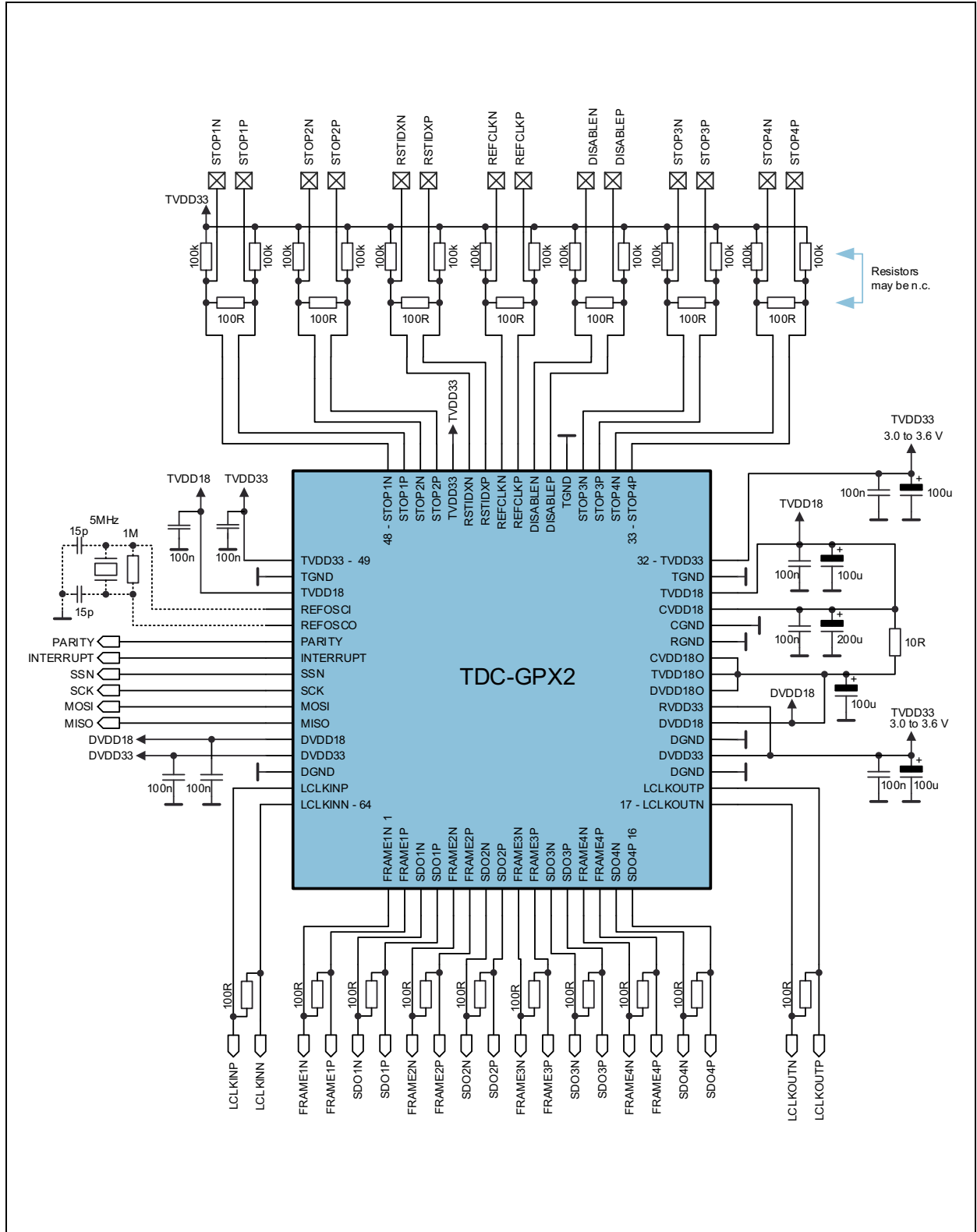
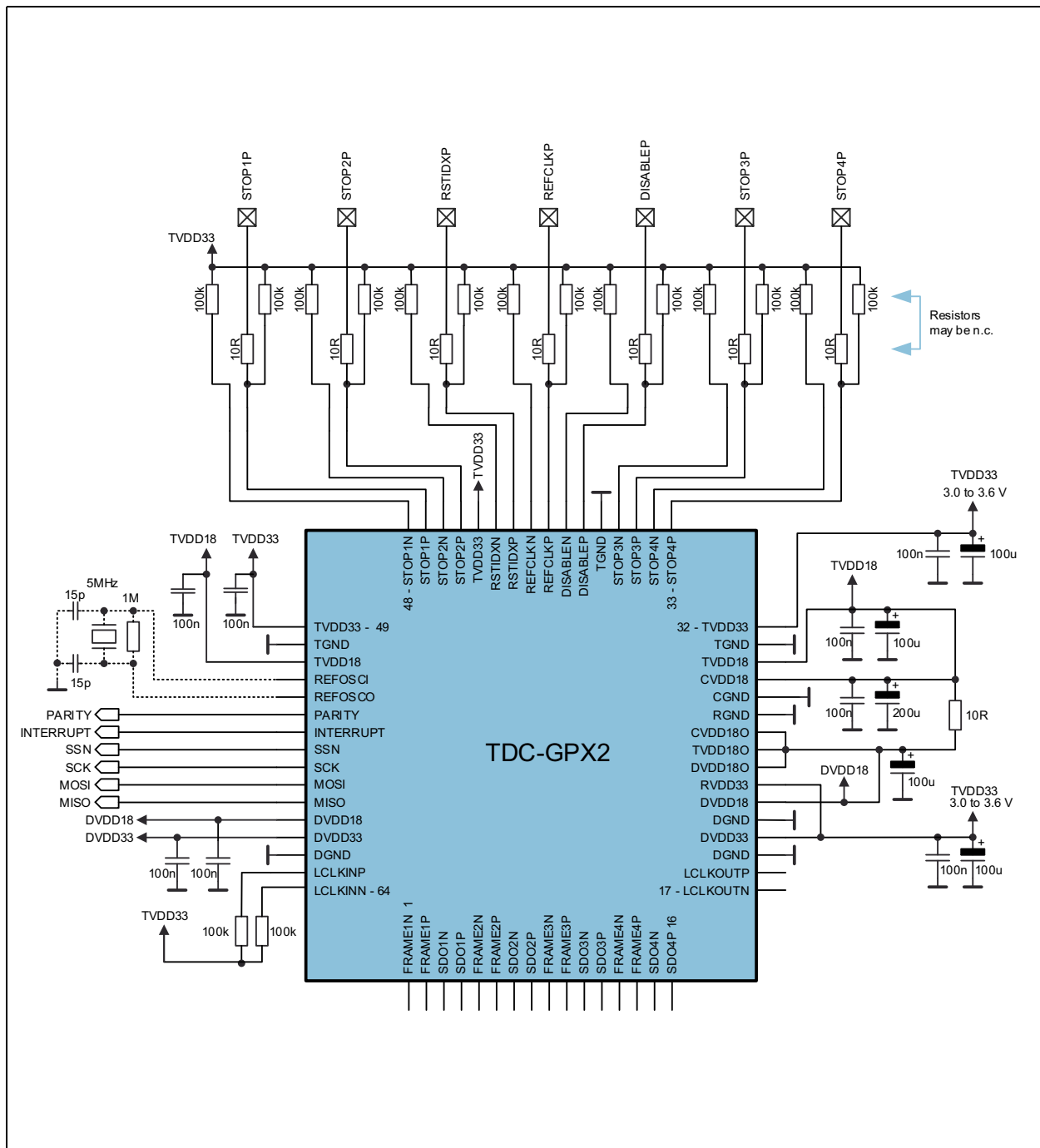


Figure 64:
Schematics for CMOS Inputs and SPI Communication



External Components

Supply Decoupling: GPX2 provides 6 power supply domains. Careful buffering is recommended. Small decoupling capacitors (e.g. 100nF) with minimal ESL and ESR help to filter external power supply noise when placed near to the power supply pins.

The optimum number of decoupling capacitors depends on the actual application.

It is recommended to use separate supplies for time-analog (TVDD33) and digital (DVDD33, RVDD33) supply pins to isolate digital switching noise from sensitive circuitry. In case only a single (digital) supply is available, it should be routed to DVDD33 and RVDD33. It can then be tapped and isolated with a resistor (10 Ω) to TVDD33. Grounding: A single ground plane is sufficient to give optimum performance, provided the analog, digital and clock sections of the board are cleanly partitioned. Refer to the GPX2 Evaluation PCB for an example on board layout schemes.

Signal lines: Even though LVDS signaling on input and output reduces ground bounding during its transition, the positive and negative signal path has to be well matched and their trace should be kept as short as possible. Time-analog signal path like quartz oscillator or single ended (CMOS) stop inputs must be treated as a transmission line and should have a solid ground return path with a small loop. A serial resistor (10 Ω) in single ended (CMOS) signal lines further help to damp reflections.

PCB Layout

Please refer to our GPX2-EVA-KIT

Package Drawings & Markings

The TDC-GPX2 comes in QFN64 or QFP64 package.

Figure 65:
QFN64 Package Drawings

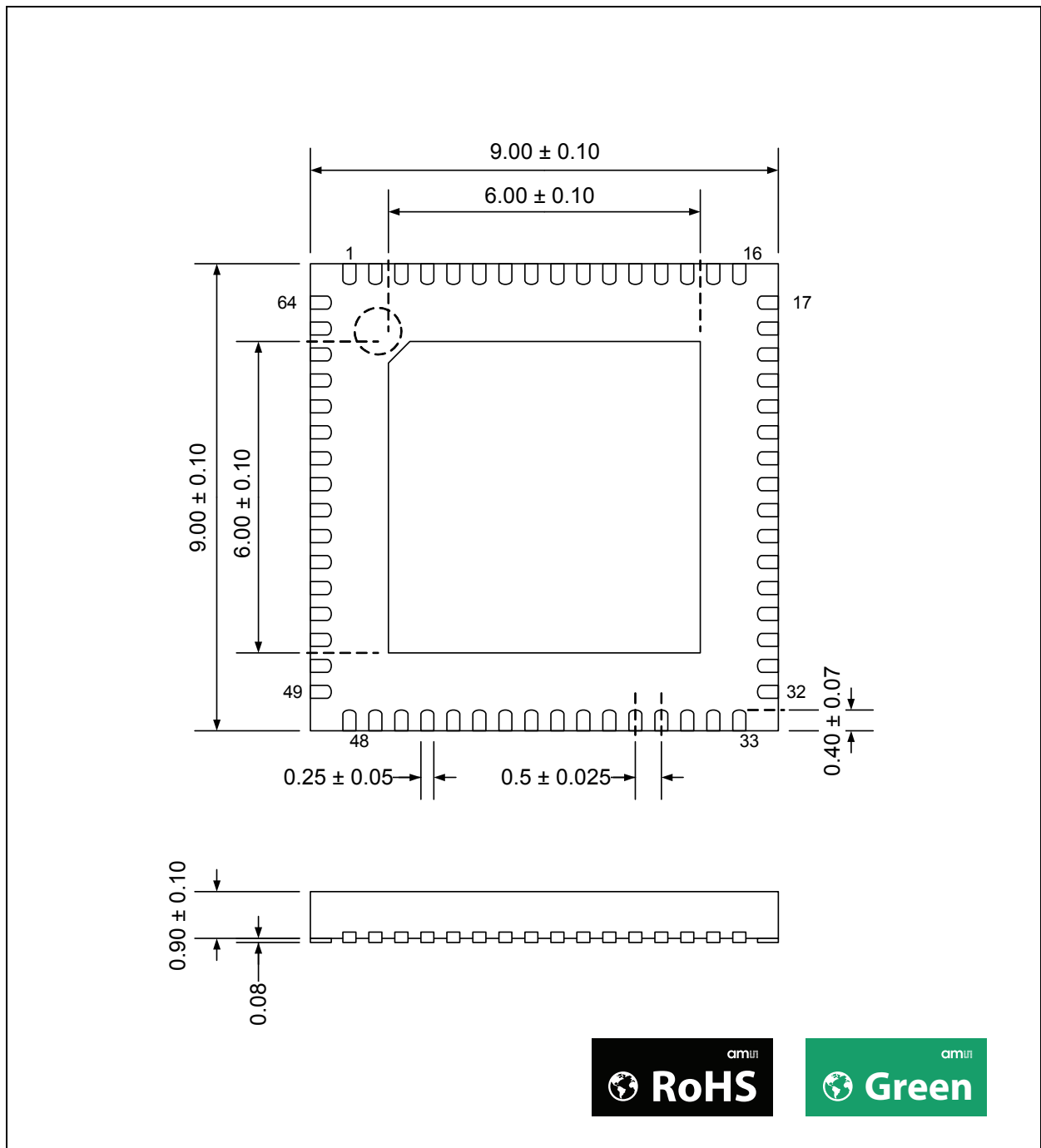


Figure 66:
QFN64 Package Marking

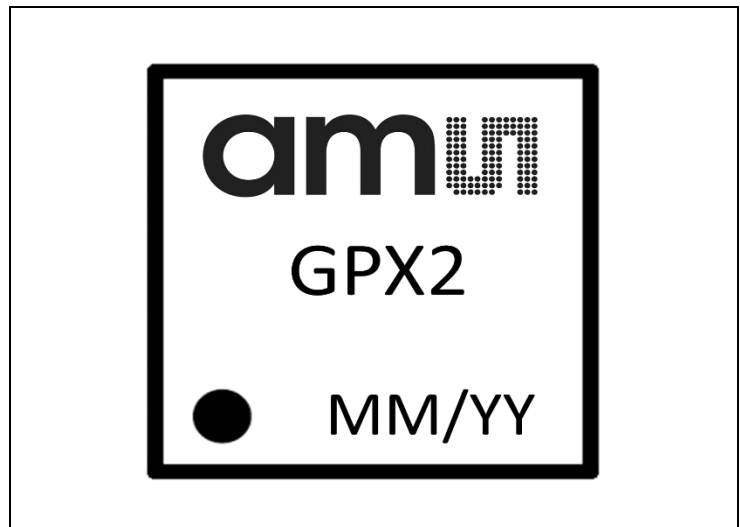
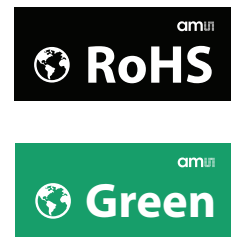
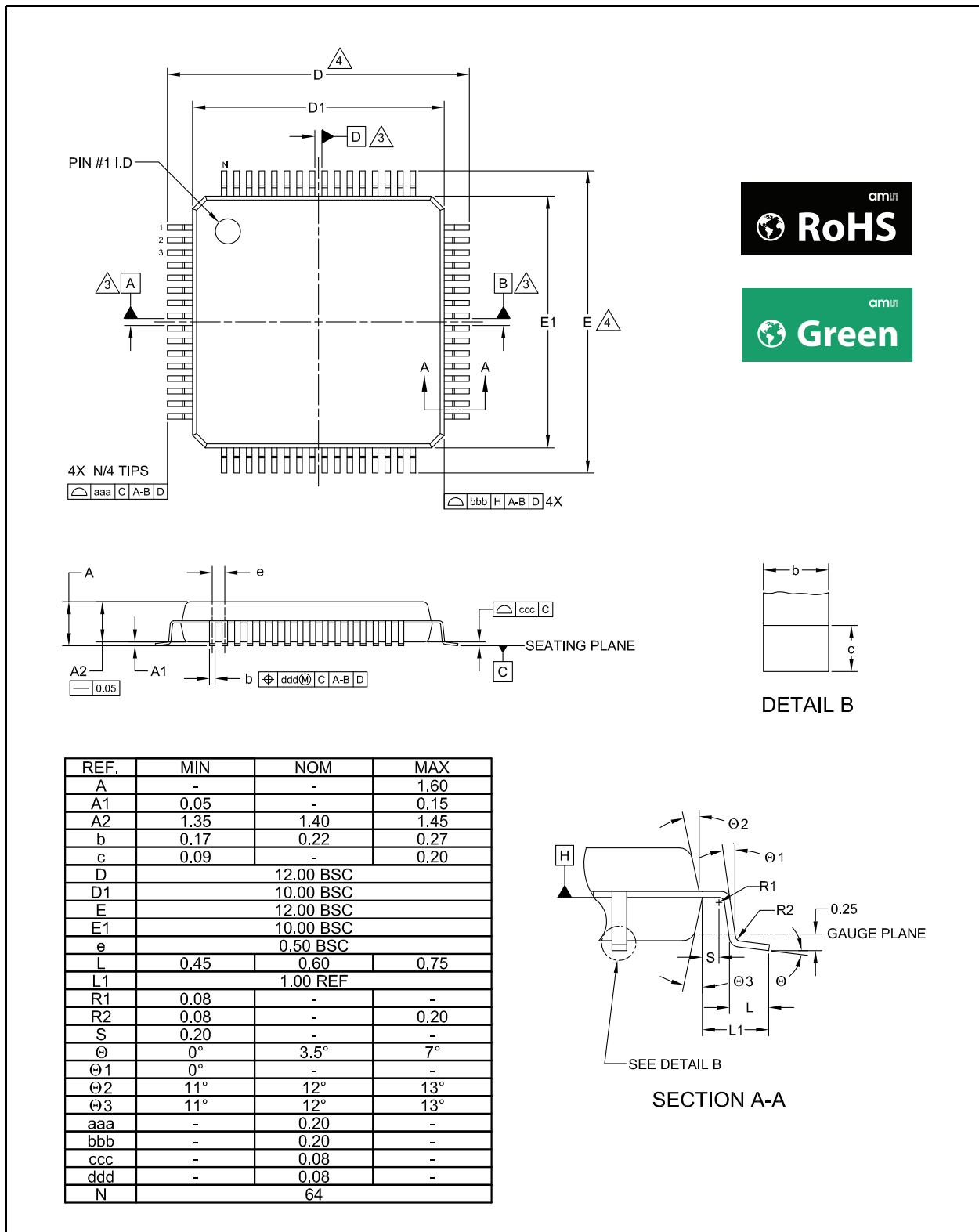


Figure 67:
QFN64 Package Code

| MM | YY |
|---------------------|---|
| Manufacturing month | Last two digits of the manufacturing year |

Figure 68:
QFP64 Package Drawings



Note(s):

1. Dimensioning and tolerancing conform to ASME Y14.5M-1994.
2. All dimensions are in millimeters (angles are in degrees).
3. Datums A-B and D to be determined at datum plane H.
4. To be determined at seating datum plane C.

Figure 69:
QFP64 Package Marking

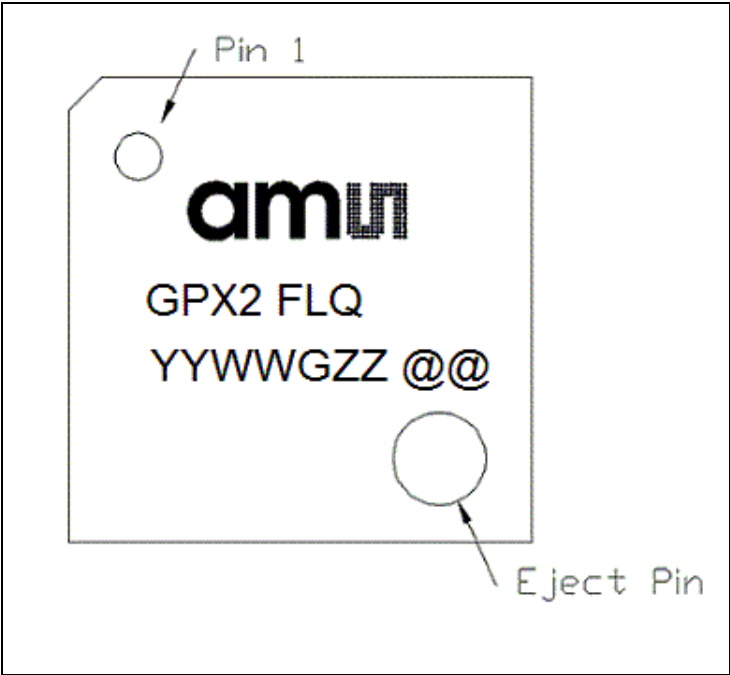


Figure 70:
QFP64 Package Code

| YY | WW | G | ZZ | @@ |
|------|--------------------|----------|-------------|-----------|
| Year | Manufacturing week | Assembly | Free choice | Sublot ID |

Mechanical Data

QFN64

The QFN64 package has 9mm x 9mm outline. The solder pitch is 0.5mm. Package dimensions do not include mold flash, protrusions, burrs or metal smearing. All dimensions are given in millimeters.

QFN64 Tray Information

JEDEC NHBG09091.510266 Rev. A

10x 26 = 260 pieces

QFP64

The QFP64 package has 10mm x 10mm body size, with pins 12mm x 12mm outline. The solder pitch is 0.5mm. Package dimensions do not include mold flash, protrusions, burrs or metal smearing. All dimensions are given in millimeters.

QFP64 Tape & Reel Information

1 reel = 250 pcs

Soldering & Storage Information

Center-pad can be connected to ground or left open.
Through-connections (vias) in the area between the center-pad and the pins should be avoided.

Ordering & Contact Information

Figure 71:
Ordering Information

| Ordering Code | Package | Marking | Delivery Form | Delivery Quantity |
|---------------|---------|---------|---------------|-------------------|
| TDC-GPX2 TRA | QFN64 | GPX2 | Tray | 260 pcs/tray |
| TDC-GPX2 FLQM | QFP64 | GPX2 | Tape & Reel | 250 pcs/reel |

Technical Support is available at:

www.ams.com/Technical-Support

Provide feedback about this document at:

www.ams.com/Document-Feedback

For further information and requests, e-mail us at:

ams_sales@ams.com

For sales offices, distributors and representatives, please visit:

www.ams.com/contact

Headquarters

ams AG
Tobelbader Strasse 30
8141 Premstaetten
Austria, Europe

Tel: +43 (0) 3136 500 0

Website: www.ams.com

RoHS Compliant & ams Green Statement

RoHS: The term RoHS compliant means that ams AG products fully comply with current RoHS directives. Our semiconductor products do not contain any chemicals for all 6 substance categories, including the requirement that lead not exceed 0.1% by weight in homogeneous materials. Where designed to be soldered at high temperatures, RoHS compliant products are suitable for use in specified lead-free processes.

ams Green (RoHS compliant and no Sb/Br): ams Green defines that in addition to RoHS compliance, our products are free of Bromine (Br) and Antimony (Sb) based flame retardants (Br or Sb do not exceed 0.1% by weight in homogeneous material).

Important Information: The information provided in this statement represents ams AG knowledge and belief as of the date that it is provided. ams AG bases its knowledge and belief on information provided by third parties, and makes no representation or warranty as to the accuracy of such information. Efforts are underway to better integrate information from third parties. ams AG has taken and continues to take reasonable steps to provide representative and accurate information but may not have conducted destructive testing or chemical analysis on incoming materials and chemicals. ams AG and ams AG suppliers consider certain information to be proprietary, and thus CAS numbers and other limited information may not be available for release.

Copyrights & Disclaimer

Copyright ams AG, Tobelbader Strasse 30, 8141 Premstaetten, Austria-Europe. Trademarks Registered. All rights reserved. The material herein may not be reproduced, adapted, merged, translated, stored, or used without the prior written consent of the copyright owner.

Devices sold by ams AG are covered by the warranty and patent indemnification provisions appearing in its General Terms of Trade. ams AG makes no warranty, express, statutory, implied, or by description regarding the information set forth herein. ams AG reserves the right to change specifications and prices at any time and without notice. Therefore, prior to designing this product into a system, it is necessary to check with ams AG for current information. This product is intended for use in commercial applications. Applications requiring extended temperature range, unusual environmental requirements, or high reliability applications, such as military, medical life-support or life-sustaining equipment are specifically not recommended without additional processing by ams AG for each application. This product is provided by ams AG "AS IS" and any express or implied warranties, including, but not limited to the implied warranties of merchantability and fitness for a particular purpose are disclaimed.

ams AG shall not be liable to recipient or any third party for any damages, including but not limited to personal injury, property damage, loss of profits, loss of use, interruption of business or indirect, special, incidental or consequential damages, of any kind, in connection with or arising out of the furnishing, performance or use of the technical data herein. No obligation or liability to recipient or any third party shall arise or flow out of ams AG rendering of technical or other services.

Document Status

| Document Status | Product Status | Definition |
|--------------------------|-----------------|--|
| Product Preview | Pre-Development | Information in this datasheet is based on product ideas in the planning phase of development. All specifications are design goals without any warranty and are subject to change without notice |
| Preliminary Datasheet | Pre-Production | Information in this datasheet is based on products in the design, validation or qualification phase of development. The performance and parameters shown in this document are preliminary without any warranty and are subject to change without notice |
| Datasheet | Production | Information in this datasheet is based on products in ramp-up to full production or full production which conform to specifications in accordance with the terms of ams AG standard warranty as given in the General Terms of Trade |
| Datasheet (discontinued) | Discontinued | Information in this datasheet is based on products which conform to specifications in accordance with the terms of ams AG standard warranty as given in the General Terms of Trade, but these products have been superseded and should not be used for new designs |

Revision Information

| Changes from 1-02 (2017-Nov-07) to current revision 1-03 (2017-Dec-18) | Page |
|--|------|
| Updated Figure 2 | 2 |
| Updated text under Pin Assignments | 4 |
| Updated note under Figure 5 | 5 |
| Updated text under Package Drawings & Markings | 65 |
| Updated title of Figure 65 | 65 |
| Updated title of Figures 66 & 67 | 66 |
| Added Figure 68 | 67 |
| Added Figures 69 & 70 | 68 |
| Updated Mechanical Data section | 69 |
| Updated Figure 72 | 71 |

Note(s):

1. Page and figure numbers for the previous version may differ from page and figure numbers in the current revision.
2. Correction of typographical errors is not explicitly mentioned.

Content Guide

| | |
|-----------|--|
| 1 | General Description |
| 2 | Key Benefits & Features |
| 2 | Applications |
| 3 | Block Diagram |
| 4 | Pin Assignments |
| 4 | Pin Diagram |
| 5 | Pin Description |
| 7 | Absolute Maximum Ratings |
| 8 | Recommended Operation Conditions |
| 10 | Converter Characteristics |
| 11 | Power Supply Characteristic |
| 12 | Reference Clock and Stop Input Requirements |
| 14 | LVDS Data Interface Characteristics |
| 16 | Serial Communication Interface |
| 18 | Typical Operating Characteristics |
| 18 | Histograms |
| 20 | Integral Non-Linearity |
| 21 | Register Description |
| 21 | Configuration Register Overview |
| 23 | Detailed Configuration Register Description |
| 28 | Read Register Overview |
| 30 | Detailed Description |
| 30 | Time Measurements and Results |
| 30 | Measurements of TDC-GPX2 |
| 30 | Output Results |
| 31 | Calculation of Time Differences |
| 32 | <i>General Approach</i> |
| 33 | Resolution |
| 33 | RMS-Resolution Versus Effective Resolution |
| 33 | High Resolution |
| 34 | Combining Two Stop Channels |
| 34 | Channel Combination for Low Pulse-to-Pulse Spacing |
| 36 | Channel Combination for Pulse Width Measurement |
| 38 | Input Pins for Time Measurement |
| 38 | REFCLKP/N: Reference Clock Input |
| 38 | REFOSCI/O: Quartz Driver as Reference Clock |
| 39 | RSTIDXP/N: Reference Index Counter Reset |
| 39 | STOP1...STOP4P/N: Stop Channels |
| 39 | DISABLE/N: Stop Disable |
| 39 | Input Levels, CMOS or LVDS |
| 40 | <i>Termination of Differential LVDS Input Pin</i> |
| 40 | <i>Connection of Unused LVDS Inputs</i> |
| 40 | <i>Software Enable (HIT_ENA_STOP1...4)</i> |
| 40 | <i>Pin Enable (PIN_ENA_xxx)</i> |
| 41 | LVDS Output Interface |
| 41 | Digital Output Interface |
| 41 | Output Setup and Configuration: |
| 42 | LVDS Output Buffers |
| 42 | Differential LCLKIN Input |

| | |
|-----------|---|
| 42 | LVDS Single Data Read Output Interface (SDR) |
| 43 | LVDS Double Data Read Output Interface (DDR) |
| 43 | LVDS Output Test Pattern |
| 44 | SPI Communication Interface |
| 44 | General |
| 44 | Detailed Pin Description |
| 45 | Communication Commands (Opcodes) |
| 45 | Detailed Command Description |
| 45 | <i>Power-ON Reset</i> |
| 46 | Initialization Reset |
| 46 | Write / Incremental Write |
| 47 | Read / Incremental Read |
| 47 | Using SPI Interface for Read-Out of Stop Results |
| 48 | Coding of Results |
| 48 | Configuration of LSB by REFCLK_DIVISIONS |
| 49 | Examples for Codes of Time Measurements Results |
| 50 | Maximum Time Differences |
| 51 | Conversion Latency and Conversion Rate |
| 51 | Converter Latency |
| 52 | LVDS Synchronization Latency |
| 52 | Conversion Rate |
| 52 | Peak Conversion Rate |
| 52 | Read-Out Rate |
| 52 | Average Conversion Rate |
| 53 | Examples for Read-Out Rate with LVDS |
| 54 | FIFOs for Adapting Peak and Average Conversion Rate |
| | |
| 58 | Application Information |
| 58 | Configuration Examples |
| 58 | Typical Configuration for LVDS |
| 58 | Example C++ Code |
| 62 | Schematic |
| 64 | External Components |
| 64 | PCB Layout |
| | |
| 65 | Package Drawings & Markings |
| 69 | Mechanical Data |
| 69 | QFN64 |
| 69 | QFN64 Tray Information |
| 69 | QFP64 |
| 69 | QFP64 Tape & Reel Information |
| | |
| 70 | Soldering & Storage Information |
| 71 | Ordering & Contact Information |
| 72 | RoHS Compliant & ams Green Statement |
| 73 | Copyrights & Disclaimer |
| 74 | Document Status |
| 75 | Revision Information |

Mouser Electronics

Authorized Distributor

Click to View Pricing, Inventory, Delivery & Lifecycle Information:

ScioSense:

[TDC-GPX2 TRA](#) [TDC-GPX2 FLQM](#)