



PEC1605M1Q

Electrical Characteristics

PARAMETER	SYMBOL	TEST CONDITION	MIN.	TYP.	MAX.	UNITS
Reverse Stand-Off Voltage ^(Note 1)	V_{RWM}	-	-	-	5.5	V
Reverse Breakdown Voltage	V_{BR}	$I_{BR}=1mA$	6.8	7.8	11.2	V
Reverse Leakage Current	I_R	$V_R=5.0V$	-	-	75	nA
Clamping Voltage	V_{CL}	$I_{PP}=1A, t_p=8/20\mu s$	-	-	12	V
		$I_{PP}=2A, t_p=8/20\mu s$	-	11	14	V
Clamping Voltage TLP ^(Note 2)	V_{CL}	$I_{PP}=8A, t_p=100ns$	-	14	-	V
		$I_{PP}=16A, t_p=100ns$	-	16	-	V
Dynamic Resistance	R_{DYN}	$t_p=100ns$	-	0.25	-	Ω
Off State Junction Capacitance	C_J	0Vdc Bias f=1MHz	-	-	0.6	pF

Note :

1. A transient suppressor is selected according to the working peak reverse voltage(V_{RWM}), which should be equal to or greater than the DC or continuous peak operation voltage level.
2. Testing using Transmission Line Pulse (TLP) conditions: $Z_0 = 50\Omega$, $t_P = 100 ns$.



PEC1605M1Q

TYPICAL CHARACTERISTIC CURVES

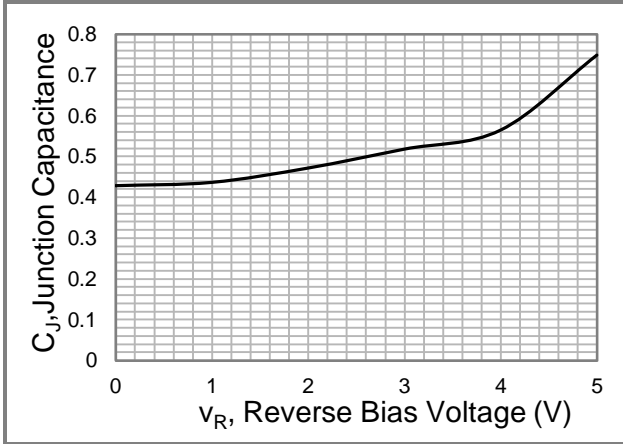


Fig.1 Typical Junction Capacitance

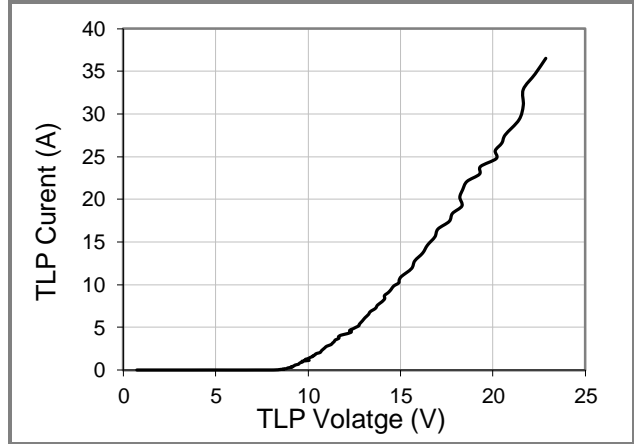


Fig.2 Transmission Line Pulsing (TLP) Measurement

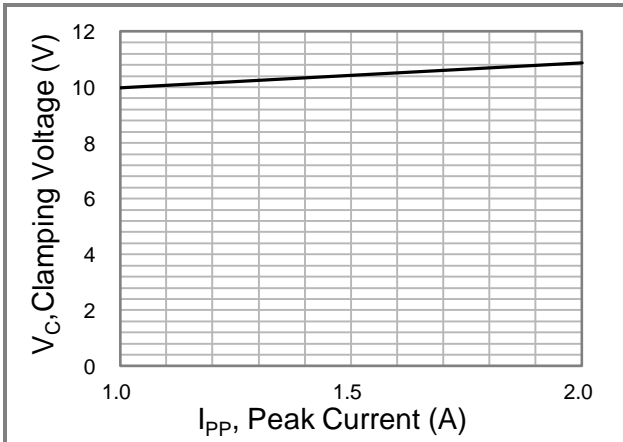


Fig.3 Typical Peak Clamping Voltage(8/20 μ s)

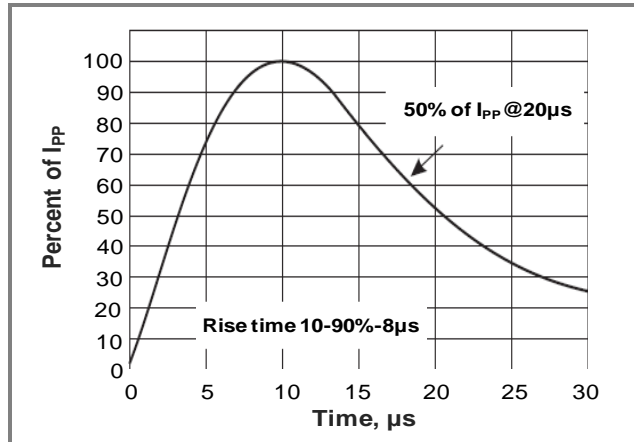


Fig.4 8/20 μ s Pulse Waveform

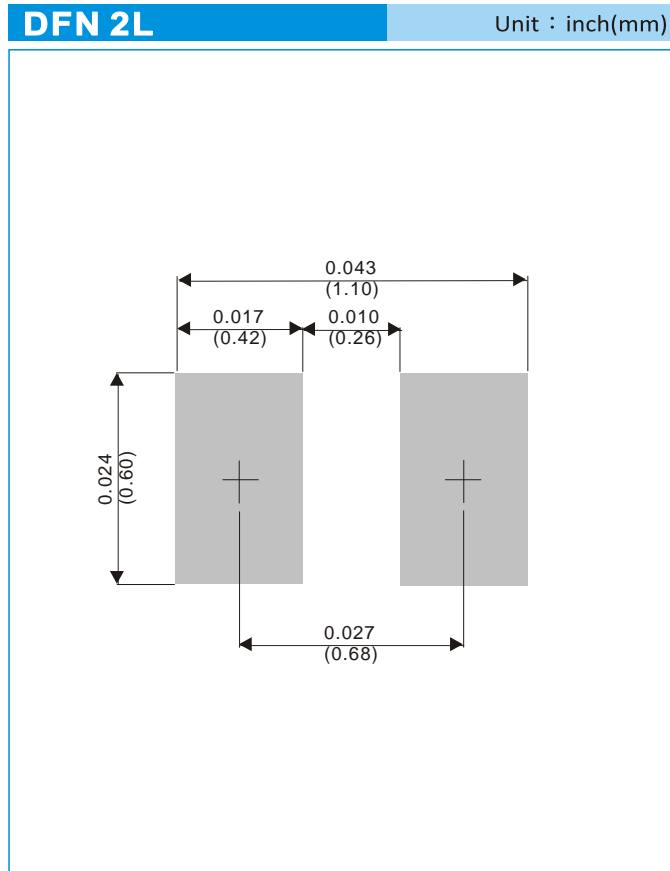


PEC1605M1Q

Part No Packing Code Version

Part No Packing Code	Package Type	Packing Type	Marking	Version
PEC1605M1Q_R1_00001	DFN 2L	8K pcs / 7" reel	BF	Halogen free

MOUNTING PAD LAYOUT





PEC1605M1Q

Disclaimer

- Reproducing and modifying information of the document is prohibited without permission from Panjit International Inc..
- Panjit International Inc. reserves the rights to make changes of the content herein the document anytime without notification. Please refer to our website for the latest document.
- Panjit International Inc. disclaims any and all liability arising out of the application or use of any product including damages incidentally and consequentially occurred.
- Panjit International Inc. does not assume any and all implied warranties, including warranties of fitness for particular purpose, non-infringement and merchantability.
- Applications shown on the herein document are examples of standard use and operation. Customers are responsible in comprehending the suitable use in particular applications. Panjit International Inc. makes no representation or warranty that such applications will be suitable for the specified use without further testing or modification.
- The products shown herein are not designed and authorized for equipments requiring high level of reliability or relating to human life and for any applications concerning life-saving or life-sustaining, such as medical instruments, transportation equipment, aerospace machinery et cetera. Customers using or selling these products for use in such applications do so at their own risk and agree to fully indemnify Panjit International Inc. for any damages resulting from such improper use or sale.
- Since Panjit uses lot number as the tracking base, please provide the lot number for tracking when complaining.

Mouser Electronics

Authorized Distributor

Click to View Pricing, Inventory, Delivery & Lifecycle Information:

Panjit:

[PEC1605M1Q_R1_00001](#)