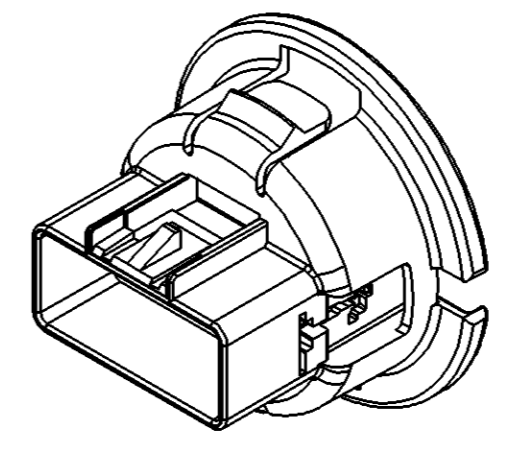
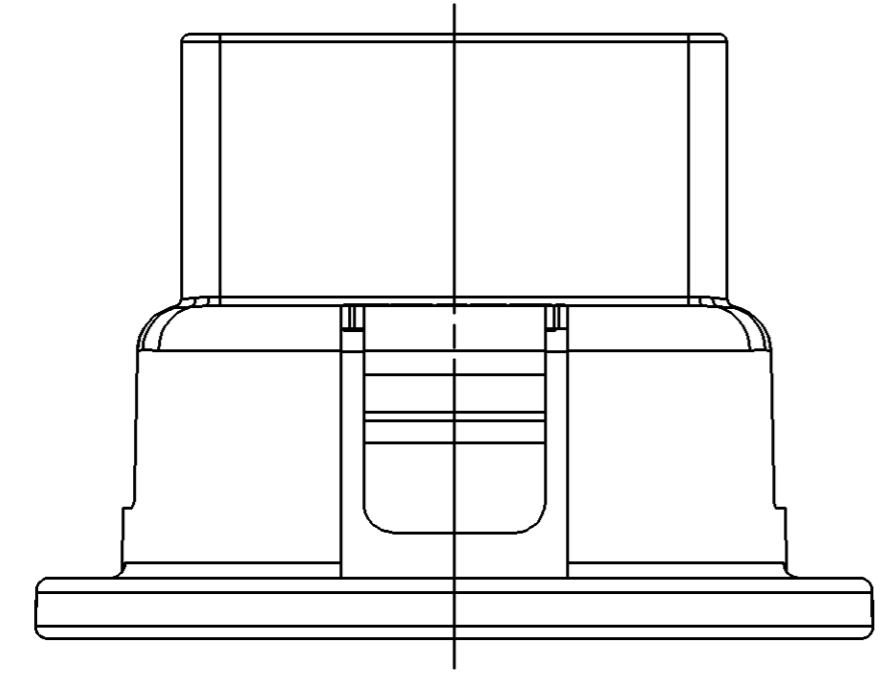
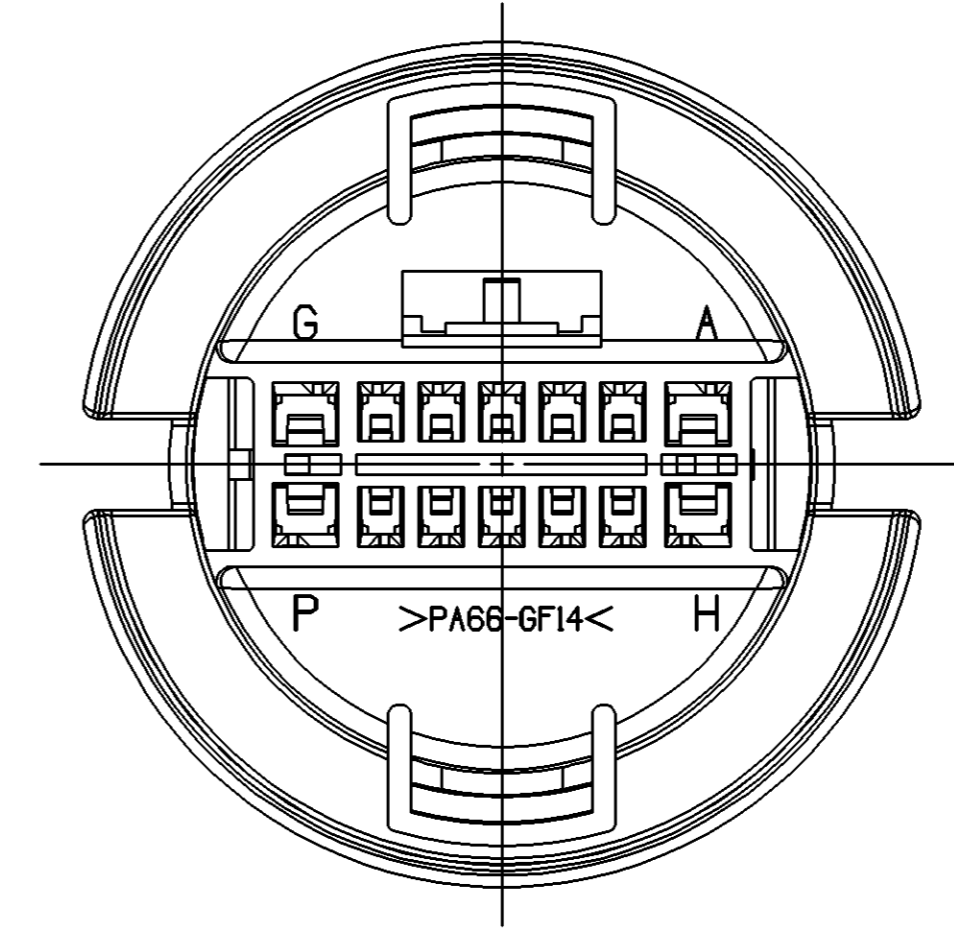
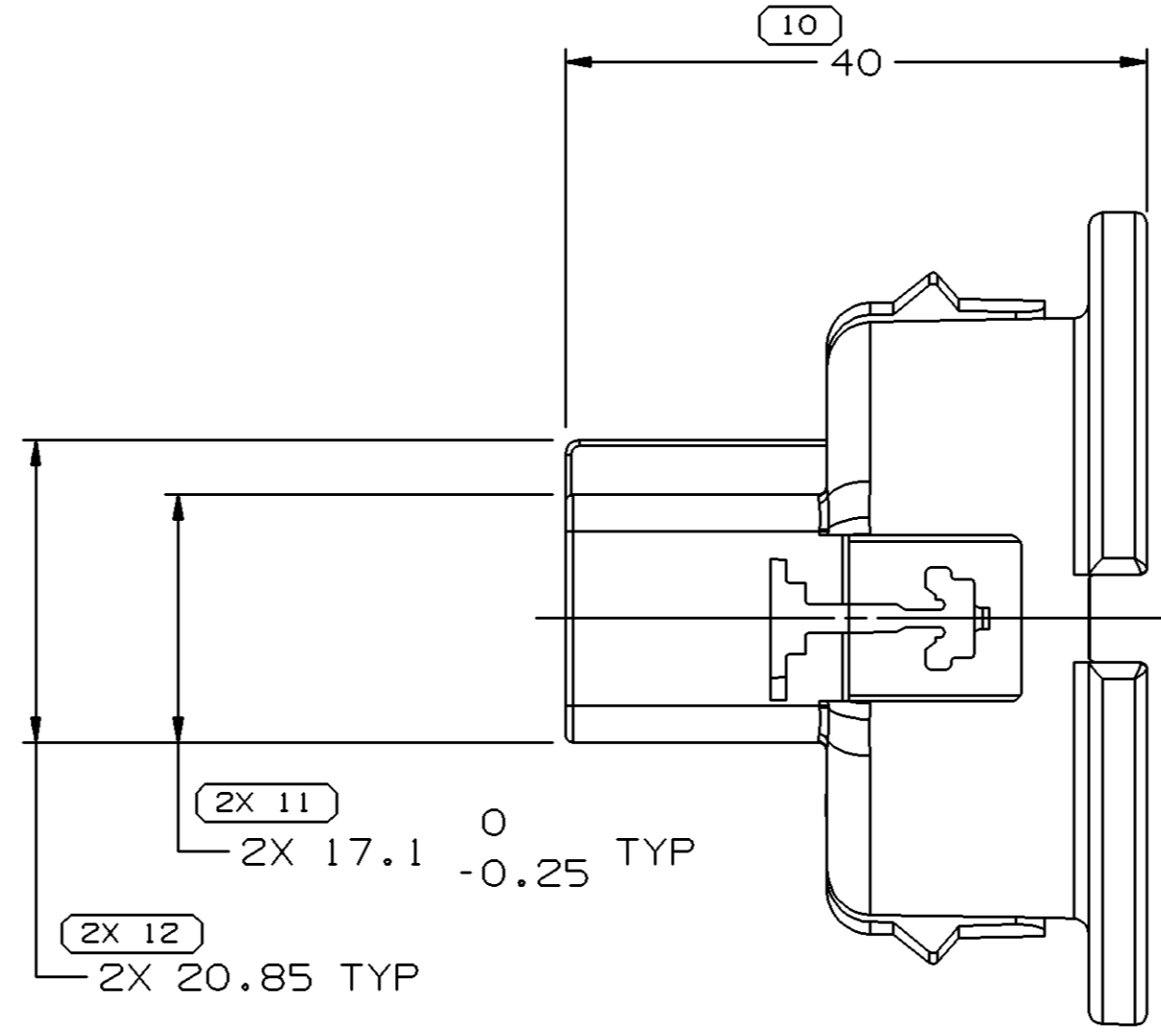
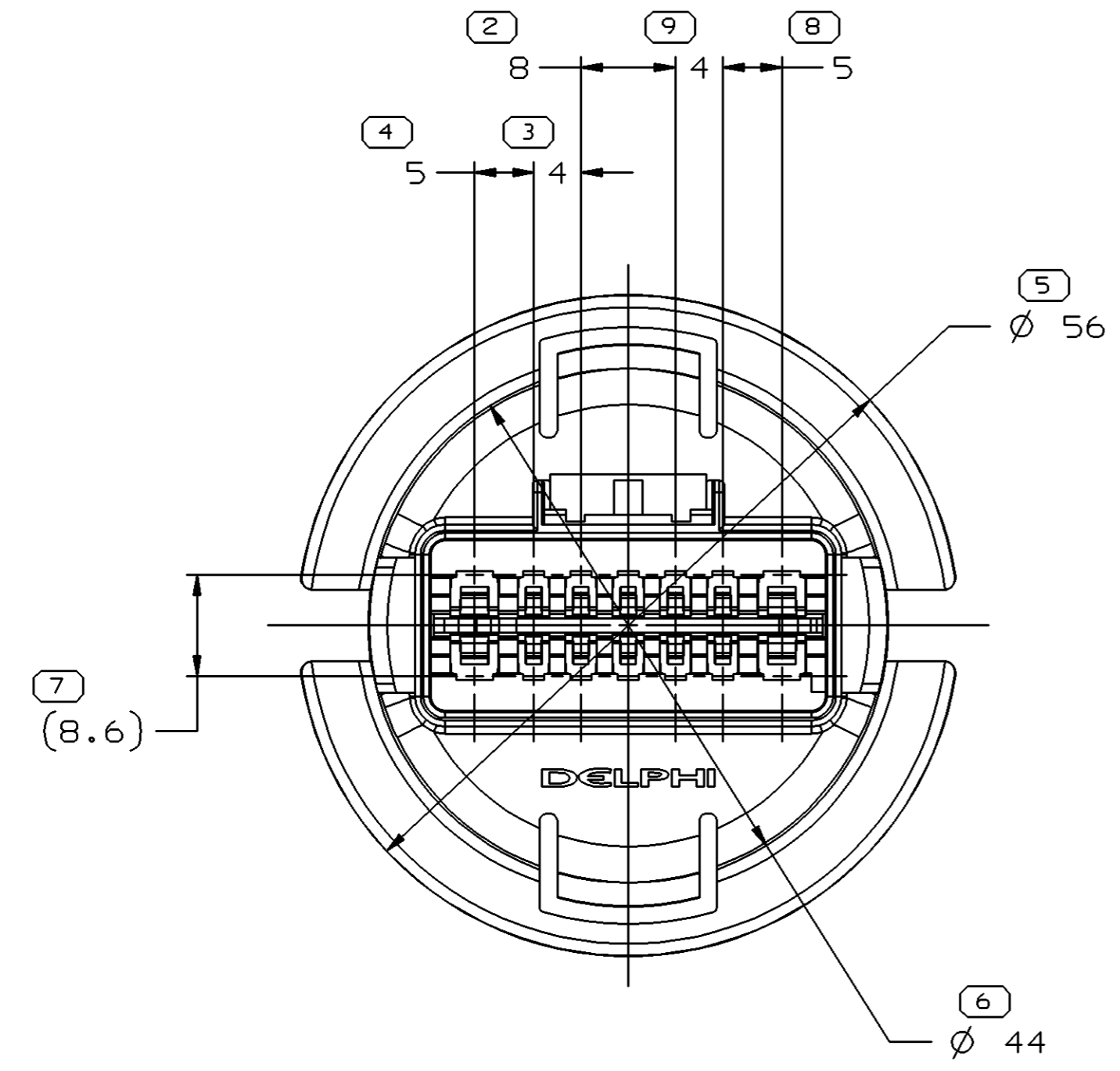
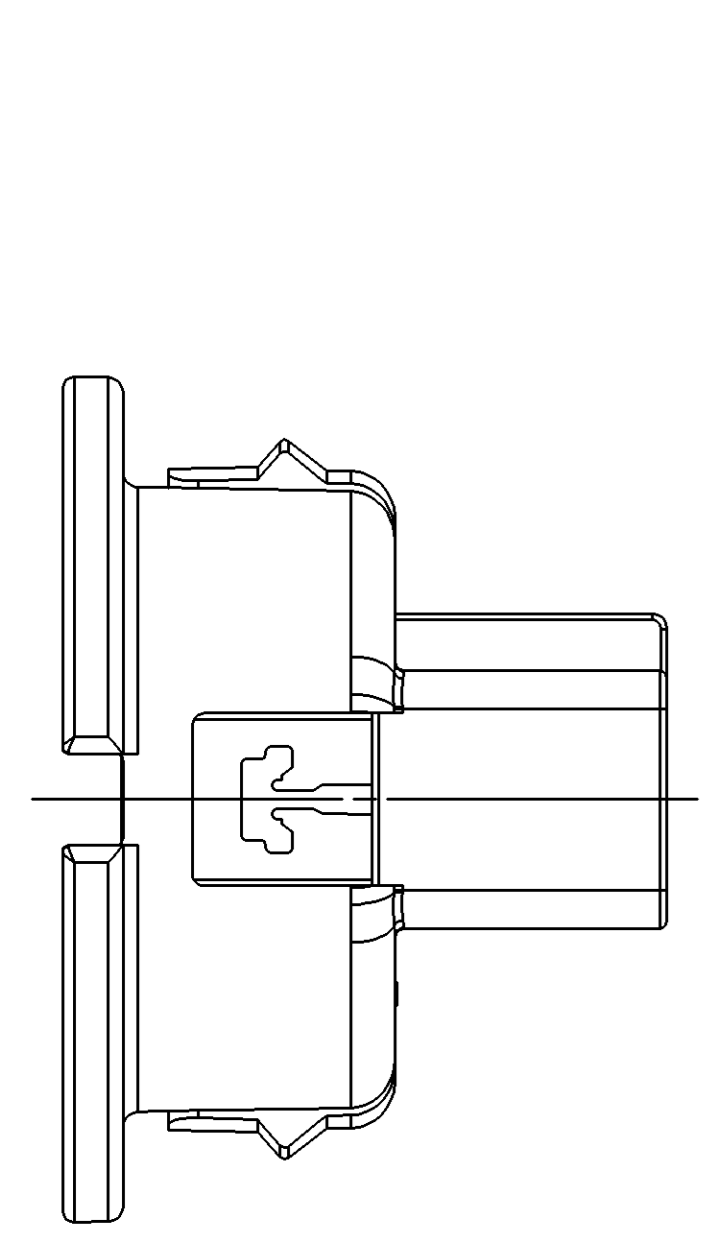
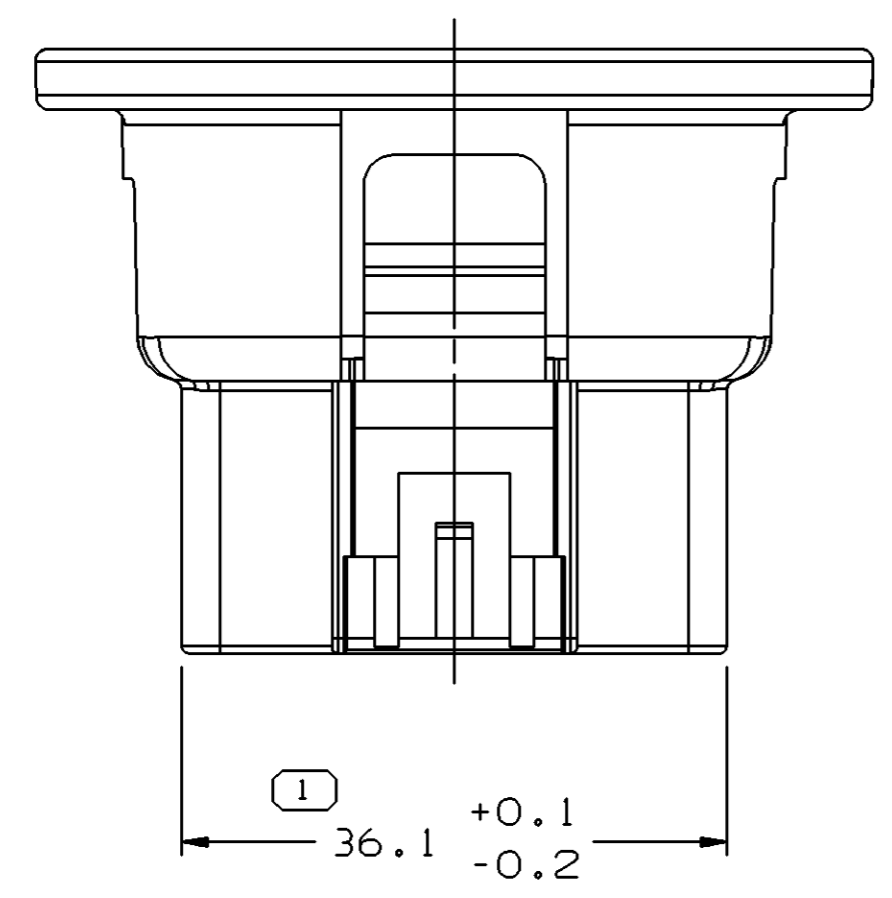


SYMBOL DEFINITION		MISSING SYMBOLS	
A DIMENSION WITHOUT AN INSPECTION REPORT SYMBOL ( ) DOES NOT REQUIRE INSPECTION. IT MAY BE CONTROLLED ON THE INDIVIDUAL COMPONENT DRAWING.	TOTAL NO OF INSPECTIONS REQUIRED	NO MISSING SYMBOL NUMBER	14
	LAST NO. USED		12

DWG STATUS					ZONE	REVISION HISTORY	AUTH	DR	APVD 1	APVD 2
DATE	STG	REV	N/P	CHG						
18AP05	U	01	-	-		WAS PE142972 AND RELEASED	265646	JEB	JEB	EJB
29AP05	R	01	AA	-		MAT'L SPEC WAS M2279023	267847	JBD	JAA	EJB
12MY05	R	01	AB	-		36.1 +0.1/-0.2 WAS 36.1 & 17.1 +0/-0.25 WAS 17.1	267927	JBD	FKV	EJB
09JN05	R	01	AC	-		UPDATED PDM ATTRIBUTES	268733	GPS	JAA	RAP



NOTES

- UNLESS OTHERWISE SPECIFIED AND/OR INDICATED:  
DIMENSIONS ARE TO FACE OF VIEW SHOWN AND AUTOMATICALLY ROUNDED BY COMPUTER FOR INSPECTION (SEE MATH MODEL FOR PRECISE DIMENSIONS). FOR ALL OTHER DIMENSIONS NOT SHOWN BUT REQUIRED FOR TOOL BUILD, SEE MATH MODEL FOR PRECISE TOOL PATH DATA.
- REFERENCE MATING COMPONENTS OR EQUIVALENT:  
CONNECTOR 15336212  
GROMMET 13524685
- THIS PART ACCEPTS THE FOLLOWING COMPONENTS OR EQUIVALENT:  
SLC 15336217  
CAVITIES B-F AND J-N TO ACCEPT TERMINAL 15304701  
CAVITIES A,G,H AND P TO ACCEPT TERMINAL 15304723
- (1.5)X(0.1) DELPHI CORPORATE BRAND TO BE LOCATED ON ANY EXTERIOR SURFACE, PREFERABLY VISIBLE AT FINAL ASSEMBLY. OPTIONAL CONSTRUCTION FOR EXISTING TOOLING MAY BE "PED".
- MATERIAL RECYCLING CODE PER ISO 11469. (1.5)X(0.1) CHARACTERS AS SHOWN TO BE LOCATED ON ANY EXTERIOR SURFACE.

DIMENSIONAL RANGE (MM)		CHART E1	
FROM	TO	TOLERANCE UNLESS OTHERWISE SPECIFIED	REFERENCE
>0	>20	±0.15	±1
>20	>30	±0.3	±1
>30	>70	±0.4	±1
>70	>100	±0.5	±1
>100	>150	±0.6	±1
>150	>200	±0.8	±1
>200	>250	±1	±1.2
>250	>300	±1	±1.2
>300	>400	±1	±1.2

DWG TYPE PART DRAWING	
STYLE	
VOLUME (CM³) 13.686	DISTR CODE D
UNLESS OTHERWISE SPECIFIED THIS DOCUMENT IS IN ACCORDANCE WITH ASME Y14.5M-1994 AS AMENDED BY THE GM GLOBAL DIMENSIONING AND TOLERANCING ADDENDUM-2001. SEPARATE PATTERNS OF FEATURES MAY BE GAGED SEPARATELY REGARDLESS OF DATUM REFERENCES.	
ALL DIMENSIONS ARE IN MILLIMETERS	
THIRD ANGLE PROJECTION	DO NOT SCALE
USE MATH DATA	UNIGRAPHICS

**DELPHI**  
DELPHI PACKARD ELECTRIC SYSTEMS  
WARREN, OH

DR	DATE
APVD1 J. BANKSTON	18AP05
APVD2 J. BANKSTON	18AP05
APVD3 E. BARDELLA	18AP05
APVD4	
APVD5	

SUBSTANCES OF CONCERN AND RECYCLED CONTENT PER DELPHI 10949001

MATERIAL  
M2279026 PA66 GF14 HS 1M GRA CD

DRAWING NAME  
CONN 14 M GT 150 280

DRAWING NUMBER  
13524530

SIZE A1	SCALE 2:1	FRAME NO 1 OF 1	SHEET NO 1 OF 1	STG R	REV 01	N/P AC
------------	--------------	--------------------	--------------------	----------	-----------	-----------

# Mouser Electronics

Authorized Distributor

Click to View Pricing, Inventory, Delivery & Lifecycle Information:

[Aptiv:](#)

[13524530](#)