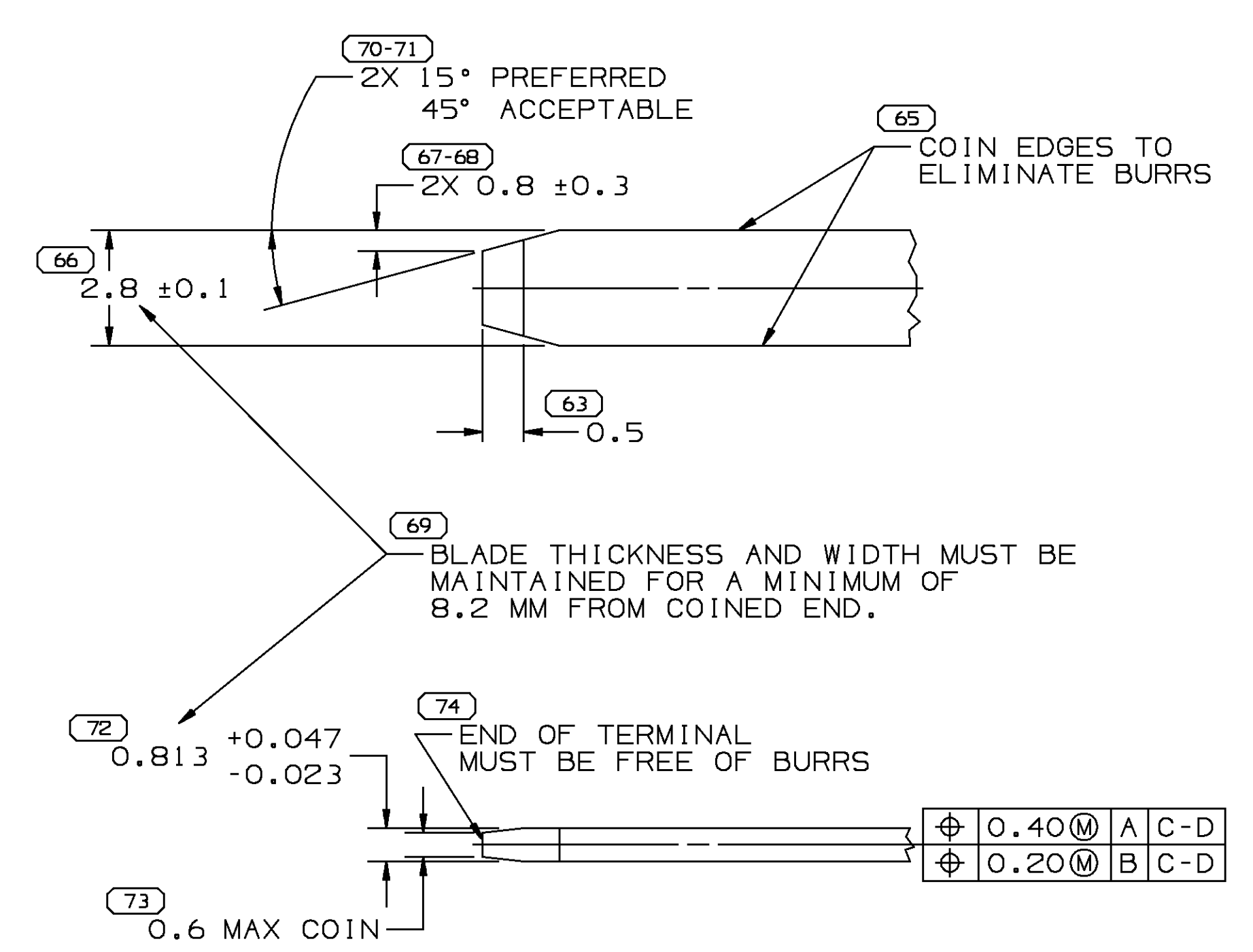


THIS DRAWING AND/OR ELECTRONIC FILE, AND THE DESIGN HEREON, CONSTITUTES A PROPRIETARY DESIGN OF DELPHI PACKARD ELECTRIC SYSTEMS AND IS NOT TO BE REPRODUCED OR REPRODUCED EXCEPT TO PRODUCE GOODS AND SERVICES TO DELPHI AUTOMOTIVE SYSTEMS. DO NOT SCALE

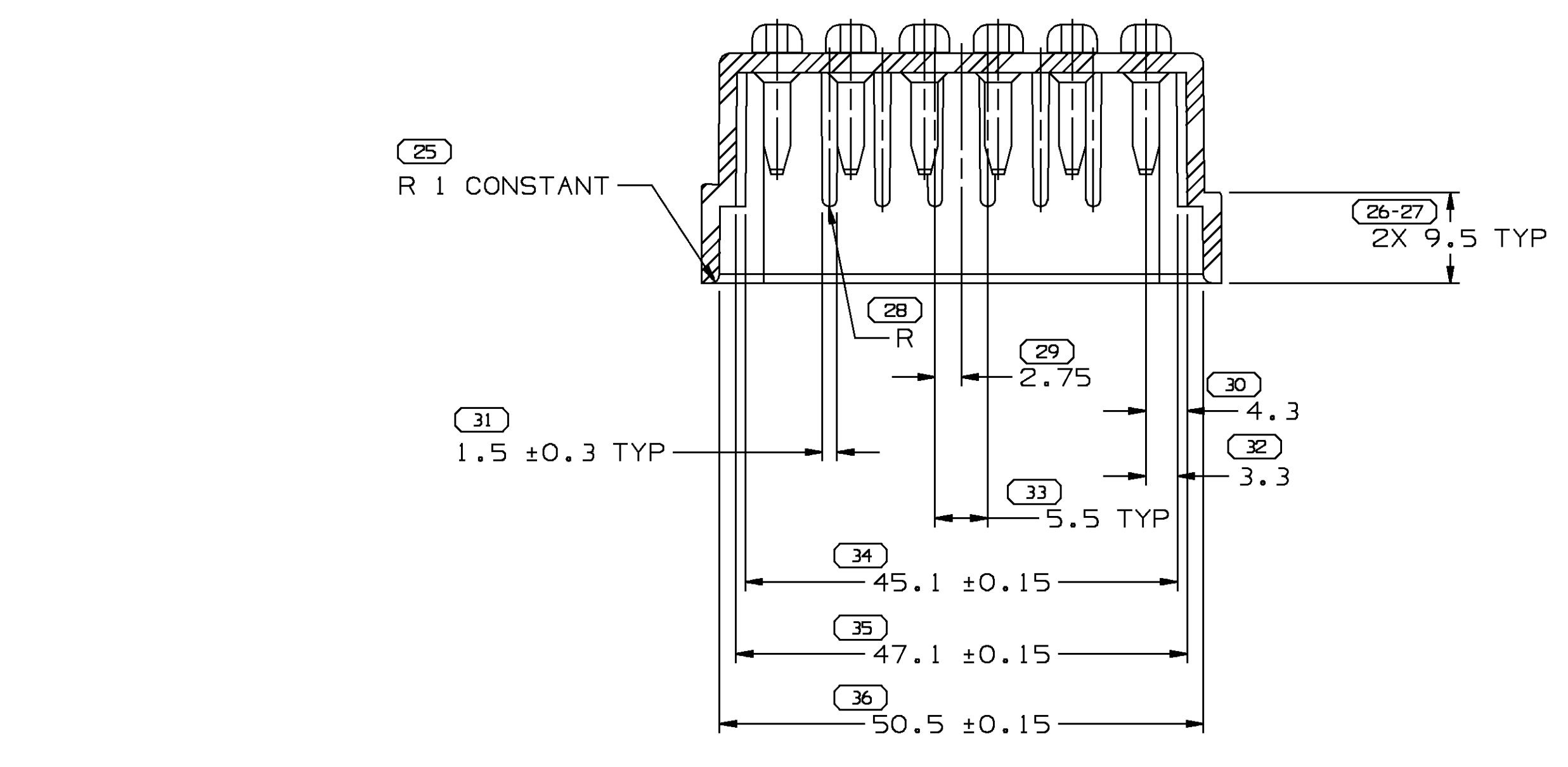
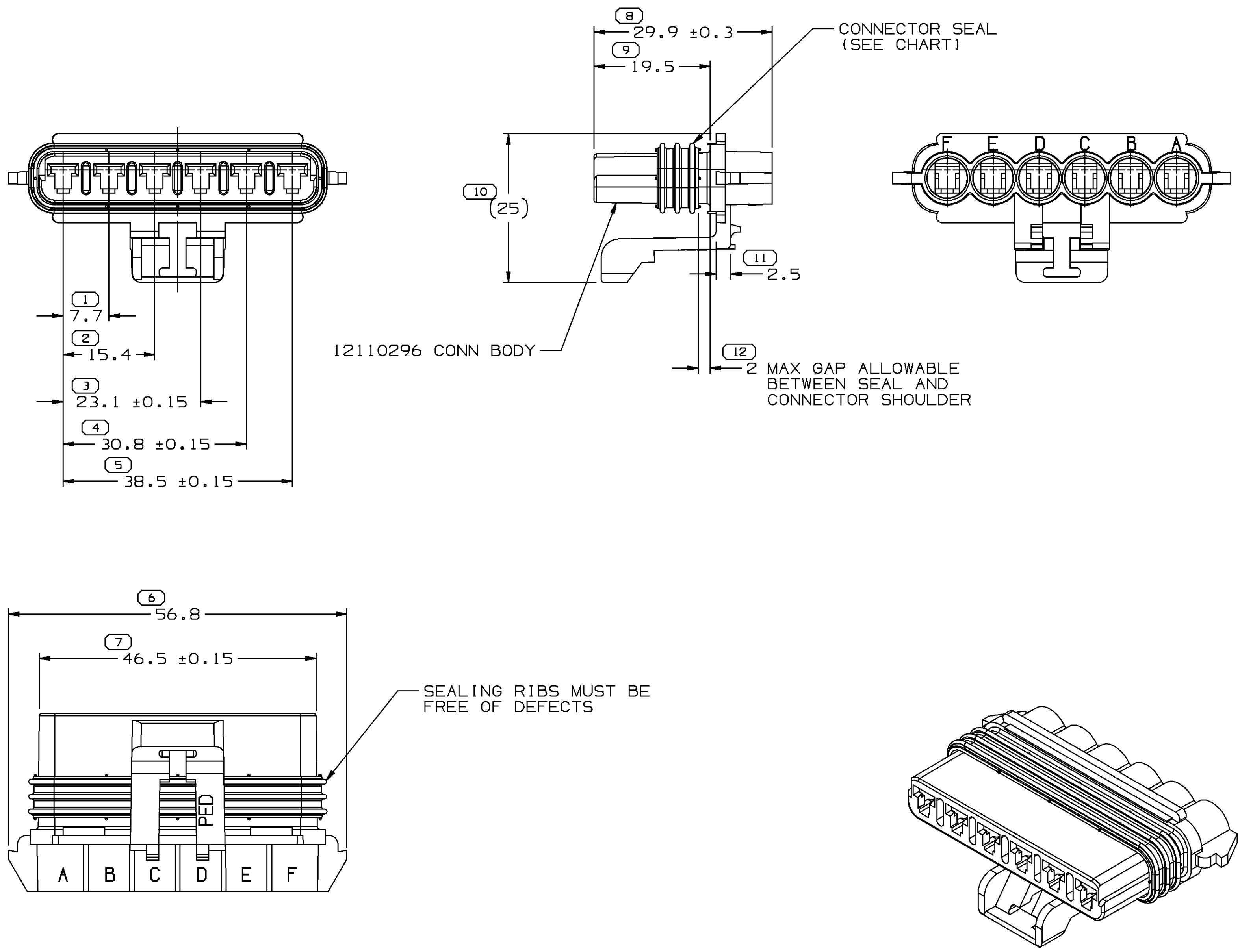


**MATERIAL SPECIFICATIONS**

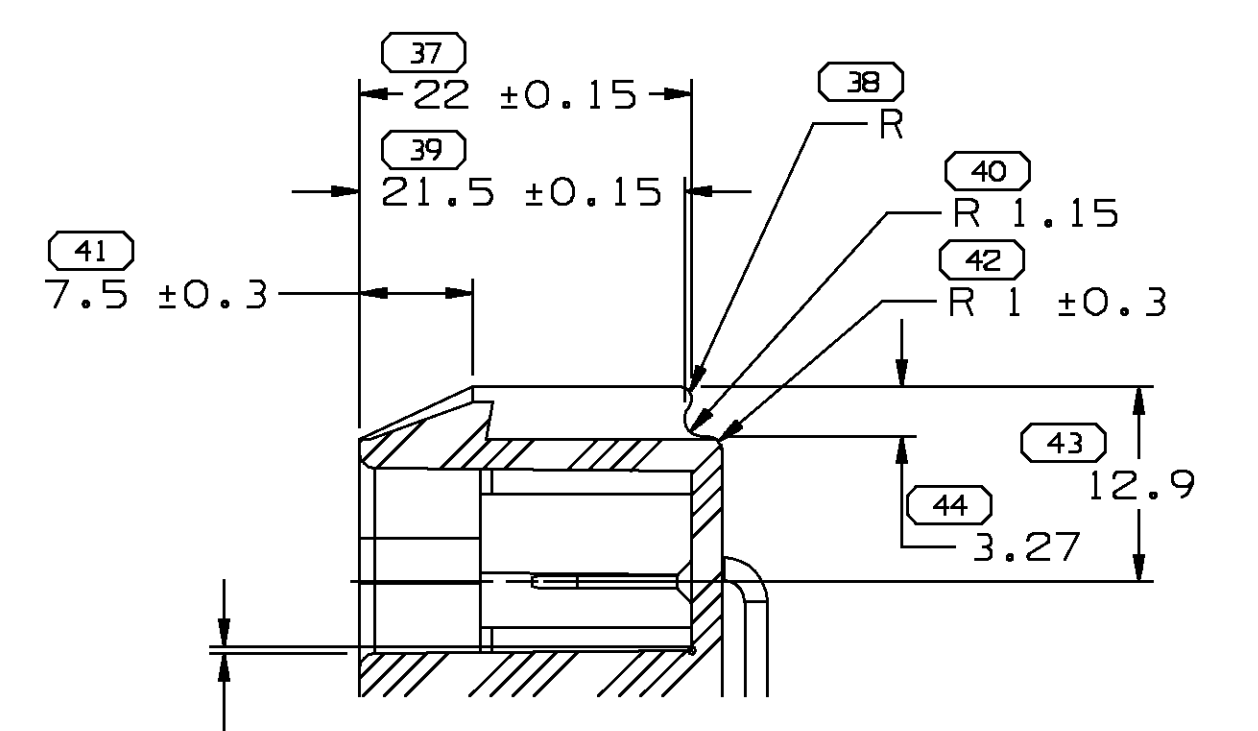
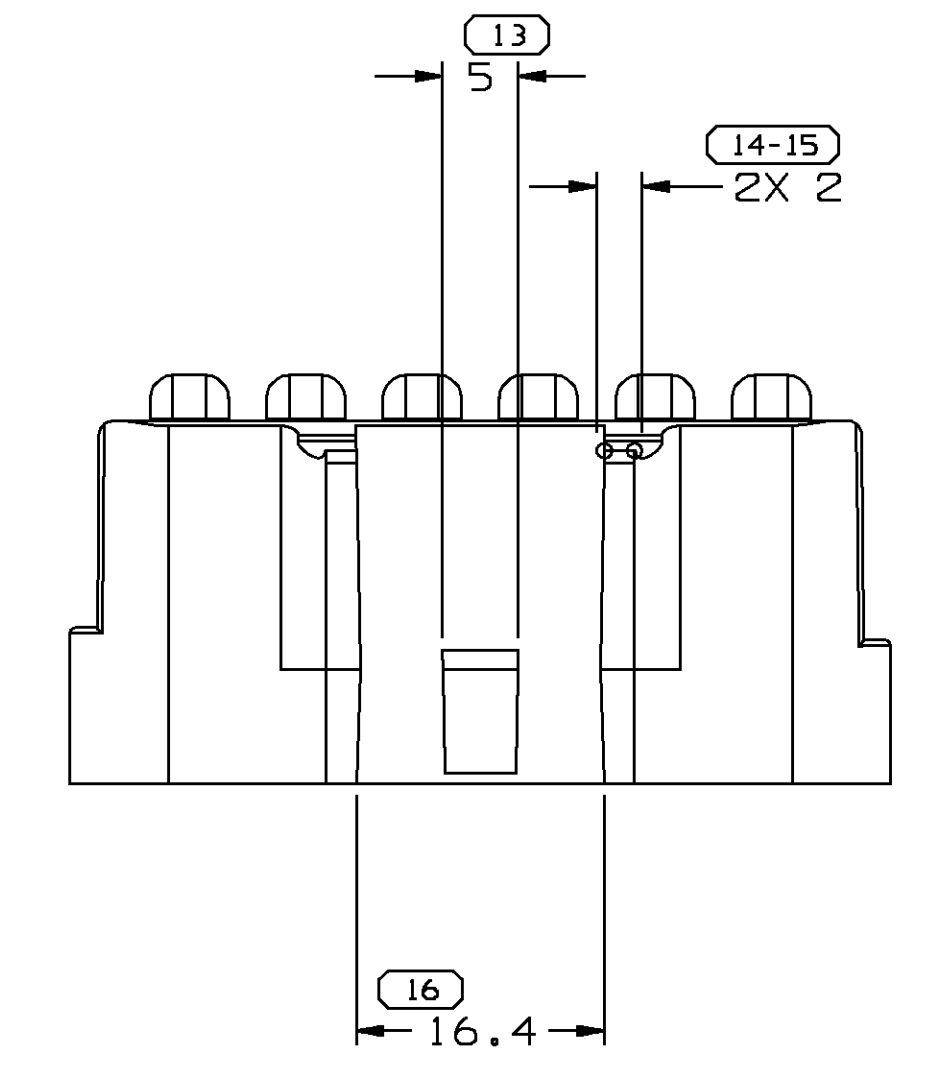
**RECOMMENDED**  
 BASE METAL - CDA-210, GILDING, EXTRA SPRING TEMPER  
 PLATING - 0.005±0.0025 MM THICK TIN

**MINIMUMS**  
 ELECTRICAL CONDUCTIVITY - ≥20% IACS AT 20°C. USE OF A MATERIAL WITH CONDUCTIVITY < 20% IACS MUST BE APPROVED BY DELPHI PACKARD ELECTRIC MATERIALS ENGINEERING.  
 TENSILE STRENGTH - 407 MPa  
 PLATING - FOR LOW ENERGY (≤5v) AND NON-PASSENGER COMPARTMENT POWER CIRCUITS, 0.005±0.0025 MM THICK TIN. FOR MATERIALS CONTAINING 10% OR MORE ZINC, AN UNDERPLATE OF COPPER 0.005±0.0025 MM THICK IS REQUIRED.

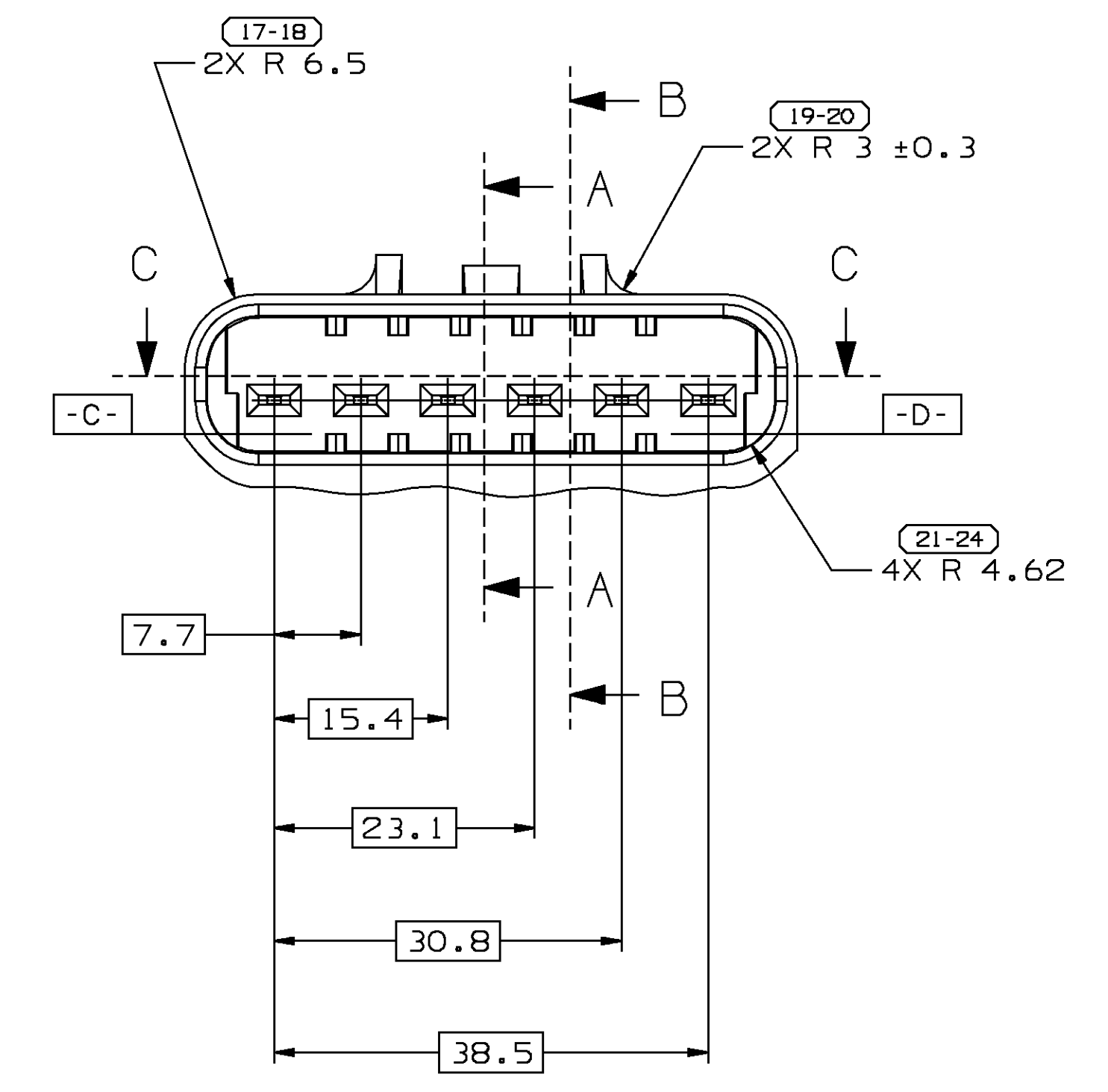
**MATING BLADE INFORMATION**  
 SCALE 4:1



SECTION C-C



SECTION A-A



SECTION B-B

**MATING CONNECTOR INFORMATION**

- NOTES**
- UNLESS OTHERWISE SPECIFIED AND/OR INDICATED: DIMENSIONS ARE TO FACE OF VIEW SHOWN AND AUTOMATICALLY ROUNDED BY COMPUTER FOR INSPECTION. (SEE MATH MODEL FOR PRECISE DIMENSIONS.) FOR ALL OTHER DIMENSIONS NOT SHOWN BUT REQUIRED FOR TOOL BUILD, SEE MATH MODEL FOR PRECISE TOOL PATH DATA.
  - WHEN PARTS ARE SHIPPED THEY MUST BE PACKED IN PLASTIC BAGS OR SHIPPING CONTAINERS MUST BE LINED WITH PLASTIC LINERS. BAGS OR LINERS MUST BE SEALED TO AVOID FOREIGN MATTER.
  - SEALING CODE 3 - DESIGN WILL PASS SALT FOG AND IMMERSION TEST AFTER CONDITIONING AS SPECIFIED IN ESA-644 (WEATHER-PACK), ESA-710 (METRI-PACK), ESA-650 (UNDERHOOD MICRO-PACK), C-4006 (WORLD CONNECTOR), ETC. - WHEN MATED TO MATING PART OR EQUIVALENT
  - MATING COMPONENTS OR EQUIVALENT: CUSTOMER PART ANTI-LOCK BRAKE PANEL
  - THIS PART ACCEPTS THE FOLLOWING COMPONENTS OR EQUIVALENT: SECONDARY TERMINAL LOCK 12059195  
 MAX CABLE O.D. 3.45  
 TERMINAL 12077412  
 CABLE SEAL 12015323  
 SEE DETAIL DRAWING FOR COMPATIBLE O.D. RANGE  
 CONNECTOR POSITION ASSURANCE LOCK 12110292

- NOTES**
- UNLESS OTHERWISE SPECIFIED AND/OR INDICATED: DIMENSIONS ARE TO FACE OF VIEW SHOWN AND AUTOMATICALLY ROUNDED BY COMPUTER FOR INSPECTION. (SEE MATH MODEL FOR PRECISE DIMENSIONS.) FOR ALL OTHER DIMENSIONS NOT SHOWN BUT REQUIRED FOR TOOL BUILD, SEE MATH MODEL FOR PRECISE TOOL PATH DATA. ALL RADII 0.4 DRAFT 15 1° ON ALL OUTSIDE SURFACES
  - RECOMMENDED MATERIAL - GLASS FILLED NYLON OR POLYESTER.
  - WHEN USING THIS INFORMATION FOR A NEW DESIGN, REQUEST THE LATEST COPY OF THIS PRINT FROM DELPHI PACKARD ELECTRIC DIVISION.

SYMBOL DEFINITION		MISSING NUMBERS		DATE	SYM	REVISION RECORD	AUTH	DR	CK
THE NUMBER INSIDE THE SYMBOL CORRESPONDS TO THE NUMBER ON THE INSPECTION REPORT FOR THIS DRAWING/PART NUMBER	TOTAL NO. OF SYMBOLS ON DRAWING	65		24AU9B		12110295 - WAS SEPARATED			
	LAST NO. USED	74				DRAWING - NO REV UPDATE			
						REQUIRED	188834	MP	BMC
						1532449B - RELEASED TO			
						REV "A"	980005	MP	BMC

PART NO  
1532 4499

PART NO  
1532 4499

THE FOLLOWING APPLY UNLESS OTHERWISE SPECIFIED:  
 PERFECT FORM REQUIRED FOR FEATURES OF SIZE AT MMC.  
 TRUE POSITION TOLERANCES, AND RELATED DATUMS, APPLY AT CONDITION OF SIZE INDICATED IN FEATURE CONTROL FRAME.  
 OTHER GEOMETRIC TOLERANCES, AND RELATED DATUMS, APPLY RFS, SEPARATE TRUE POSITION CALLOUTS MAY BE GAGED SEPARATELY, REGARDLESS OF DATUM PREFERENCE. SEE DIM STANDARDS, AND APPLICABLE DIVISIONAL STANDARDS, FOR INTERPRETATION.

**GEOMETRIC TOLERANCE SYMBOLS**

□ FLAT	⌒ PROFILE OF A LINE	∥ PARALLEL
— STRAIGHT	⊥ PERPENDICULAR	∠ TRUE POSITION
○ ROUND	⊜ PROFILE OF A SURFACE	⊙ CIRCULAR RUNOUT
∅ CYLINDRICAL	∠ ANGULAR	⊘ TOTAL RUNOUT
Ⓜ MAXIMUM MATERIAL CONDITION (MMC)		Ⓟ DIAMETER
Ⓛ LEAST MATERIAL CONDITION (LMC)		[Ⓜ] BASIC DIMENSION
Ⓟ REGARDLESS OF FEATURE SIZE (RFS)		
Ⓡ PROJECTED TOL ZONE		

**PART DRAWING**

THIRD ANGLE PROJECTION

**Uitographics**

CODE NO	6900	OC	-C-5110	<b>METRIC</b>
DWG DATE	24AU9B	DES	2:1	DIMENSIONS ARE IN MILLIMETERS UNLESS OTHERWISE SPECIFIED
REFERENCE NO	001	DRM. PADILLA	24AU9B	
		CRG. MACIAS	24AU9B	
		APPR		
		VOL. CM <sup>3</sup>		

MATERIAL SPEC SEE DWG

TAXI ASM CONN 6F M/P 280 SLD

1532 4499

SIZE AO

1532449B	A		15324497
12110295	E		12059201
PART NO	REV	STATUS	CONNECTOR SEAL

# Mouser Electronics

Authorized Distributor

Click to View Pricing, Inventory, Delivery & Lifecycle Information:

[Aptiv:](#)

[12110295](#)