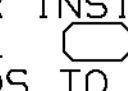
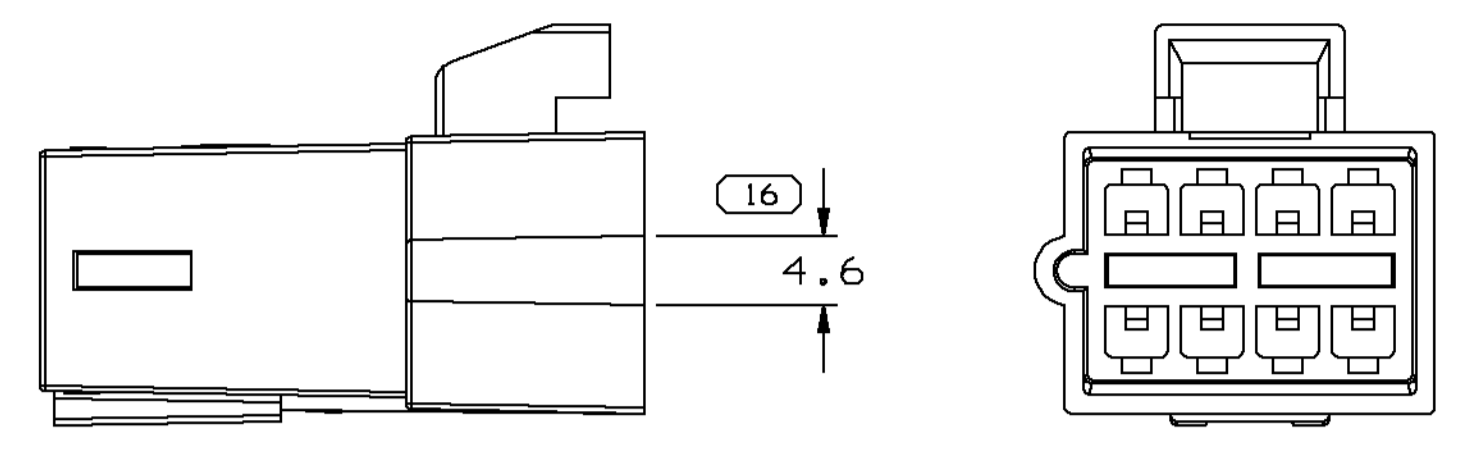
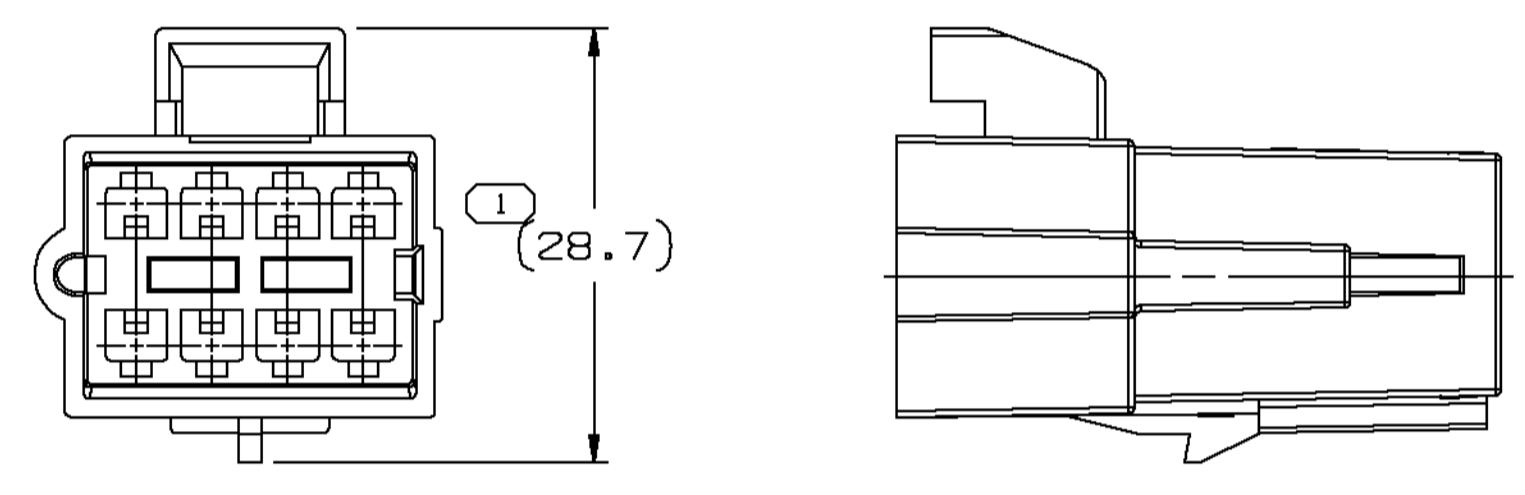
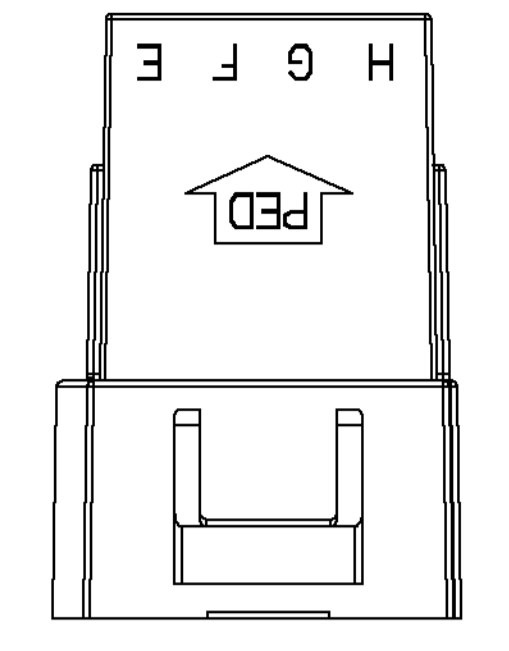


SYMBOL DEFINITION		MISSING NUMBERS	
THE NUMBER INSIDE THE SYMBOL  CORRESPONDS TO THE NUMBER ON THE INSPECTION REPORT FOR THIS DRAWING/PART NUMBER	TOTAL NO. OF SYMBOLS ON DRAWING	10	
	LAST NO. USED	16	

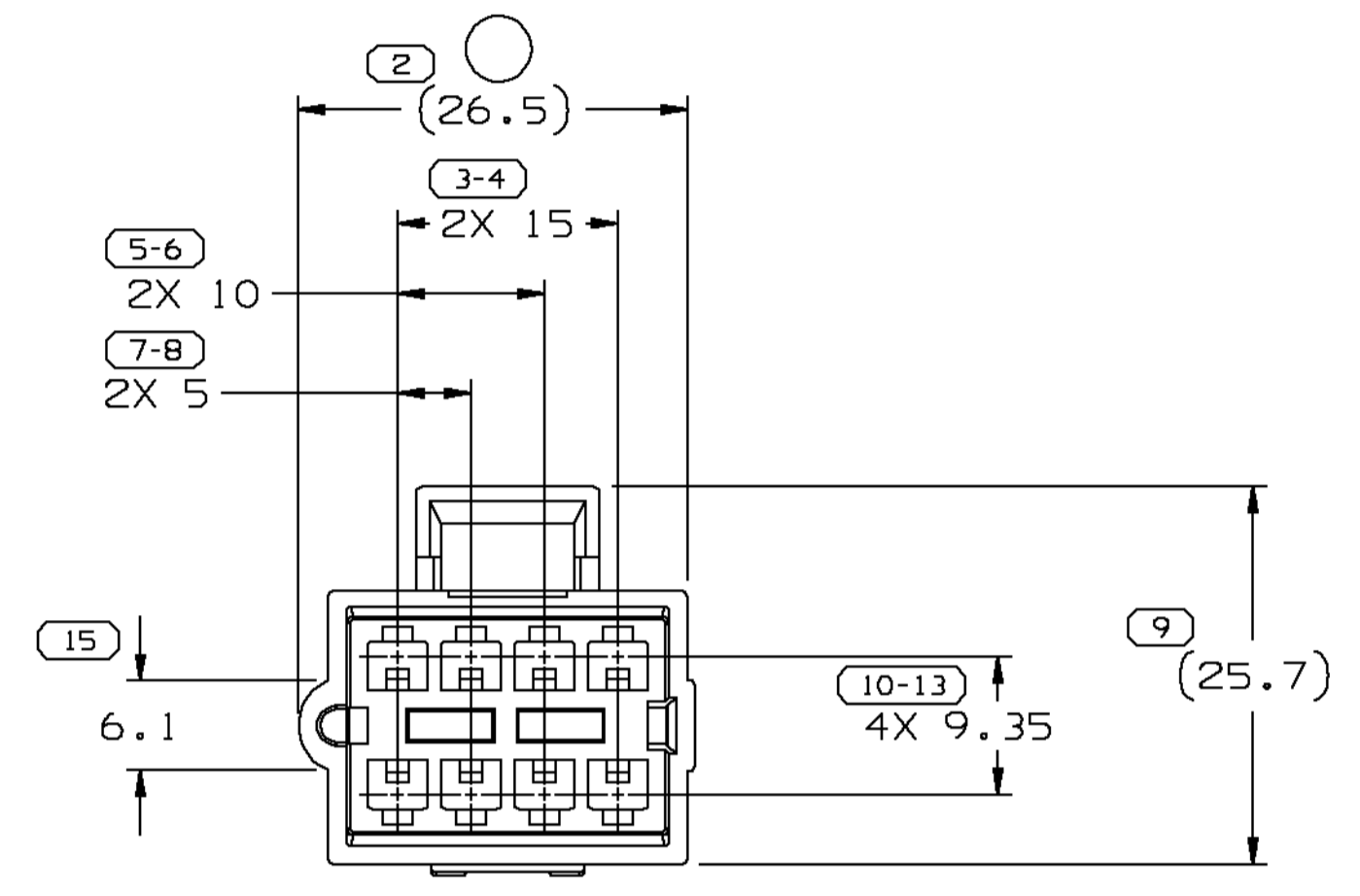
DWG STATUS				ZONE	REVISION HISTORY	AUTH	DR	CK	APVD
DATE	STG	REV	CHG/N/P						
25AP00	R	001	-		CLEARED REV COLUMN & ALL PARTS - PSD WAS (26.5)	201175	RGT	RCH	JA
25AP00	R	002	-		15393157 - RELEASED	000005	RGT	RCH	JA



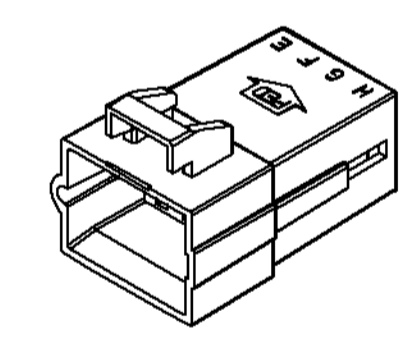
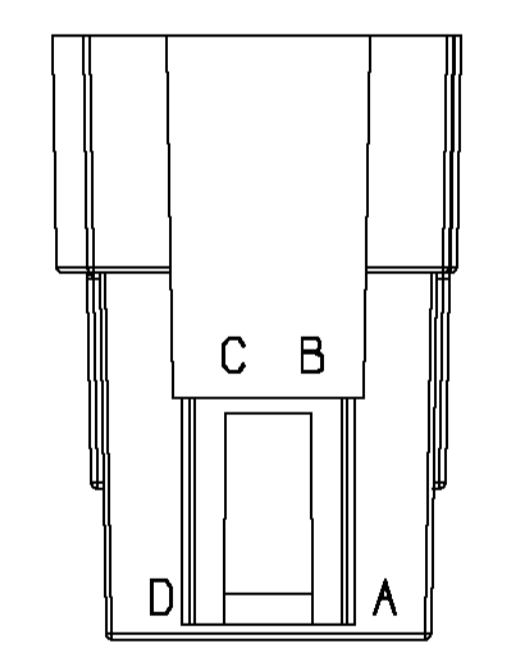
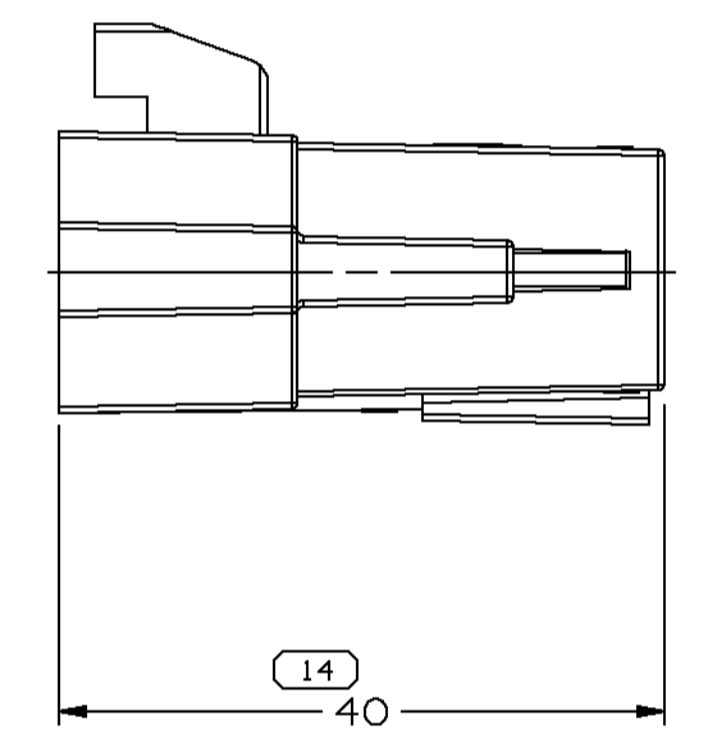
OPTIONAL CONSTRUCTION



TYPE 102  
SAME AS TYPE 101  
EXCEPT AS SHOWN




TYPE 101




NOTES:

- UNLESS OTHERWISE SPECIFIED AND/OR INDICATED: DIMENSIONS ARE TO FACE OF VIEW SHOWN AND AUTOMATICALLY ROUNDED BY COMPUTER FOR INSPECTION. (SEE MATH MODEL FOR PRECISE DIMENSIONS.) FOR ALL OTHER DIMENSIONS NOT SHOWN BUT REQUIRED FOR TOOL BUILD, SEE MATH MODEL FOR PRECISE TOOL PATH DATA.
- MATING COMPONENTS OR EQUIVALENT: CONNECTOR SEE CHART
- THIS PART ACCEPTS THE FOLLOWING COMPONENTS OR EQUIVALENT: CAVITIES TO ACCEPT 12020116 TERMINAL SECONDARY TERMINAL LOCK 12065141 CONNECTOR POSITION ASSURANCE LOCK 12052834

15393157	R	001			101	R0071784 PA66 HS IM-GRA MD	12162066	6.823
15358651	R	A3			102	R0071754 PA66 HS IM-BLK	12064998	6.874
12110214	R	B3			101	R0071782 PA66 HS IM-YEL	12110216	6.823
12066195	R	D3			101	R0071754 PA66 HS IM-BLK	12064998	6.823
PART NO	STG	REV	N/P	STATUS	TYPE	MATERIAL SPECIFICATION AND COLOR	MATING CONNECTOR	VOL CM <sup>3</sup>

 PROCESS SENSITIVE DIMENSION  
DIMENSIONS ENCLOSED IN ( ) INDICATE REFERENCE DIMENSIONS AND NO TOLERANCE LIMITS ARE ESTABLISHED

<b>DELPHI</b> Automotive Systems		DISTR CODE																																				
MATERIAL SPEC SEE CHART		<table border="1"> <thead> <tr> <th colspan="4">DIMENSIONAL RANGE (MM)</th> <th>CHART E</th> </tr> <tr> <th>FROM</th> <th>TO</th> <th>&gt; 20</th> <th>&gt; 30</th> <th>&gt; 70</th> <th>&gt; 100</th> </tr> </thead> <tbody> <tr> <td>0</td> <td>20</td> <td>30</td> <td>70</td> <td>100</td> <td></td> </tr> <tr> <td colspan="6">TOLERANCE UNLESS OTHERWISE SPECIFIED</td> </tr> <tr> <td colspan="2"></td> <td>+0.15</td> <td>+0.2</td> <td>+0.3</td> <td>+0.4</td> </tr> <tr> <td colspan="6">ANGULAR TOLERANCE ± 2°</td> </tr> </tbody> </table>		DIMENSIONAL RANGE (MM)				CHART E	FROM	TO	> 20	> 30	> 70	> 100	0	20	30	70	100		TOLERANCE UNLESS OTHERWISE SPECIFIED								+0.15	+0.2	+0.3	+0.4	ANGULAR TOLERANCE ± 2°					
DIMENSIONAL RANGE (MM)				CHART E																																		
FROM	TO	> 20	> 30	> 70	> 100																																	
0	20	30	70	100																																		
TOLERANCE UNLESS OTHERWISE SPECIFIED																																						
		+0.15	+0.2	+0.3	+0.4																																	
ANGULAR TOLERANCE ± 2°																																						
<b>PART DRAWING</b>																																						
CODE NUMBER 6900	DWG DATE 04MY90	SCALE 2:1																																				
QC SPEC	STYLE	VOLUME cm <sup>3</sup> SEE DWG																																				
PART GEOMETRY 3D SOLID		UNLESS OTHERWISE SPECIFIED: PERFECT FORM REQUIRED FOR FEATURES OF SIZE AT MMC. TRUE POSITION TOLERANCES AND RELATED DATUMS APPLY AT CONDITION OF SIZE INDICATED IN FEATURE CONTROL FRAME. ALL OTHER GEOMETRIC TOLERANCES AND RELATED DATUMS APPLY RFS. SEPARATE TRUE POSITION CALLOUTS MAY BE GAGED SEPARATELY, REGARDLESS OF DATUM REFERENCE.																																				
CHANGE RESTRICTED NO MANUAL CHANGES		<table border="1"> <thead> <tr> <th>REFERENCE</th> <th>DR</th> <th>DATE</th> </tr> </thead> <tbody> <tr> <td>001,701</td> <td>APVD1 M. PADILLA</td> <td>10JL98</td> </tr> <tr> <td></td> <td>APVD2 G. MACIAS</td> <td>10JL98</td> </tr> <tr> <td></td> <td>APVD3</td> <td></td> </tr> <tr> <td></td> <td>APVD4</td> <td></td> </tr> <tr> <td></td> <td>APVD5</td> <td></td> </tr> </tbody> </table>		REFERENCE	DR	DATE	001,701	APVD1 M. PADILLA	10JL98		APVD2 G. MACIAS	10JL98		APVD3			APVD4			APVD5																		
REFERENCE	DR	DATE																																				
001,701	APVD1 M. PADILLA	10JL98																																				
	APVD2 G. MACIAS	10JL98																																				
	APVD3																																					
	APVD4																																					
	APVD5																																					
COPY OF MATH DATA DO NOT SCALE		<table border="1"> <thead> <tr> <th>METRIC</th> <th>UNLESS OTHERWISE SPECIFIED, ALL DIMENSIONS ARE IN MILLIMETERS</th> </tr> </thead> <tbody> <tr> <td colspan="2">THIRD ANGLE PROJECTION</td> </tr> </tbody> </table>		METRIC	UNLESS OTHERWISE SPECIFIED, ALL DIMENSIONS ARE IN MILLIMETERS	THIRD ANGLE PROJECTION																																
METRIC	UNLESS OTHERWISE SPECIFIED, ALL DIMENSIONS ARE IN MILLIMETERS																																					
THIRD ANGLE PROJECTION																																						
DRAWING NAME TAXI CONN 8M M/P 280		<table border="1"> <thead> <tr> <th>SHEET NUMBER</th> <th>DRAWING NUMBER</th> <th>DWG STATUS</th> <th>SIZE</th> </tr> </thead> <tbody> <tr> <td>1 OF 1</td> <td>12103443</td> <td>R 002 -</td> <td>A1</td> </tr> </tbody> </table>		SHEET NUMBER	DRAWING NUMBER	DWG STATUS	SIZE	1 OF 1	12103443	R 002 -	A1																											
SHEET NUMBER	DRAWING NUMBER	DWG STATUS	SIZE																																			
1 OF 1	12103443	R 002 -	A1																																			

# Mouser Electronics

Authorized Distributor

Click to View Pricing, Inventory, Delivery & Lifecycle Information:

[Aptiv:](#)

[15358651](#)