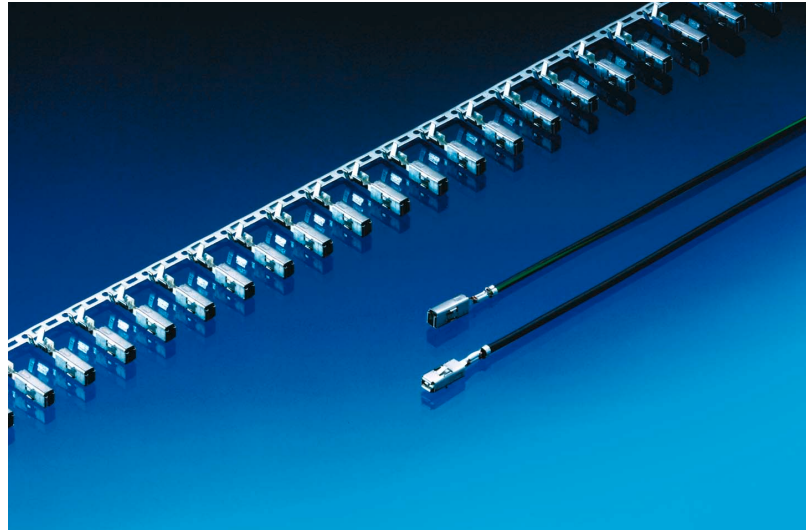


2.8 mm female terminal

Features

- DCK technology
- Long box in CrNi
- 5 mm pitch for unsealed application
- 6 mm pitch for sealed application with SWS
- Single wire seal versions available
- Crimp code on terminal
- Suitable for secondary lock



Performance characteristics*

- Contact resistance: < 3 m Ω
- Contact mating force: < 9 N
- Contact unmating force: < 5 N
- Current carrying capacity with 2.5 mm² wire:

at 23°C up to approx.:	30 A
at 85°C up to approx.:	20 A
at 100°C up to approx.:	15 A

* Mated with 2.8 x 0.8 mm DCS-2 male terminals (Sn)

Packing

- No. of terminals per reel: Consult us
- No. of reels per packing: Consult us

Tooling

- Manual crimping tool: Consult us
- Mini applicator: Consult us

Part Numbers	Type	Wire size range (in mm ²)		Insulation \varnothing (in mm) Max.	Material	Plating
		Min.	Max.			
6 001 36 11	Female	0.22	0.35	1.40	CuNiSi/CrNi	Sn
6 001 36 31	Female	0.50	1.00	2.10	CuNiSi/CrNi	Sn
6 001 36 41	Female	1.00	2.50	3.00	CuNiSi/CrNi	Sn
6 001 37 11 (SWS)	Female	0.22	0.35	1.40	CuNiSi/CrNi	Sn
6 001 37 31 (SWS)	Female	0.50	1.00	2.10	CuNiSi/CrNi	Sn
6 001 37 41 (SWS)	Female	1.00	2.50	3.00	CuNiSi/CrNi	Sn

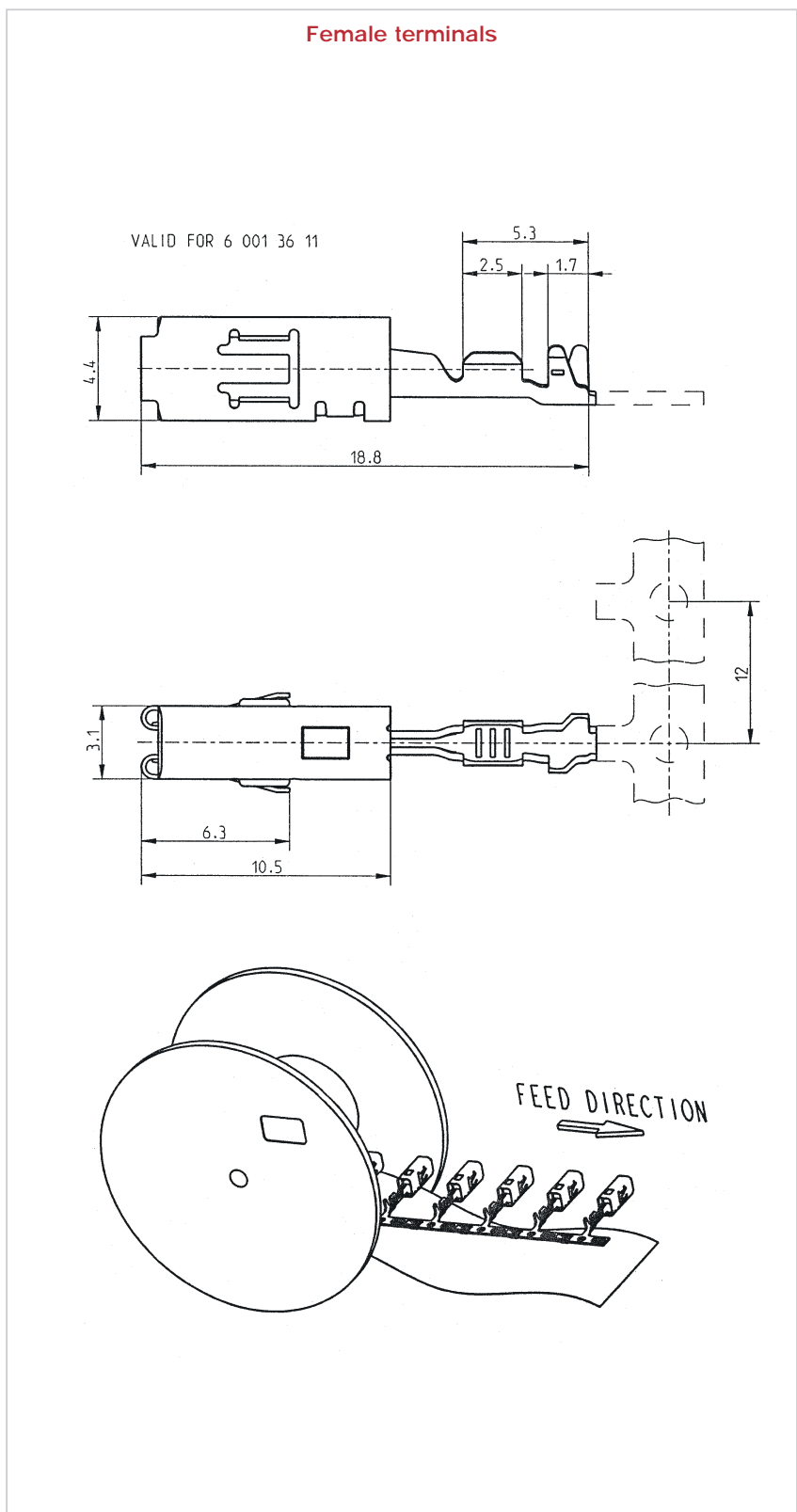
SWS: Single Wire Seal

DCK

2.8 mm female terminal

Dimensional characteristics

Notes :



Mouser Electronics

Authorized Distributor

Click to View Pricing, Inventory, Delivery & Lifecycle Information:

[Aptiv:](#)

[60013741-L](#) [60013731-L](#)