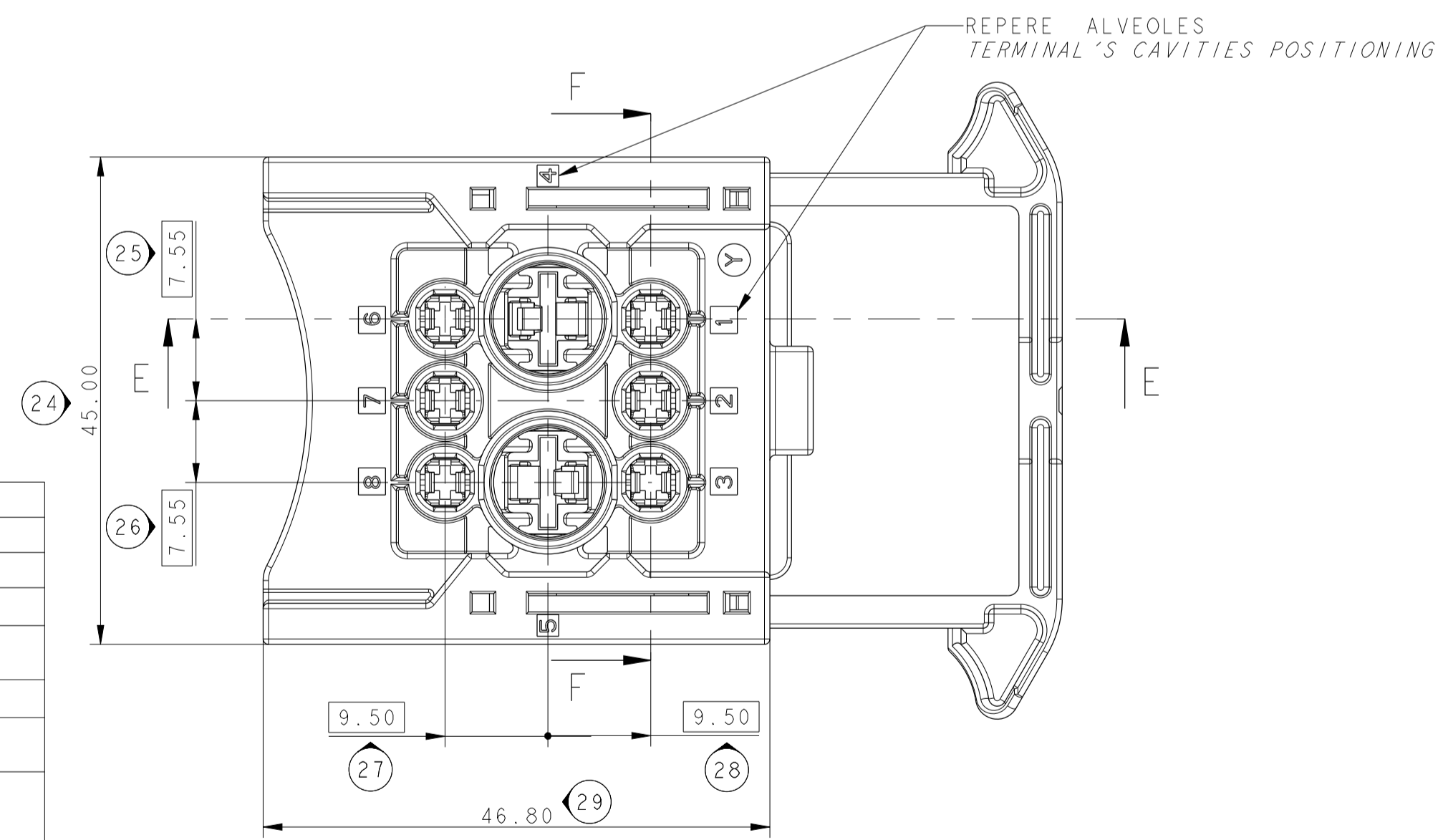
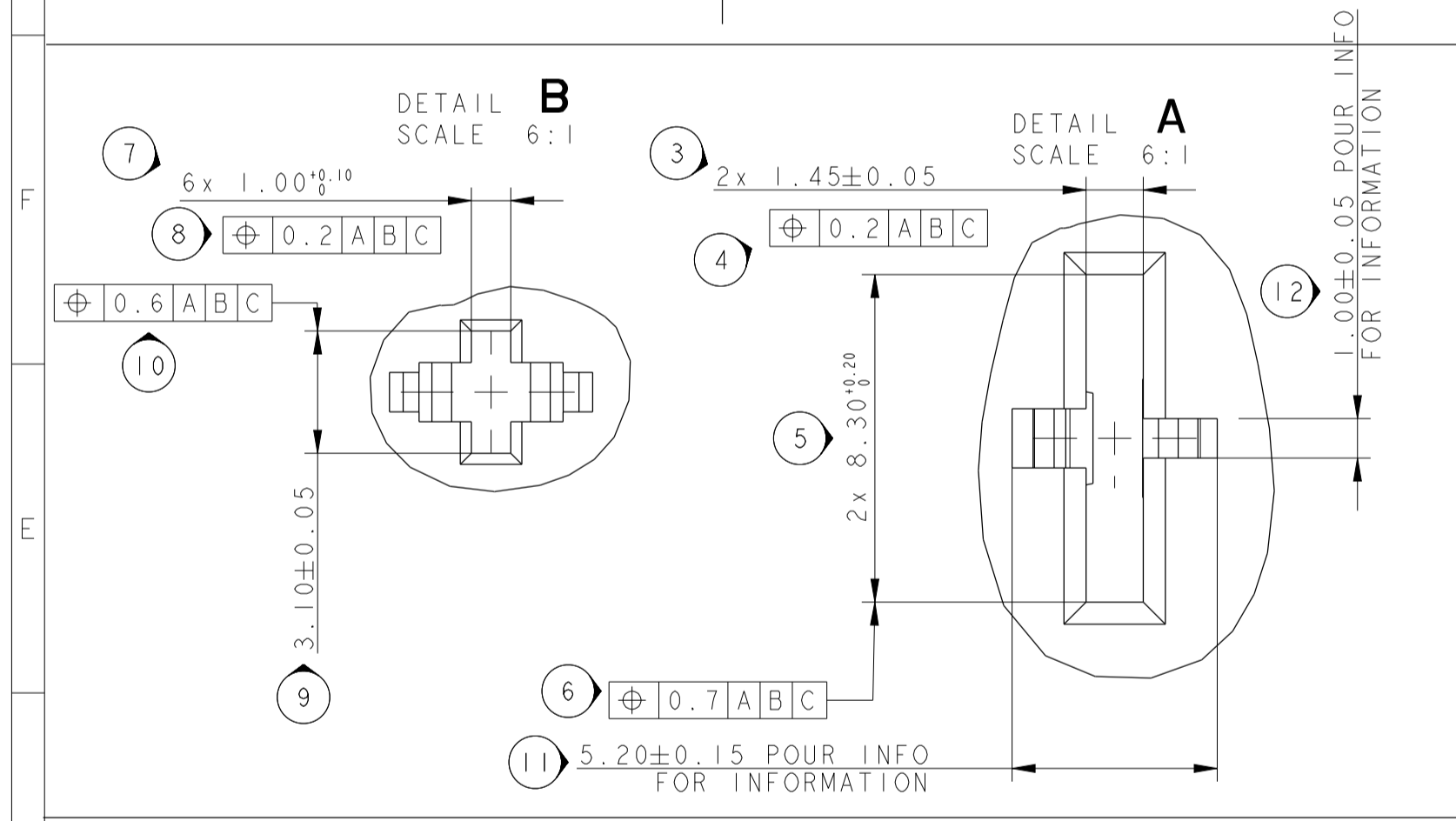
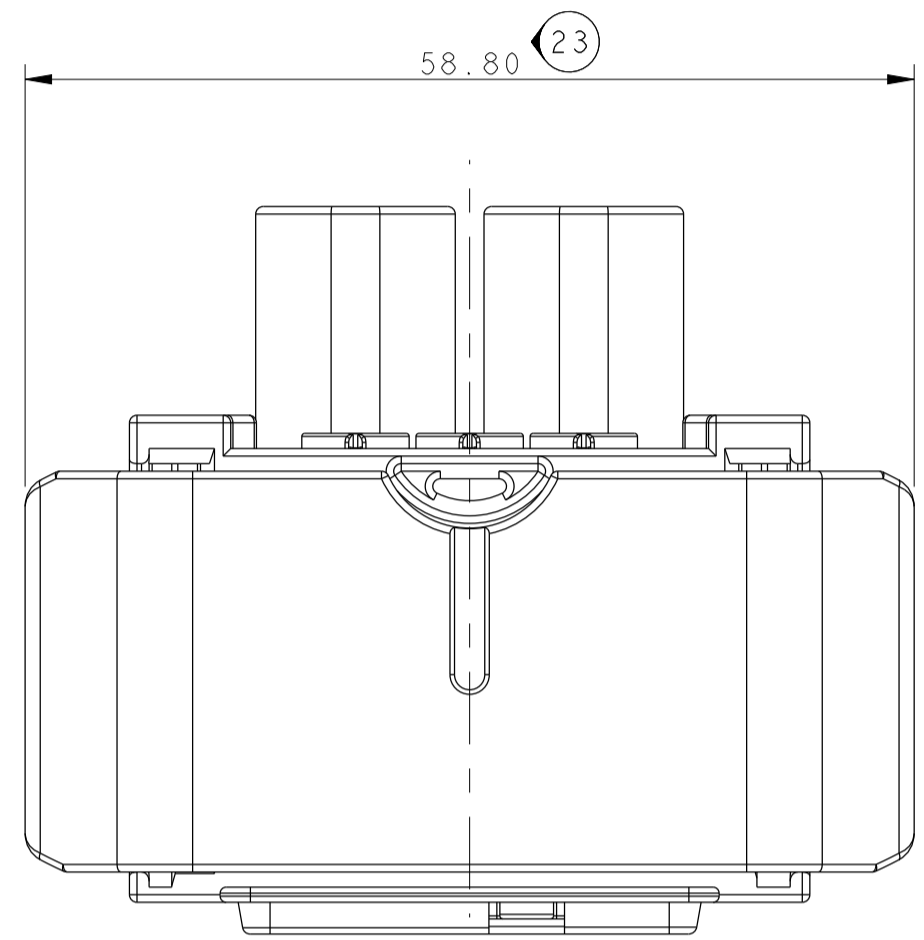
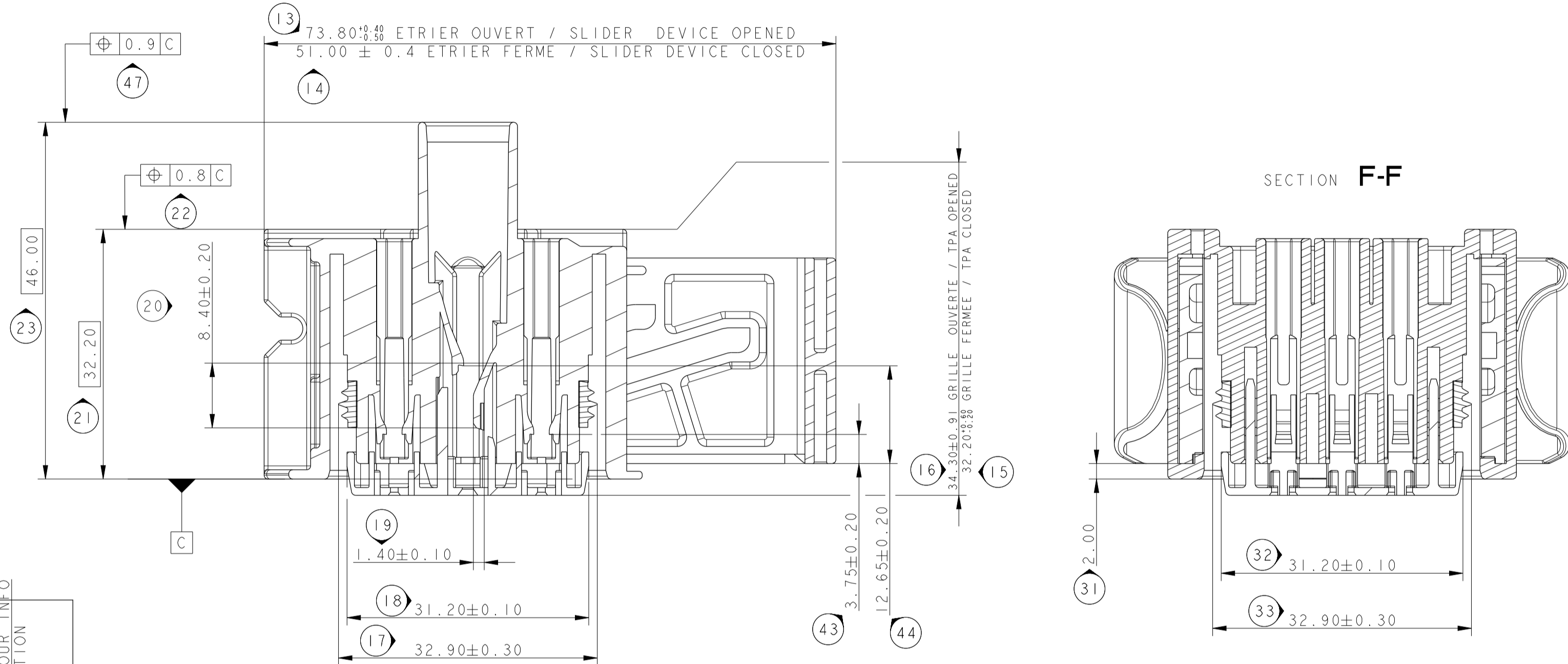
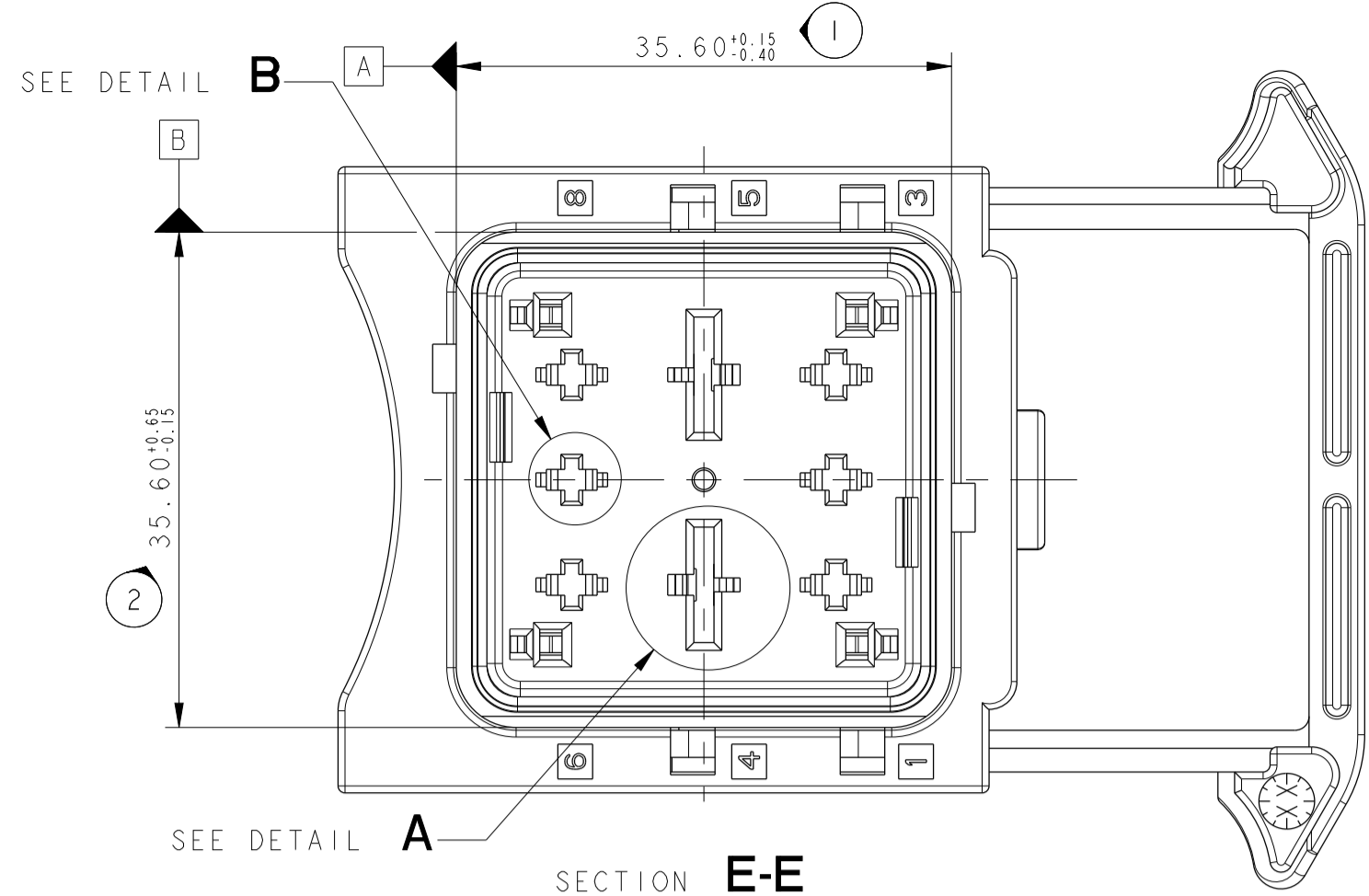


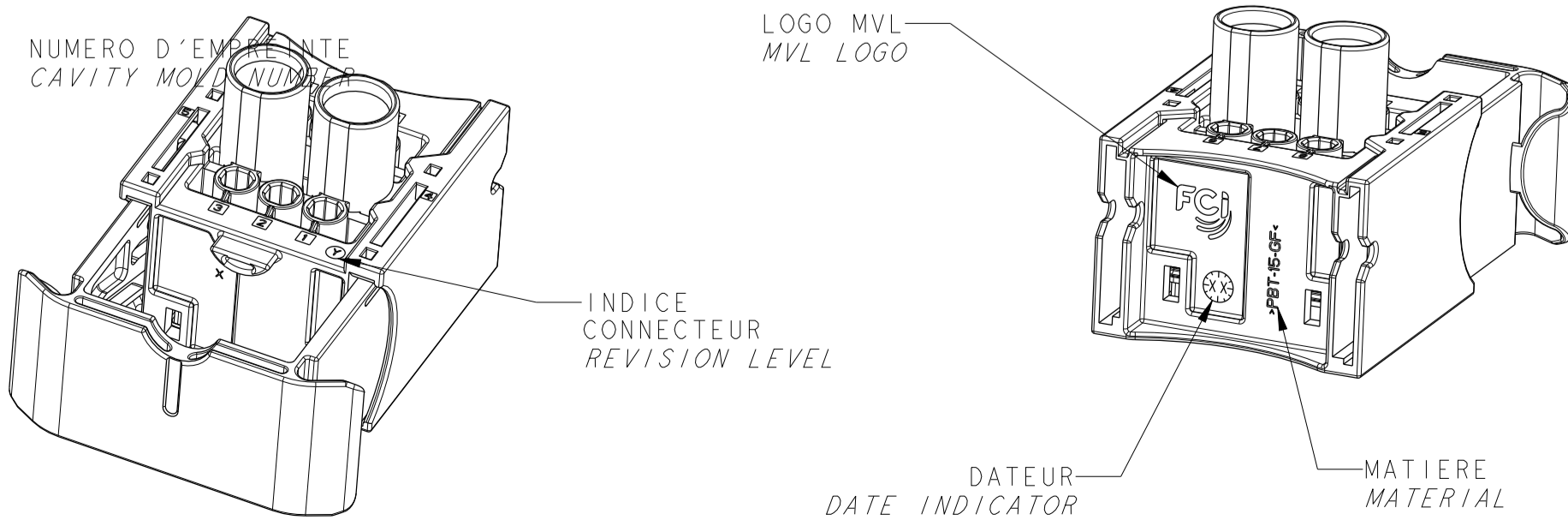
NOTA	SPECIFICATIONS
1	CONNECTEUR SUIVANT STE 96 432 578 99 CONNECTOR ACCORDING TO STE 96 432 578 99
2	ALVEOLE 2.8mm SUIVANT STE 96 301 961 99 TERMINAL CAVITY 2.8mm ACCORDING TO STE 96 301 961 99
3	ALVEOLE 8mm SUIVANT STE 96 417 535 99, SAUF COTES INDIQUEES SUR COUPE EE TERMINAL CAVITY 8mm ACCORDING TO STE 96 417 535 99, EXCEPT COTATION ON SECTION E-E
4	CONDITIONNEMENT SUIVANT NORME E 7703 150 G PACKAGING ACCORDING TO STANDARD E 7703 150 G
5	MASSE DU PRODUIT LIVRE = 55 g DELIVERY CONNECTOR WEIGHT = 55g
6	REF PLAN D'INTERFACE FCI : 240FT0115 INTERFACE DRAWING REF FCI: 240FT0115
7	PRECONISATION D'UTILISATION / USER'S MANUAL REF FCI / FCI'S REF: PU 038
8	CONTACT ET JUF COMPATIBLES A L'ALVEOLE NGI TERMINAL AND SINGLE WIRE SEAL COMPATIBLE WITH NGI CAVITY



CODAGES / KEYS		
TOLERANCE ±0.1		
COULEUR / COLOUR	NOIR / BLACK	GRIS / GREY
MVL	INDICE PIECE / PART LEVEL REFERENCE PORTE-CLIPS / FEMALE CONNECTOR PART NUMBER	E 240PC089S0015
DELPHI	INDICE PIECE / PART LEVEL REFERENCE PORTE-CLIPS / FEMALE CONNECTOR PART NUMBER	01 13949302

VUE SUIVANT A / VIEW A	34 14.05	36 9.05
	24.05 (35)	20.05 (37)

DESIGNATION / DESCRIPTION	REF MVL / MVL P/N	MATIERE / MATERIAL	COULEUR / COLOR
ISOLANT 8 VOIES / 8 WAY HOUSING	240 I 0 014	PBT 15% GF (38)	NOIR / BLACK
ISOLANT 8 VOIES / 8 WAY HOUSING	240 I 8 014	PBT 15% GF (39)	GRIS / GREY
ETRIER / SLIDER	240 M 6 020	PA 6.6 30% GF (40)	BLEU / BLUE
GRILLE / TPA	240 M 4 017	PBT 15% GF (41)	JAUNE / YELLOW
JOINT INTERFACIAL / INTERFACIAL SEAL	240 M 019	SILICONE (42)	VERT / GREEN



ECN NO. POSITION			CHANG. DESCRIPTION	
			DELPHI P/N ADDED	
PROJECT SPEC.	PACKAGING SPEC.	APPLICATION SPEC.	COPYRIGHT DELPHI CORPORATION AND/OR ITS AFFILIATES. ALL RIGHTS RESERVED. REVISED	
			THIS DRAWING IS THE PROPERTY OF DELPHI CORPORATION AND CONTAINS DELPHI CONFIDENTIAL INFORMATION. ITS REPRODUCTION, DISTRIBUTION AND SALE IS STRICTLY PROHIBITED WITHOUT EXPRESS AUTHORIZATION. IT IS NOT TO BE USED FOR ANY OTHER PURPOSES WITHOUT THE WRITTEN PERMISSION OF DELPHI CORPORATION. LE PLAN EST LA PROPRIETE DE DELPHI CORPORATION ET CONTIENT DES INFORMATIONS CONFIDENTIELLES. SA REPRODUCTION, SA DISTRIBUTION ET SA UTILISATION SE FONT SANS AUTORIZATION ECRITE. EST PROHIBEE.	
TOLERANCES ±0.2 ±0.1	MATERIAL: SEE PART LIST	STATE OF SURFACE	DELPHI	
CONTRACT NO. / COTE PROJET	COLOR: SEE KEYS TABLE	FINISH	DELPHI PACKARD ELECTRICAL/ELECTRONIC ARCHITECTURE	
DO NOT MEASURE DRAWING / NE PAS MESURER LE COTEZ	ECO EXP: C44	DATE	EPCOR	
CREATED BY	NAME	TITLE	DRAWING NUMBER	
MODIFIED BY	DATE	DESIGNATION	REF. PLAN	
APPROVED BY	DATE	DESIGNATION	PCC0736942	
			STATE	
			PART NUMBER	
			REV.	
			IND.	
FILE NAME	DOCUMENT UNDER THIS CONTRACT/DOCUMENT CONTRACT UNDER THIS		SCALE: 2:1	
			See Table	

Mouser Electronics

Authorized Distributor

Click to View Pricing, Inventory, Delivery & Lifecycle Information:

[Aptiv:](#)

[240PC089S0015](#) [240PC089S0015-B](#)