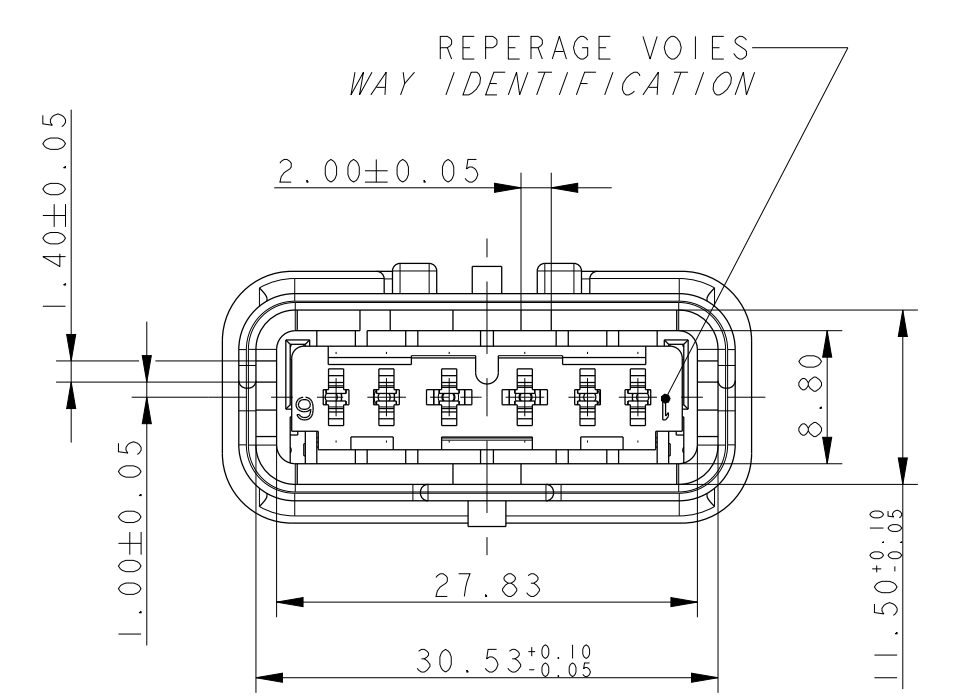
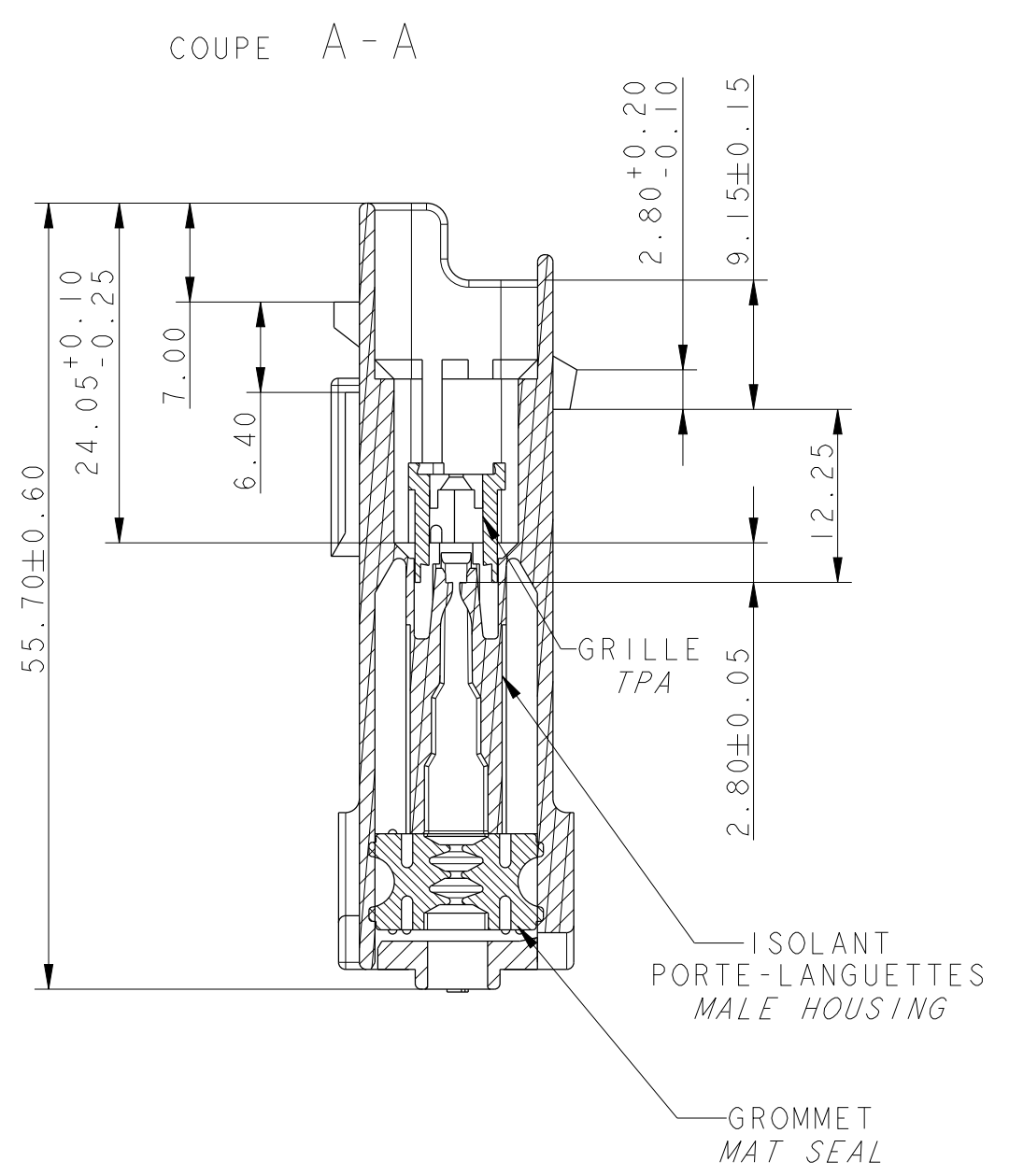
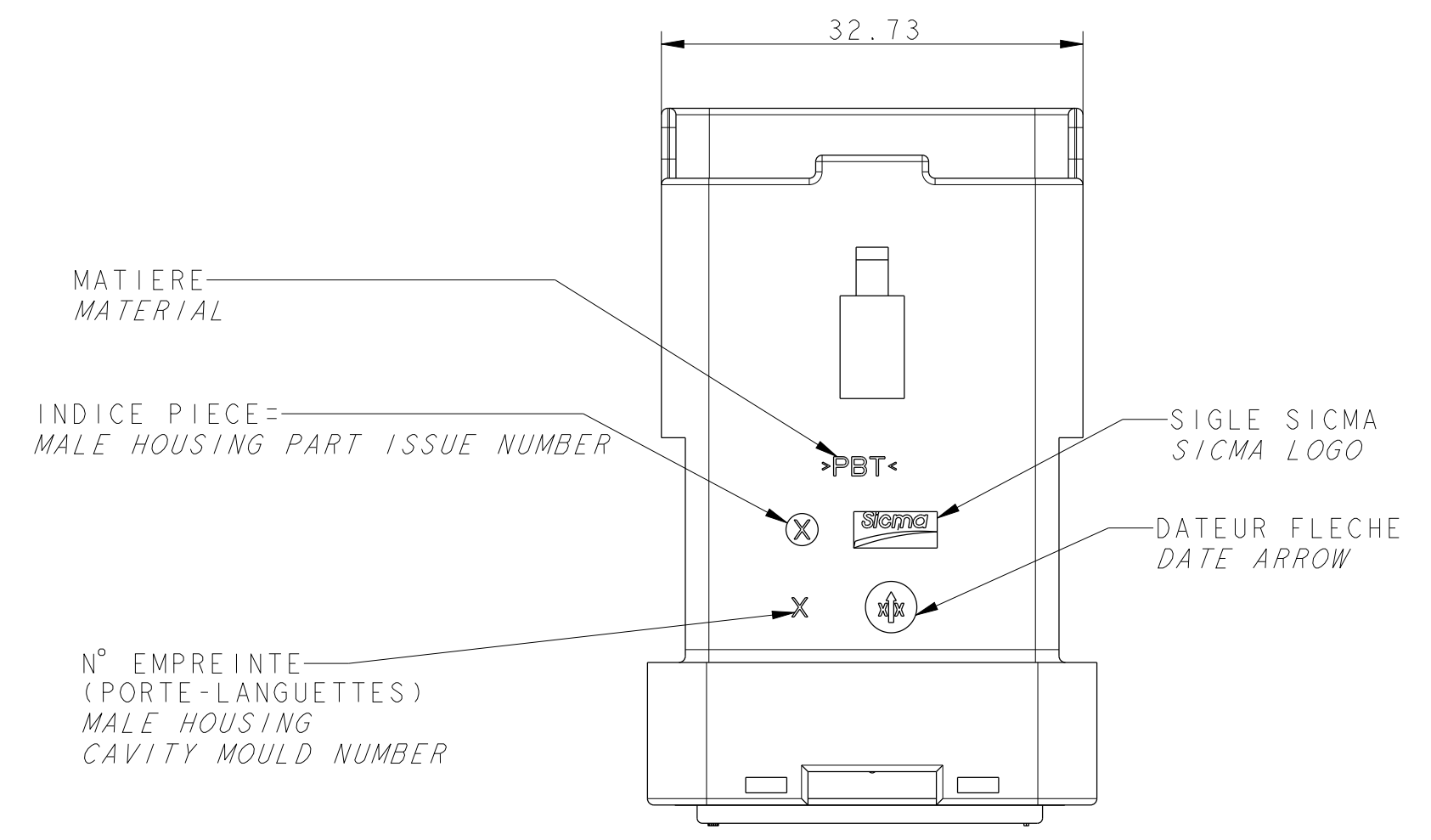
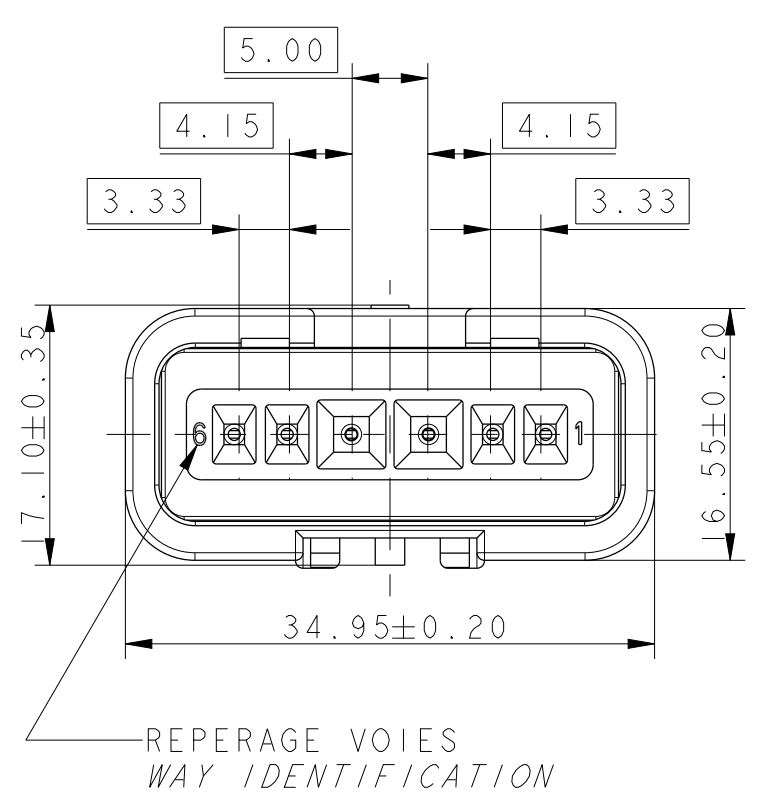
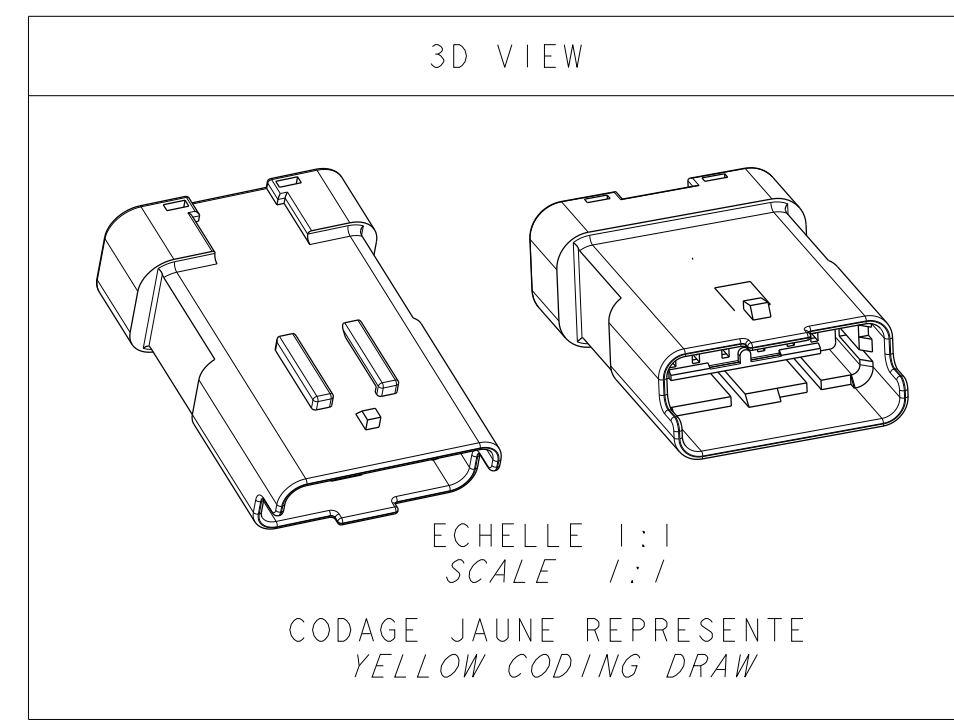


NOTA	SPECIFICATIONS
1	CONNECTEUR DOIT ETRE CONFORME AU CDC :96 238 404 99 FEMALE CONNECTOR ACCORDING TO SPECIFICATION PSA :96 238 404 99
2	CONNECTEUR SUIVANT: FEMALE CONNECTOR ACCORDING TO -CLASSE DE TEMPERATURE T3 SELON B217050 REV A TEMPERATURE CLASS T3 ACCORDING TO B217050 REV A -CLASSE DE VIBRATION MOTEUR SELON B217050 REV A ENGINE VIBRATOR CLASS ACCORDING TO B217050 REV A -CLASSE ETANCHEITE 2 SELON B217050 REV A SEALING CLASS 2 ACCORDING TO B217050 REV A
3	PRECONISATION D'UTILISATION / USER MANUAL REF MVL: PU 008 / MVL'S REFERENCE: PU 008
4	ALVEOLE SUIVANT STE: 96 289 050 99 CAVITY ACCORDING TO: STE: 96 289 050 99
5	CONNECTEUR ET POSITION ALVEOLE CONFORMES AU PLAN D'INTERFACE 211FT0523 FEMALE CONNECTOR AND CAVITY'S POSITION ACCORDING TO: DRAWING INTERFACE 211FT0523
6	DIAMETRE DE L'ISOLANT DES FILS WIRE INSULATION DIAMETER 1.5 :MINI=1.40 :MAXI=2.80
7	MASSE DU PRODUIT LIVRABLE : 15g DELIVERY CONNECTOR WEIGHT : 15g
8	CHARNIERE DE PLAQUETTE ARRIERE ABSENTE OU CASSEE ADMISE NO WAFER HINGE OR WAFER HINGE BROKEN ALLOWED
9	DEFAUTS D'ASPECT SUR ZONES NON FONCTIONNELLES ADMIS VISUAL DEFECTS ON NO FUNCTIONAL AREAS ALLOWED
10	ACCROCHAGE SELON STE 96 153 261 99 FIXING ACCORDING TO STE. 96.153.261 99



ISOLANT PORTE-LANGUETTES MALE HOUSING	211 I 1 051	PBT NON CHARGE PBT: 0% GF	MARRON BROWN
	211 I 5 051		VERT GREEN
	211 I 4 051		JAUNE YELLOW
GRILLE TPA	211 M 4 050	PBT: 15% FV PBT: 15% GF	JAUNE YELLOW
GROMMET MAT SEAL	211 M 110	SILICONE 30Sh AUTO-LUBRIFIE	VERT GREEN
DESIGNATION DESCRIPTION	REF. MVL MVL'S REFERENCE	MATIERE MATERIAL	COULEUR COLOUR



6V 1.5 / 6W 1.5				
			VUE F VIEW F TOLERANCES ±0.10	
MARRON / BROWN	JAUNE / YELLOW	VERT / GREEN	COULEUR COLOUR	
211 PL 06 2S 1 049	211 PL 06 2S 4 049	211 PL 06 2S 5 049	PART NUMBER	MVL
A	A	A	PART REVISION	
13606820	13642394	13716617	PART NUMBER	DELPHI
01	01		PART REVISION	

ECN-NO. NUMBER ECN	POSITION POSITION	CHANGE DESCRIPTION MODIFICATION
-	-	DELPHI P/N ADDED
PROJECT SPEC. SPECIF. PRODUIT PACKAGING SPEC. SPECIF. EMBALLAGE APPLICATION SPEC. SPECIF. APPLICATION COPYRIGHT DELPHI CORPORATION AND/OR ITS AFFILIATES. ALL RIGHTS RESERVED. REVISED THIS DRAWING IS THE PROPERTY OF DELPHI CORPORATION AND CONTAINS DELPHI CONFIDENTIAL INFORMATION. THE REPRODUCTION, DISTRIBUTION AND RELEASE OF THIS DOCUMENT OR ITS CONTENTS WITHOUT THE WRITTEN PERMISSION OF DELPHI CORPORATION IS PROHIBITED.		
TOLERANCES TOLERANCES	±0.1 ±2*	MATERIAL: SEE TABLE STATE DE SURFACE
CONTRIBUTOR N° / CONTRIBUTEUR N°	COLOUR: SEE TABLE	DELPHI ELECTRICAL/ELECTRONIC ARCHITECTURE EPHEON, FRANCE
DO NOT MEASURE DRAWING NE PAS MESURER LE DRESSAGE	TOOL NO. CODE M. C.	ISO PROJECTION PROJECTION ISO
DATE DATE	NAME NOM	TITLE TITRE
CREATED BY CREEVEUR	DATE DATE	DESIGNATION DESIGNATION
MODIFIED BY MODIFIE	DATE DATE	DESIGNATION DESIGNATION
APPROVED BY APPROUVE	DATE DATE	DESIGNATION DESIGNATION
FILE NAME PCC0679449	FILE NO. NUMERO FICHIER	TEXT NO. NUMERO TEXTE

DRAWING NUMBER REF. PLAN	REV. IND.	APPROVAL LEVEL NIV. D'APPROBATION
PCC0679449	B	
STATE ETAT	REV. IND.	SHEET FEUILLE
PART NUMBER REF. ARTICULE	REV. IND.	of 1 sur 1
SCALE ECHELLE	REV. IND.	2:1

Mouser Electronics

Authorized Distributor

Click to View Pricing, Inventory, Delivery & Lifecycle Information:

[Aptiv:](#)

[211PL062S1049](#) [211PL062S4049](#) [211PL062S5049](#) [211PL062S4049-B](#) [211PL062S1049-B](#)