

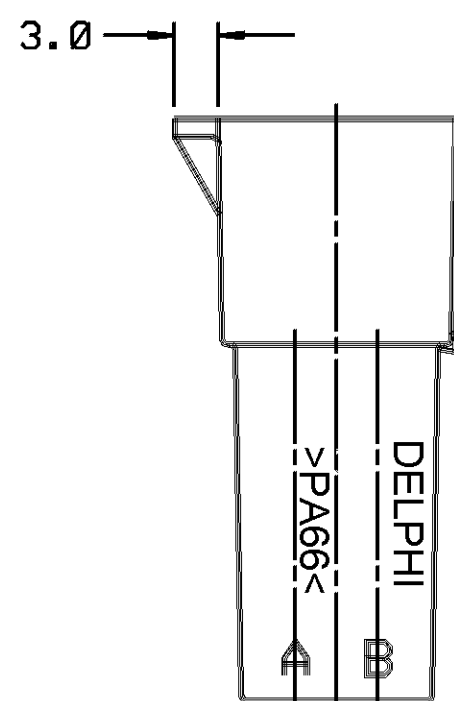
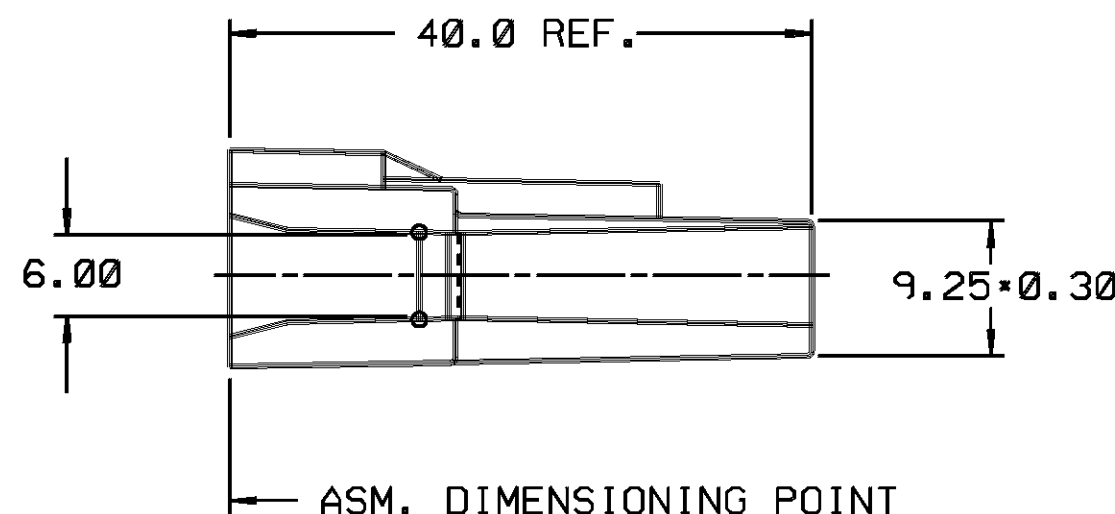
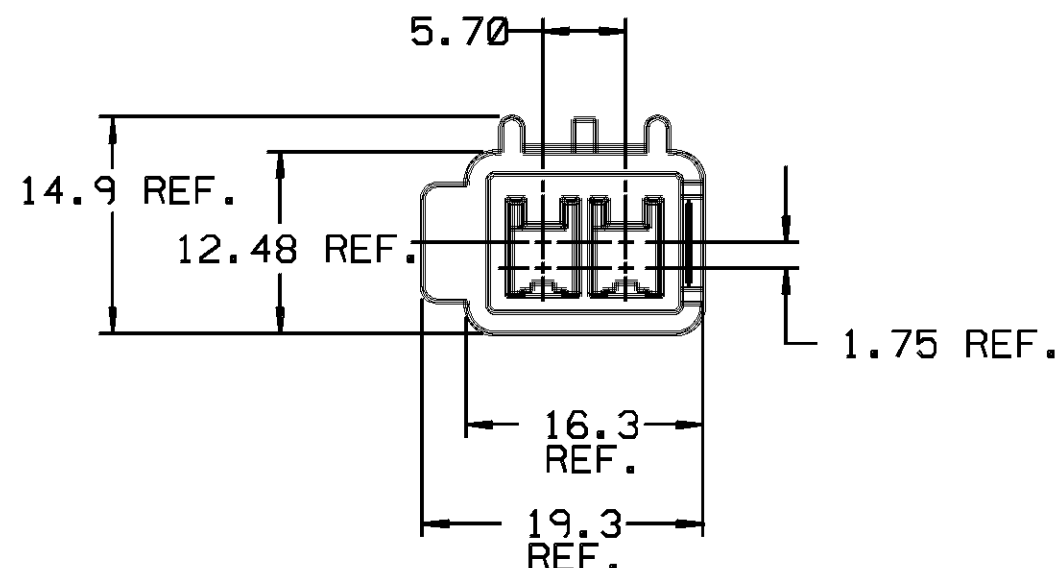
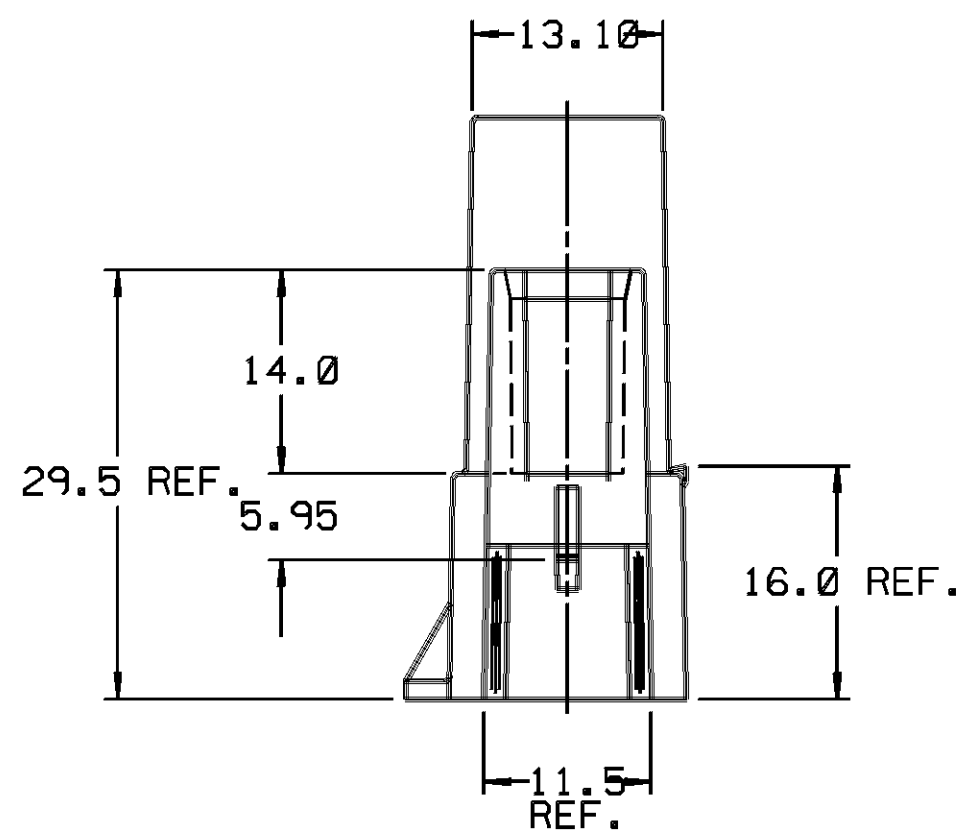
D

THIS DRAWING AND DESIGN HEREON CONSTITUTES A PROPRIETARY DESIGN OF PACKARD ELECTRIC DIVISION AND IS NOT TO BE DUPLICATED OR REPRODUCED WITHOUT AUTHORITY OF PACKARD ELECTRIC DIVISION.

DO NOT SCALE

DATE	SYM	REVISION RECORD	AUTHORITY	DR	CK
30MY89	A	DRAWING COMPLETED			
26JN89	A1	REDRAWN WITH NO PHYSICAL CHANGE	890012	JC	JC
17AU89	B	REVISED TERMINAL CAVITY	129106	JR	RHP
10MY90	B1	WAS PE019419 & RELEASED	900005	DKS	DKS
15AU90	C	REVISION LEVEL ADVANCED	136924	CDH	CDH
24JA91	D	REVERSED CAVITY I.D. LETTERS	139894	WLS	SC
20SE02	05	REVISED MAT'L SPEC AND ADDED NOTES (2 PLCS)	231003	OG	ER

PART NO. 1211 0139



- NOTES** —
1. DIMENSIONS ARE TO FACE OF SHOWN, UNLESS OTHERWISE INDICATED.
 2. CAVITIES TO ACCEPT 12066337 TERMINAL OR EQUIVALENT.
 3. MAX. INSULATION CRIMP MUST BE LESS THAN 4.35 HIGH AND 4.2 WIDE.
 4. MAX. CABLE O.D. MUST BE LESS THAN 4.2.
 5. MATING CONNECTOR 12092420 OR EQUIVALENT.
 6. SEALING CODE 0.
 7. TERMINAL POSITION ASSURANCE FEATURE IS ACHIEVED BY USE OF PULL TO SEAT TERMINAL DESIGN.
 8. THIS PART DOES NOT HAVE A CONNECTOR POSITION ASSURANCE FEATURE.
 9. THIS PART IS DESIGNED FOR USE IN ALLISON ATEC II TRANSMISSIONS.
 10. DIMENSIONS MARKED "REF." ARE FOR REFERENCE ONLY AND NO TOLERANCE LIMITS ARE ESTABLISHED.
 11. (2.3)X(0.1) RAISED DELPHI CORPORATE BRAND TO BE LOCATED ON ANY EXTERIOR SURFACE, PREFERABLY VISIBLE AT FINAL ASSEMBLY. OPTIONAL CONSTRUCTION TO BE "PED" OR NO LOGO.
 12. MATERIAL RECYCLING CODE >PA66< PER SAE J1344. (2.3)X(0.1) RAISED CHARACTERS AS SHOWN TO BE LOCATED ON ANY EXTERIOR SURFACE. OPTIONAL CONSTRUCTION TO BE NO MATERIAL RECYCLING CODE.

PACKARD ELECTRIC DIVISION
GENERAL MOTORS CORPORATION
WARREN, OHIO

PED / MICROSTATION		FILE SPEC: ****USER**** DGN#SPECIFICATION***** ****SYTIME*****
THIRD ANGLE PROJECTION		METRIC DIMENSIONS ARE IN MILLIMETERS UNLESS OTHERWISE SPECIFIED.
CODE NO. 6900	TOLERANCE UNLESS OTHERWISE SPECIFIED DECIMAL: ANGULAR ± 2° ONE PLACE ± 0.3 TWO PLACE ± 0.15	
DWG. DATE: 30MY89	SCALE: NONE	DR. J. COLDSNOW 26JN89
EST. NO.	CK. J. COLDSNOW	DATE 26JN89
REFERENCE NO. 12110139 'E' SIZE	APPR. R.H. PARKHURS	DATE 11MY90
	APPR. R.E. DAUM	DATE 11MY90
MATERIAL SPEC. M3592012 PA66 HS IM GRAY LT		
NAME CONN 2M M/P 280 P2S		
PART NO. 1211 0139	SIZE C	

Mouser Electronics

Authorized Distributor

Click to View Pricing, Inventory, Delivery & Lifecycle Information:

[Aptiv:](#)

[12110139](#)