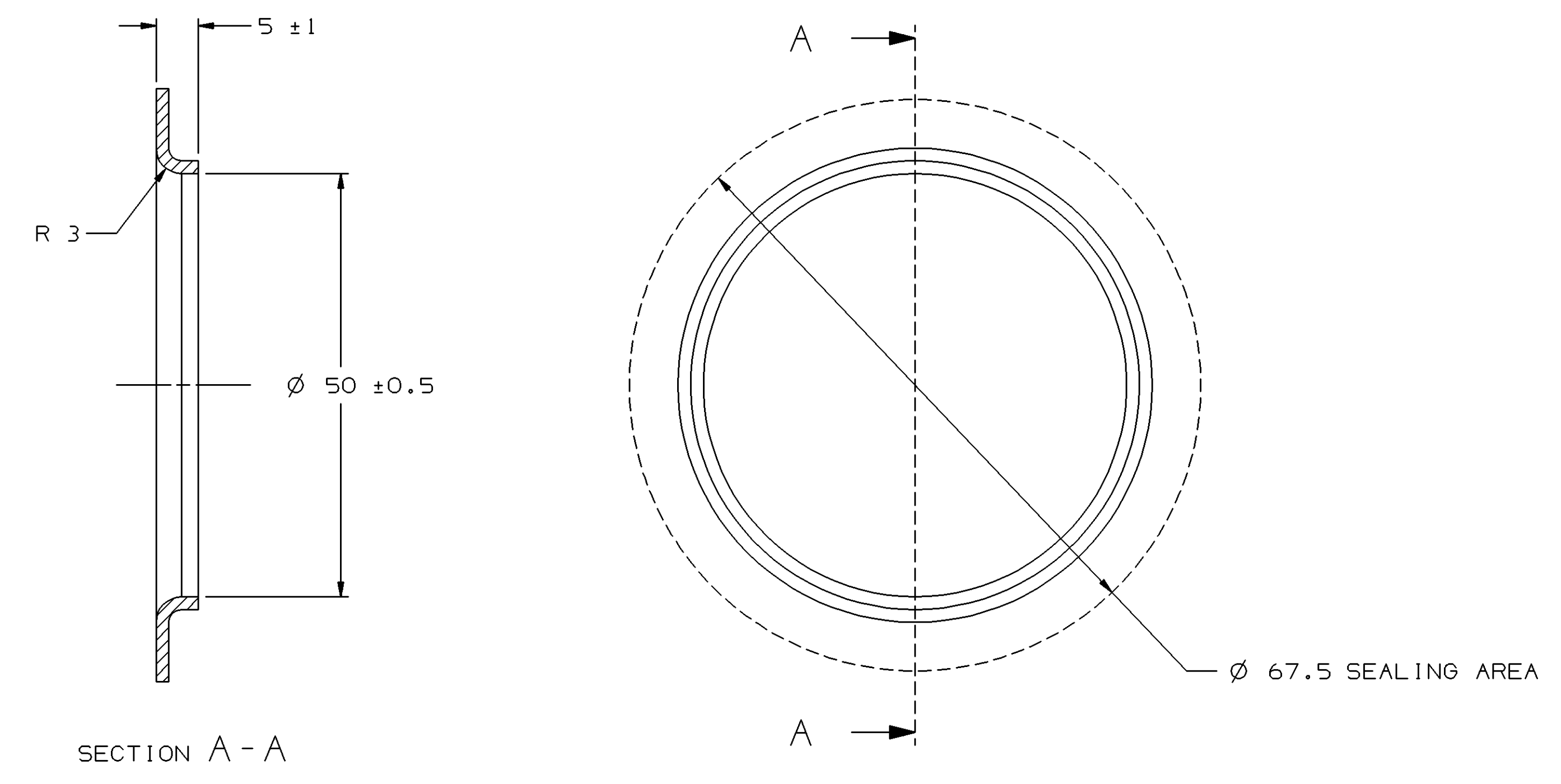
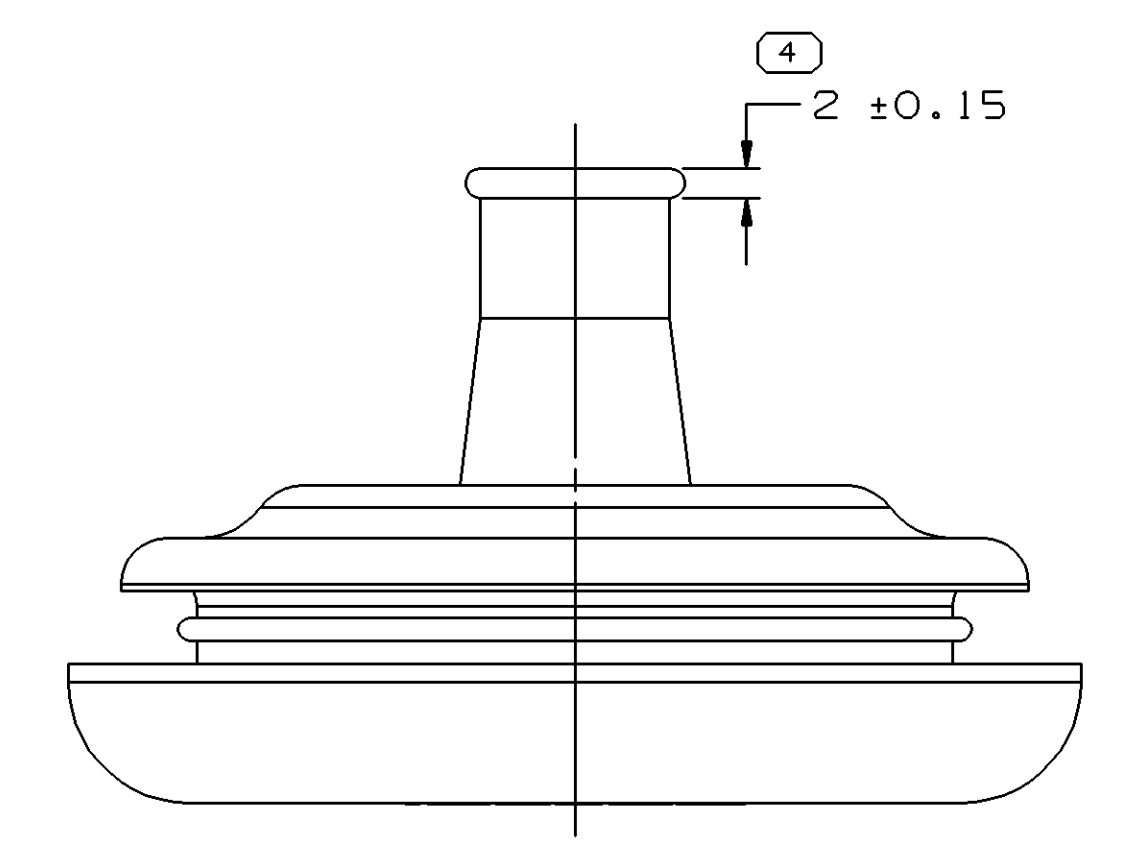
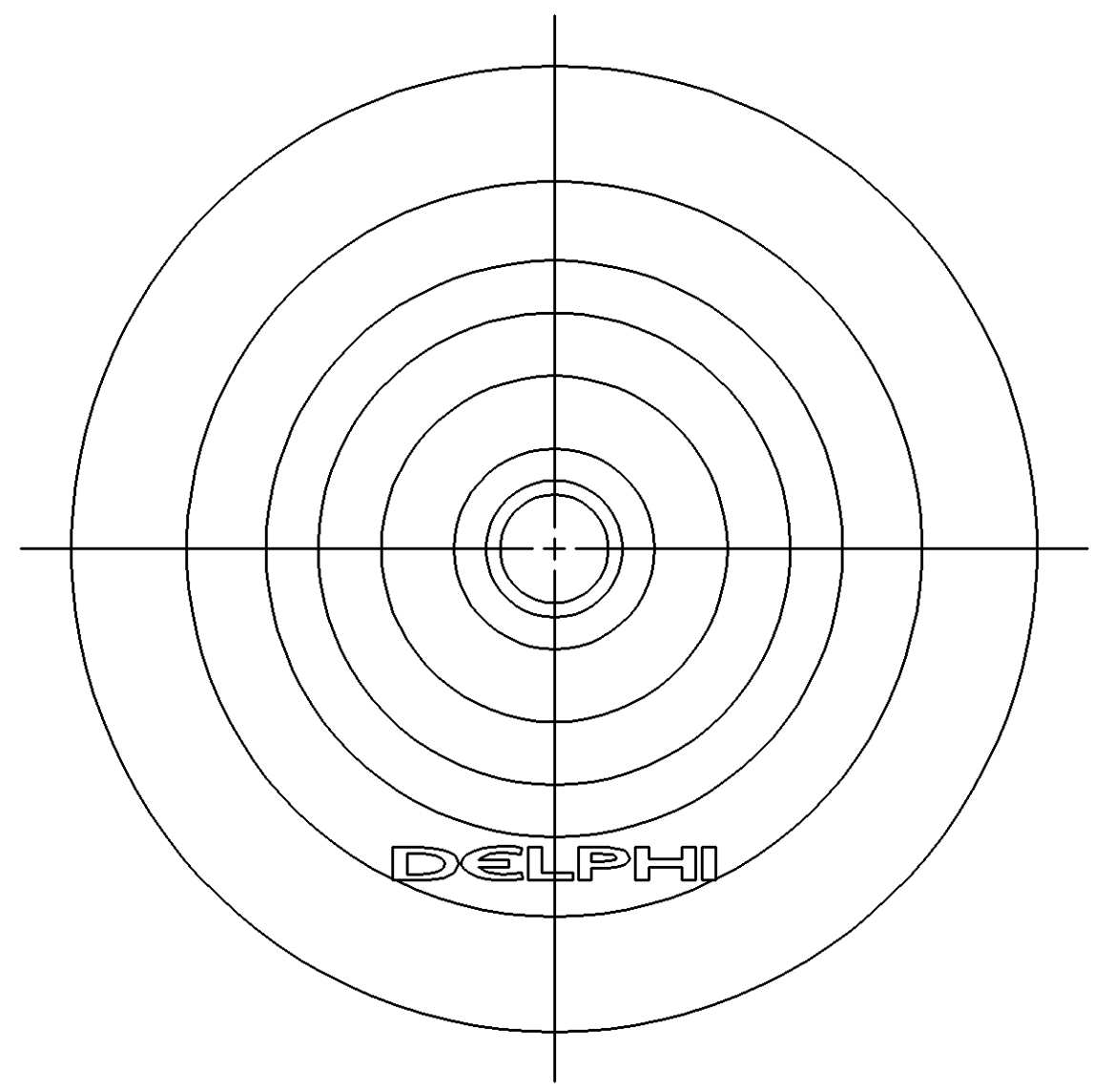
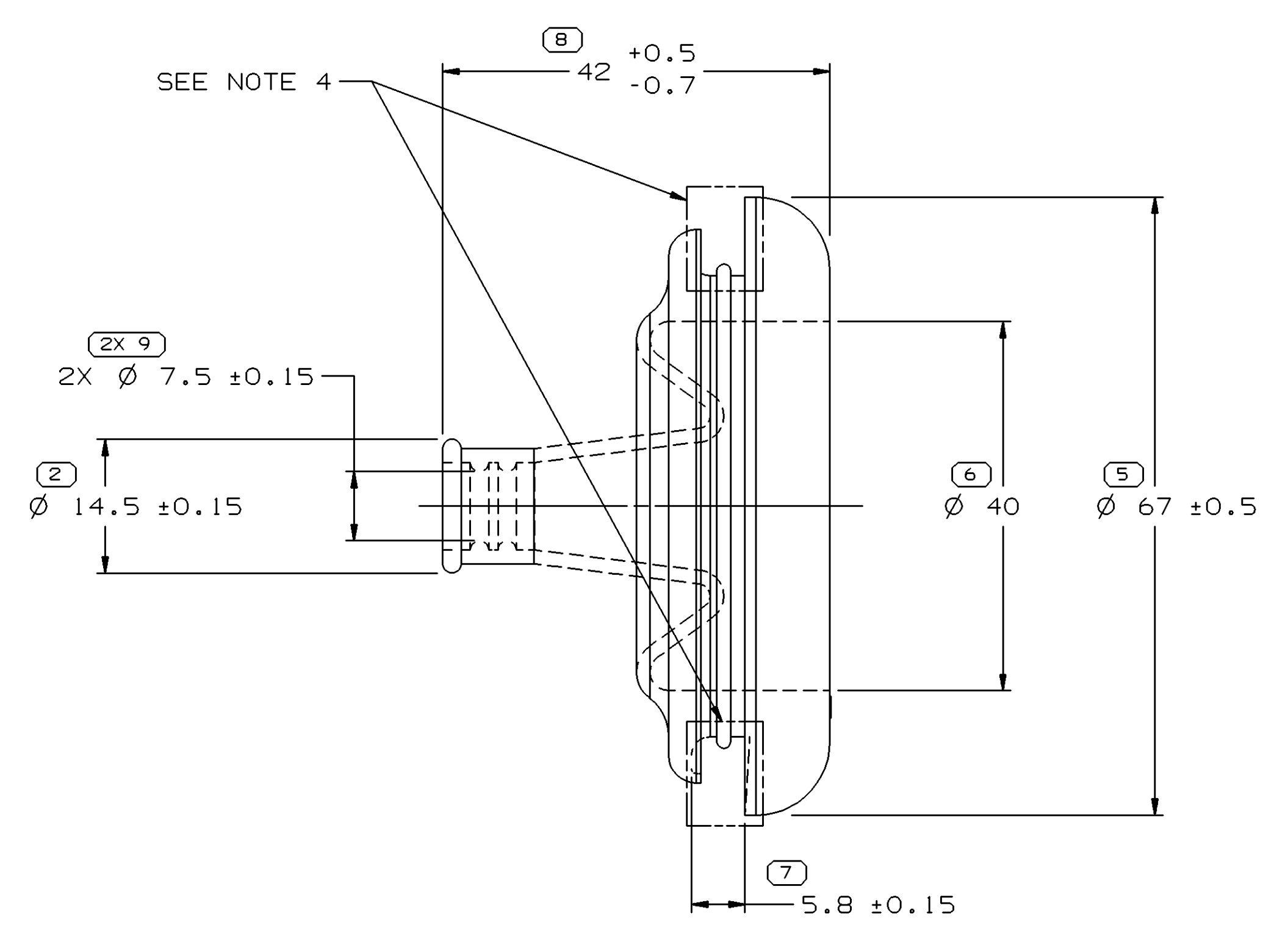
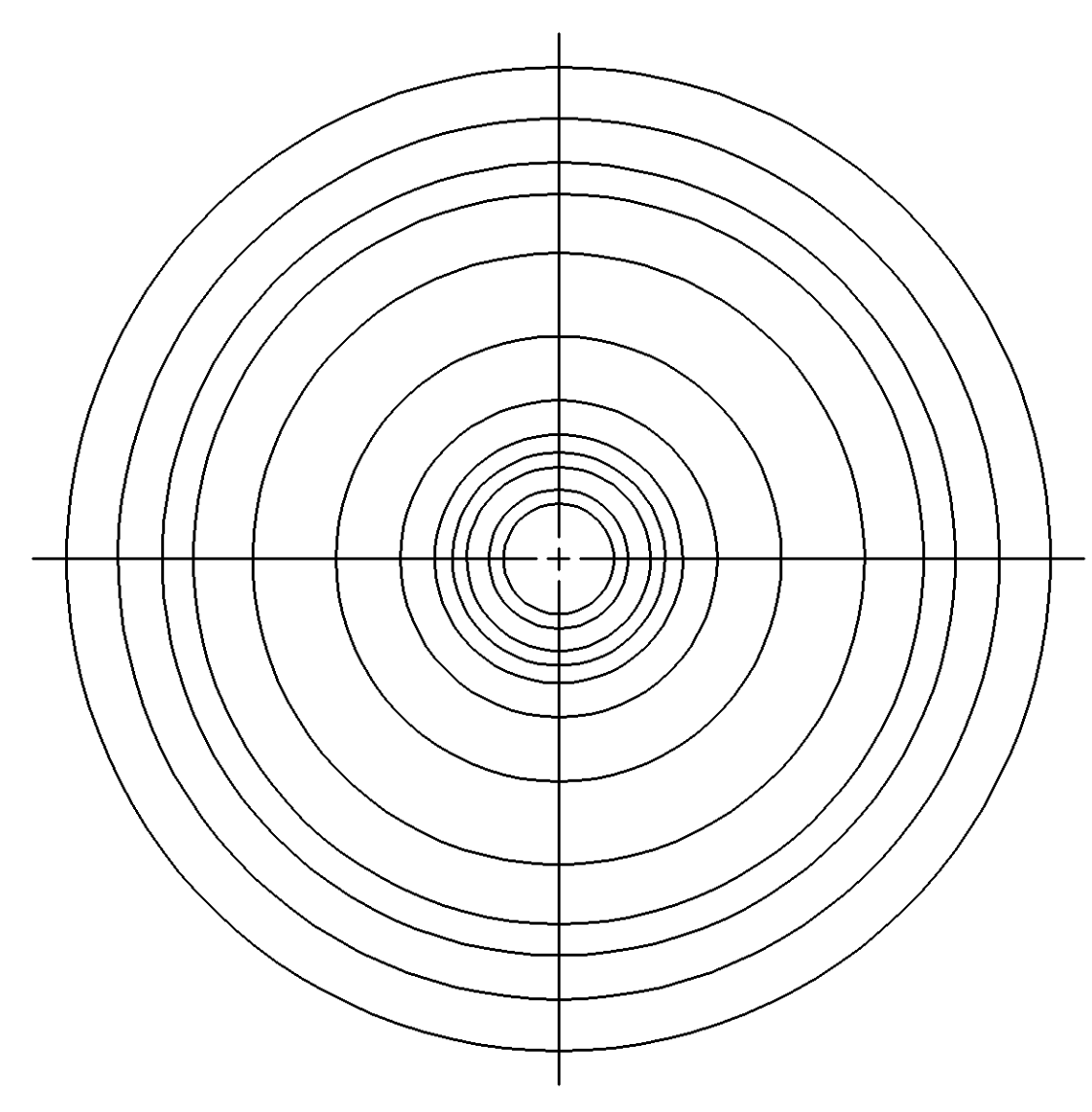
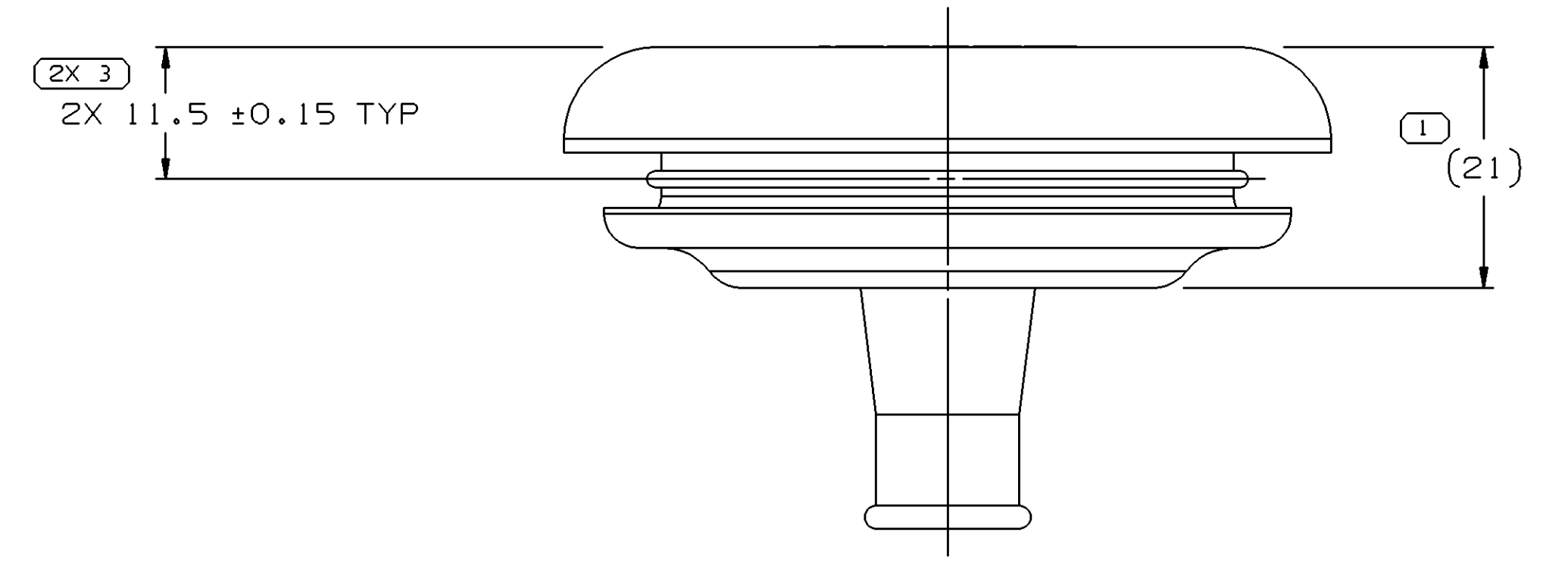


SYMBOL DEFINITION		TOTAL NO OF INSPECTIONS REQUIRED	
A DIMENSION WITHOUT AN INSPECTION REPORT SYMBOL DOES NOT REQUIRE INSPECTION. IT MAY BE CONTROLLED ON THE INDIVIDUAL COMPONENT DRAWING.		11	
	LAST NO. USED	9	

MISSING SYMBOLS					REVISION HISTORY			AUTH	DR	APVD	APVD
DATE	STG	REV	N/P	CHG	ZONE						
01AP03	R	A2	-	-		REDRAWN TO PD & UPDATED PDM ATTRIBUTES	239112	RAO	RVP	JDY	
02FE05	R	A3	-	-		ADDED DIM #9; DIM B WAS PROCESS SENSITIVE	263966	END	END	J5	M
14MR05	R	A4	-	-		ADDED PROCESSING NOTES AND REVISED MATERIAL DESCRIPTION	265839	MDH	JAA	WLM	



MOUNTING HOLE DETAIL

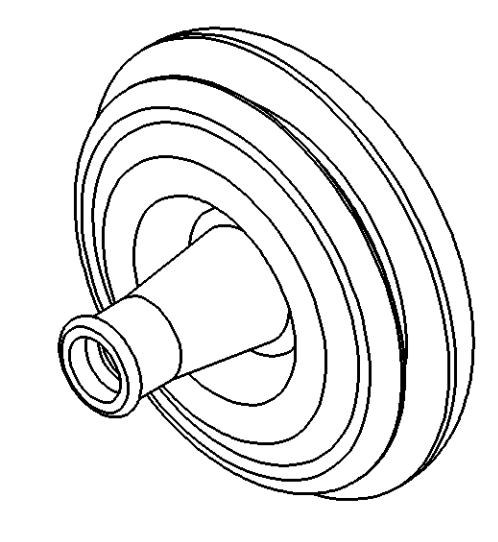
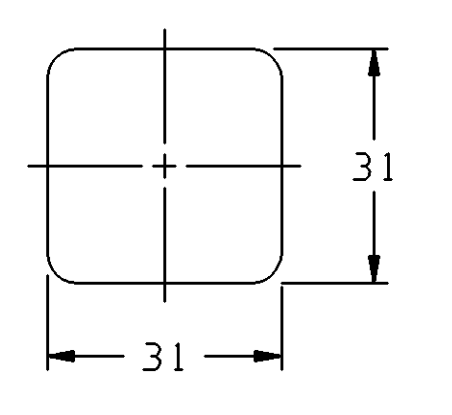


- NOTES
- UNLESS OTHERWISE SPECIFIED AND/OR INDICATED: DIMENSIONS ARE TO FACE OF VIEW SHOWN AND AUTOMATICALLY ROUNDED BY COMPUTER FOR INSPECTION (SEE MATH MODEL FOR PRECISE DIMENSIONS). FOR ALL OTHER DIMENSIONS NOT SHOWN BUT REQUIRED FOR TOOL BUILD, SEE MATH MODEL FOR PRECISE TOOL PATH DATA.
 - THIS PART IS NOT CONTROLLED FOR AUTOMATIC FEEDING.
 - PART IS SYMMETRICAL ABOUT CENTERLINES EXCEPT AS NOTED.
 - SEALING SURFACES MUST BE FREE OF SINKS, NFO'S, VOIDS, KNIT/FLOW LINES, ETC.
 - (2.31X(0.1)) RAISED DELPHI CORPORATE BRAND TO BE LOCATED ON ANY EXTERIOR SURFACE, PREFERABLY VISIBLE AT FINAL ASSEMBLY. OPTIONAL CONSTRUCTION TO BE "PED" OR NO LOGO.
 - THIS GROMMET TO BE USED WITH HARNESS BUNDLE SMOOTH TAPE WRAPPED USING 5 MIL TAPE HAVING NO SLITS ON EDGES.
 - THIS GROMMET FOR MIN HARNESS BUNDLE DIA OF 8.5

PROCESSING NOTES:

- THE FOLLOWING NUMBER IS TO BE PUT ON THE PRODUCT DRAWING AS THE MAXIMUM ALLOWABLE STRETCH DIMENSION: 31MM AS MEASURED IN THE FOLLOWING FASHION:

MAXIMUM ALLOWABLE DIMENSION OF STRETCHED GROMMET NECK WHEN USING A 4 BILL SPREADER



PART DRAWING		REFERENCE	
STYLE			
VOLUME (COP)	30,556		
DISTR CODE	D		
UNLESS OTHERWISE SPECIFIED			
THIS DOCUMENT IS IN ACCORDANCE WITH ASME Y14.5M-1994 AS AMENDED BY THE 2003 DIMENSIONING AND TOLERANCING ADDENDUM - 1997. ALL GEOMETRIC TOLERANCES AND RELATED DATUMS APPLY TO ALL DIMENSIONS UNLESS OTHERWISE SPECIFIED.			
MNCI DOES NOT APPLY WHEN RELATIONSHIP BETWEEN FEATURES IS ESTABLISHED BY ORIENTATION OR LOCATION TOLERANCES. SEPARATE POSITION DIALINDS MAY BE GAGED SEPARATELY, REGARDLESS OF DATUM REFERENCE.			
ALL DIMENSIONS ARE IN MILLIMETERS			
DIMENSIONAL RANGE (MM)		CHART C	
FROM	> 0	> 25	> 60
TO	<= 60	<= 80	> 80
TOLERANCE UNLESS OTHERWISE SPECIFIED			
±0.3 ±0.5 ±0.6 ±0.75			
ANGULAR TOLERANCE ±2°			
THIRD ANGLE PROJECTION		DO NOT SCALE	
USE MATH DATA		UNGRAPHS	

DELPHI
DELPHI PACKARD ELECTRIC SYSTEMS
WARREN, OH

DR	DATE
APVD1 R. AVILA	01AP03
APVD2 R. VILLANUEVA	01AP03
APVD3 J. DEL VAL	03AP03
APVD4	
APVD5	

SUBSTANCES OF CONCERN AND RECYCLED CONTENT PER DELPHI 10949001

MATERIAL: M4433002

DRAWING NAME: GROM

DRAWING NUMBER: 12092906

SIZE: A0 | SCALE: 2:1 | FRAME NO: 1 | SHEET NO: 1 | OF: 1 | STG: R | REV: A4

Mouser Electronics

Authorized Distributor

Click to View Pricing, Inventory, Delivery & Lifecycle Information:

[Aptiv:](#)

[12092906](#)