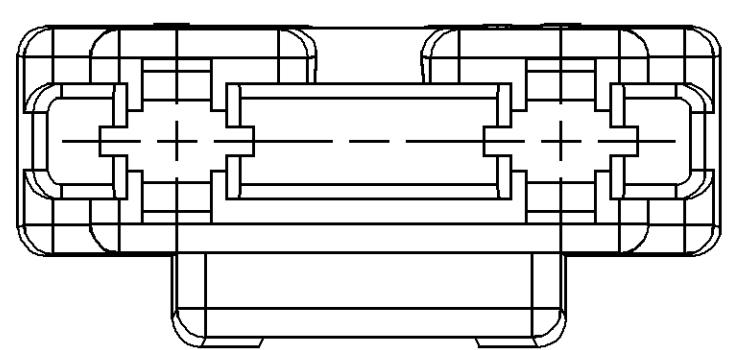
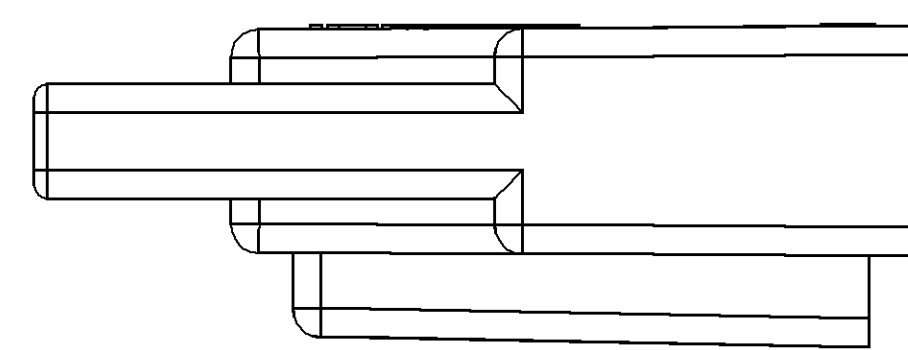
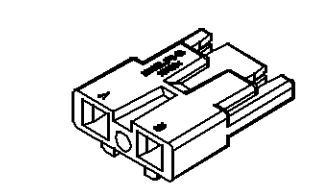


SYMBOL DEFINITION		TOTAL NO OF INSPECTIONS REQUIRED	
()	A DIMENSION WITHOUT AN INSPECTION REPORT SYMBOL DOES NOT REQUIRE INSPECTION. IT MAY BE CONTROLLED ON THE INDIVIDUAL COMPONENT DRAWING.	7	
()		7	

DWG STATUS				REVISION HISTORY				AUTH		DR		AP/VD	
DATE	STG	REV	W/P	CHG	ZONE								
16JUN03	R	A2	-	-		ADDED LOGO & NOTES (2 PLCS) AND REVISED MAT'L SPEC	241959	JYD	JYD	1	ET		
18DEC03	R	A3	-	-		.700±.01 DIM WAS .700	249942	TLD	TLD	RS			
13MR06	R	02	-	-		MAT'L SPEC WAS M3592002	278424	JOA	FRG	PYP			



- NOTES:
- UNLESS OTHERWISE SPECIFIED AND/OR INDICATED: DIMENSIONS ARE TO FACE OF VIEW SHOWN AND AUTOMATICALLY ROUNDED BY COMPUTER FOR INSPECTION (SEE MATH MODEL FOR PRECISE DIMENSIONS). FOR ALL OTHER DIMENSIONS NOT SHOWN BUT REQUIRED FOR TOOL BUILD, SEE MATH MODEL FOR PRECISE TOOL PATH DATA.
 - MATERIAL RECYCLING CODE PER ISO 11469. (.11)(.01) RAISED CHARACTERS AS SHOWN TO BE LOCATED ON ANY EXTERIOR SURFACE. OPTIONAL CONSTRUCTION TO BE NO MATERIAL RECYCLING CODE.
 - (.11)(.01) RAISED DELPHI CORPORATE BRAND TO BE LOCATED ON ANY EXTERIOR SURFACE, PREFERABLY VISIBLE AT FINAL ASSEMBLY. OPTIONAL CONSTRUCTION TO BE "PED" OR NO LOGO.
 - THIS PART MATES WITH 8900444



DWG TYPE PART DRAWING	
STYLE	
VOLUME (QTY) 1,574	DISTR CODE D
UNLESS OTHERWISE SPECIFIED	
THIS DOCUMENT IS IN ACCORDANCE WITH ASME Y14.5M-1994 AS MODIFIED BY THE IN CHARGE, DIMENSIONING AND TOLERANCE PRACTICE (DTP). ALL DIMENSIONS UNLESS OTHERWISE SPECIFIED ARE IN INCHES. UNLESS OTHERWISE SPECIFIED, DIMENSIONS ARE TO FACE OF VIEW SHOWN AND AUTOMATICALLY ROUNDED BY COMPUTER FOR INSPECTION (SEE MATH MODEL FOR PRECISE DIMENSIONS). FOR ALL OTHER DIMENSIONS NOT SHOWN BUT REQUIRED FOR TOOL BUILD, SEE MATH MODEL FOR PRECISE TOOL PATH DATA.	
DIMENSIONS ENCLOSED IN () INDICATE REFERENCE DIMENSIONS AND NO TOLERANCE LIMITS ARE ESTABLISHED	
DIMENSIONAL RANGE (IN)	CHART (H)
FROM 0	>.750 >1.250 >2.750
TO .750 1.250 2.750 4.000	
TOLERANCE UNLESS OTHERWISE SPECIFIED	
±.005 ±.002 ±.001 ±.001	ANGULAR TOLERANCE ±.2°
THIRD ANGLE PROJECTION	DO NOT SCALE
USE MATH DATA	UNIGRAPHICS

DELPHI	
DELPHI PACKARD ELECTRIC SYSTEMS WARREN, OH	
DR	DATE
APVD1 T. MUDREY	08JL69
APVD2 J. LIST	08JL69
APVD3 J. LIST	08JL69
APVD4	
APVD5	
SUBSTANCES OF CONCERN AND RECYCLED CONTENT PER DELPHI 10949001	
MATERIAL M3592024 PA66 HS 1M CRM	
DRAWING NAME CONN 2 M PAC/ON 1	
DRAWING NUMBER 08900968	
SIZE A0	SCALE 5:1
FRAME NO 1	SHEET NO 1
OF 1	REV R
STG 02	W/P -

Mouser Electronics

Authorized Distributor

Click to View Pricing, Inventory, Delivery & Lifecycle Information:

[Aptiv:](#)

[08900968](#)