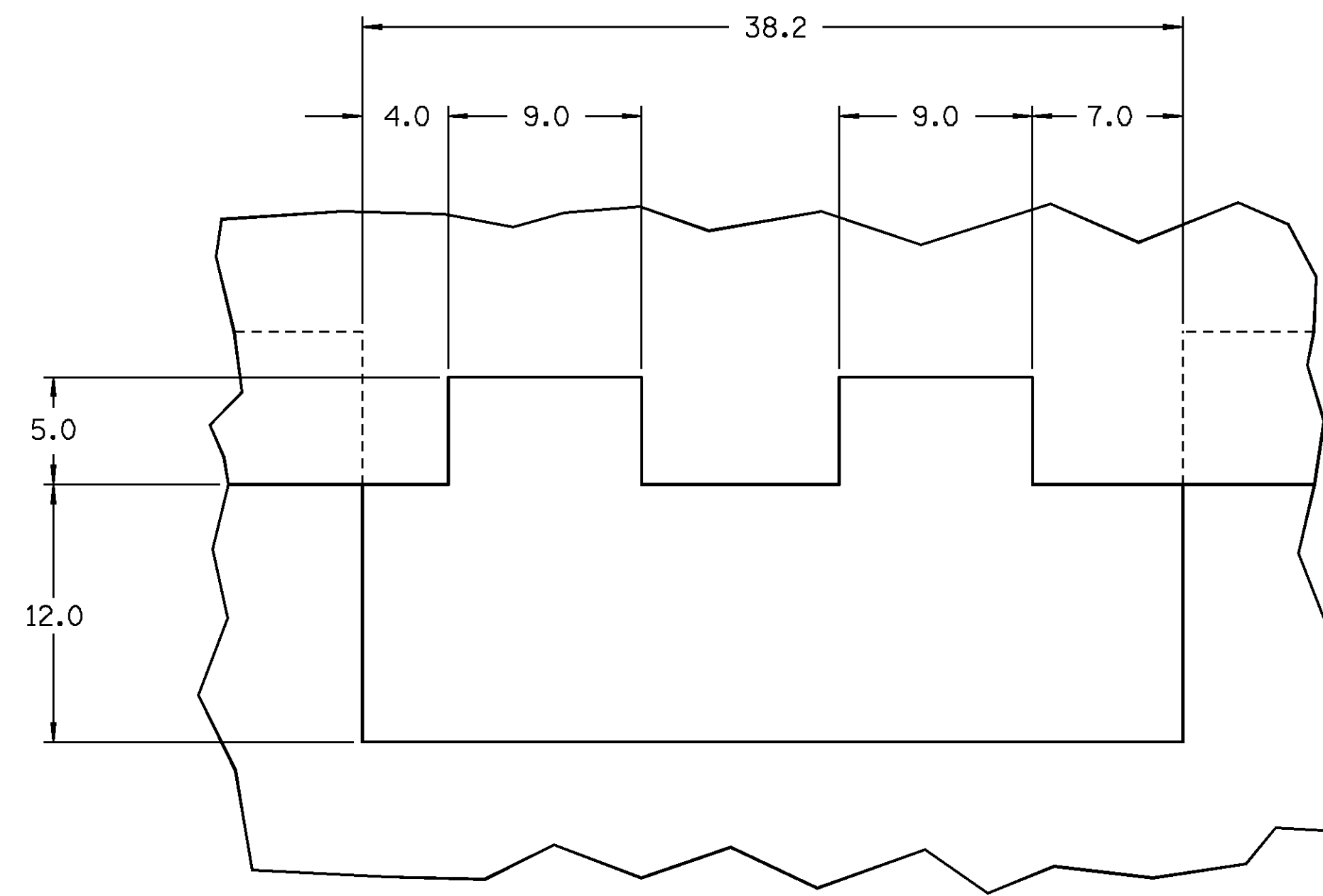
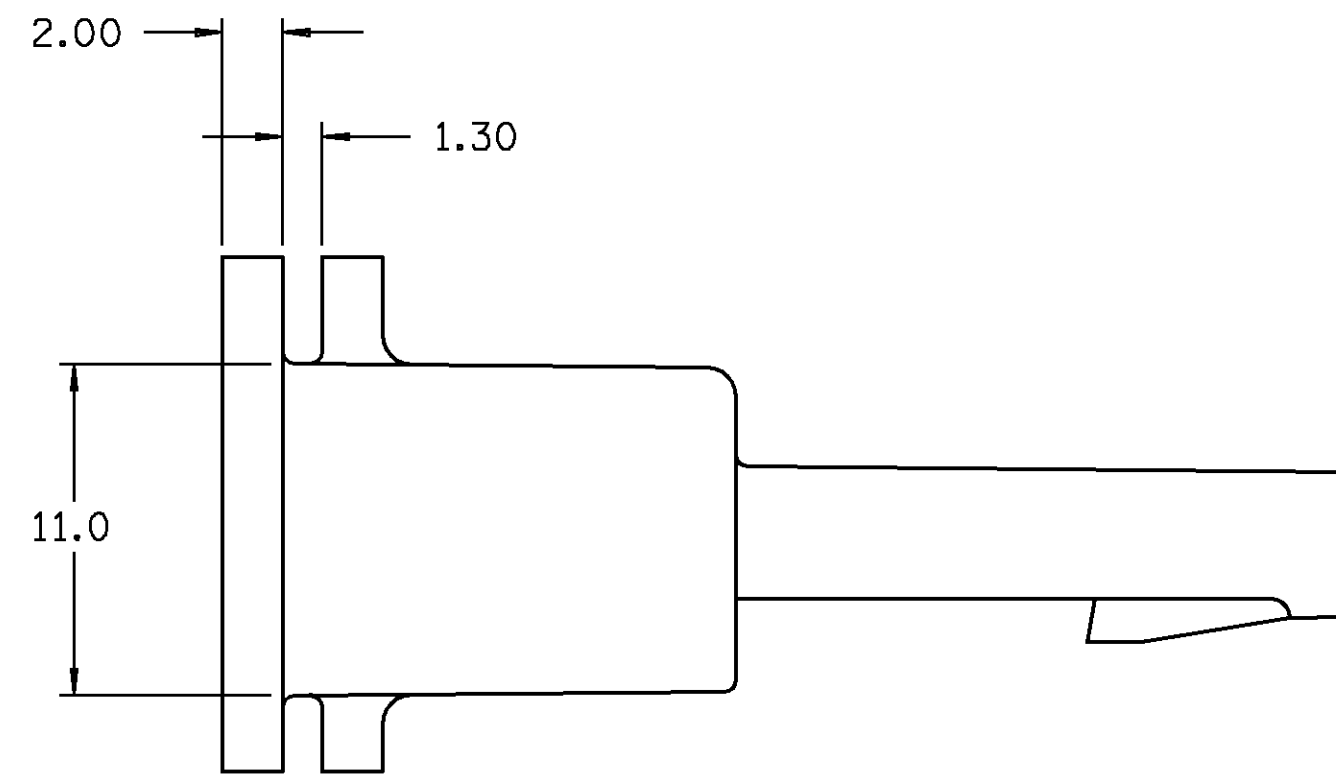
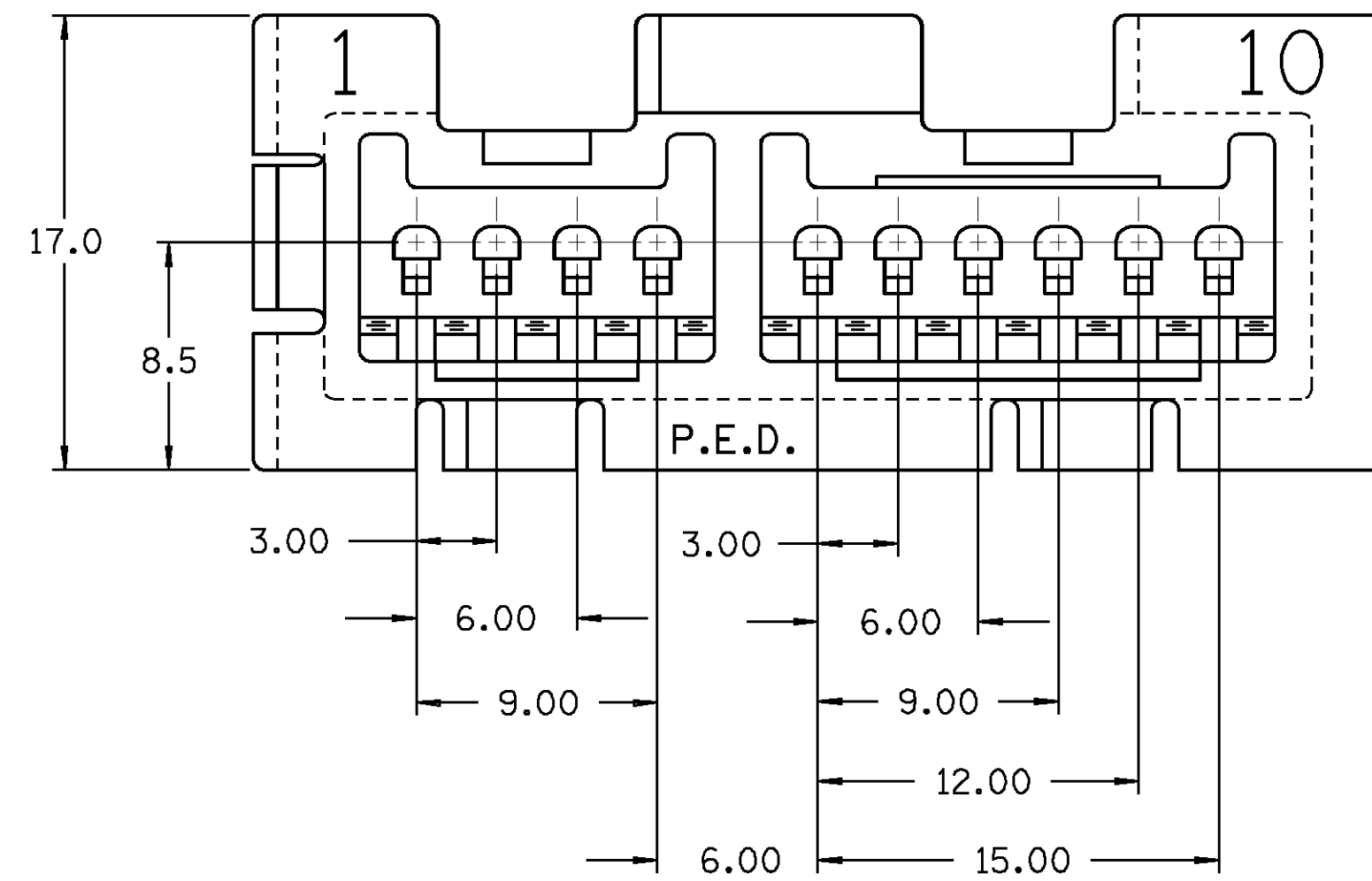


THIS DRAWING AND DESIGN HEREON CONSTITUTE A PROPRIETARY DESIGN OF PACKARD ELECTRIC DIVISION AND IS NOT TO BE DUPLICATED OR REPRODUCED WITHOUT AUTHORITY OF PACKARD ELECTRIC DIVISION.

DO NOT SCALE

PART NO. 1204 7814

PART NO. 1204 7814



MOUNTING HOLE

(VIEWED FROM OUTSIDE OF CASE)

- NOTES** —
1. CAVITIES TO ACCEPT 12040902 TERMINALS OR EQUIVALENT.
 2. MATING INSULATORS 12047531 OR EQUIVALENT.
 3. ALL CAVITIES ACCEPT A MAX INSULATION CRIMP OF 2.30 WIDE AND 2.85 HIGH (2.40 MAX CABLE O.D.). REFER TO ESA-605 FOR CRIMP DIMENSIONS.
 4. THIS CONNECTOR TO ACCEPT CONNECTOR POSITION ASSURANCE 12064989 OR EQUIVALENT.
 5. DIMENSIONS MARKED "REF" ARE FOR REFERENCE ONLY, AND NO TOLERANCE LIMITS ARE ESTABLISHED.
 6. BUTTON LOCKS MUST BE CLOSED (LOCKED) UPON COMPLETION OF HARNESS BUILD, SINCE THESE FUNCTION AS THE TPA FOR THE PARTS.

DATE	SYM	REVISION RECORD	AUTHORITY	DR	CK
04AP91	B3	REDRAWN - ADDED NOTE #5	141312	TPM	TPM
12MR92	B4	REVISED NOTE #3; REMOVED "REF"			
23AP96	B5	FROM 37.2 & 11.0 DIMS; & ADDED 42.2	147814	BAR	BAR
11JL96	B6	REVISION LEVEL ADVANCED	168453	HH	HH
		ADDED NOTE #6	170508	HH	HH

PACKARD ELECTRIC DIVISION
MOTOROLA CORPORATION
GENERAL WARREN, OHIO

141-P
3-V
4-V

		FILE SPEC: ***** USER: ***** DGN: ***** TIME: *****
THIRD ANGLE PROJECTION		METRIC DIMENSIONS ARE IN MILLIMETERS UNLESS OTHERWISE SPECIFIED.
CODE NO. 6901	TOLERANCE UNLESS OTHERWISE SPECIFIED: DECIMALS: ANGULAR ± 2° ONE PLACE ± 0.3 TWO PLACE ± 0.15	
Q.C.	SCALE: NONE	DR.
DWG. DATE 10N083		CK. F. HESTON DATE 12MR94
EST. NO.	APPR. J. GLADD	DATE 18MY84
REFERENCE NO. 12047814 "R" SIZE	APPR.	DATE
MATERIAL SPEC. UNMODIFIED POLYESTER (BLK)		
NAME CONN 10M MIC/P 100		
PART NO. 1204 7814	SIZE D	

Mouser Electronics

Authorized Distributor

Click to View Pricing, Inventory, Delivery & Lifecycle Information:

[Aptiv:](#)

[12047814](#)