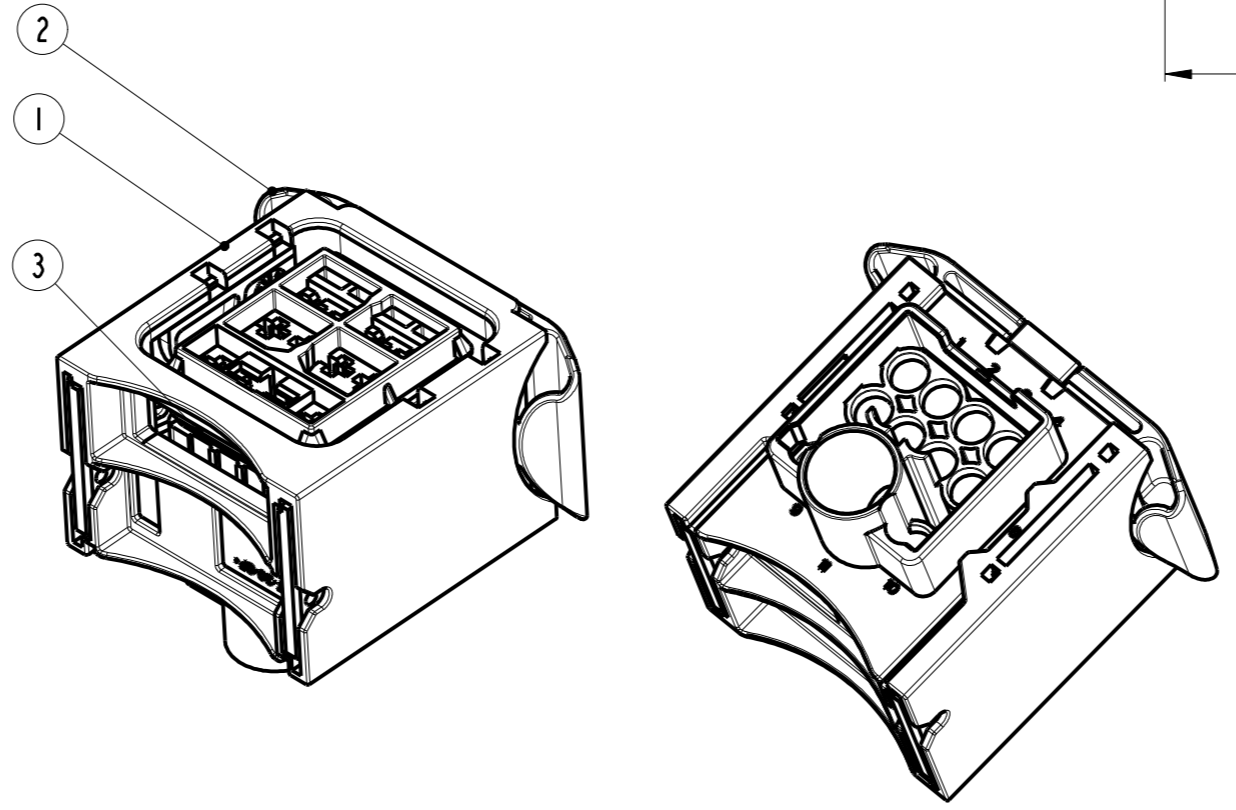
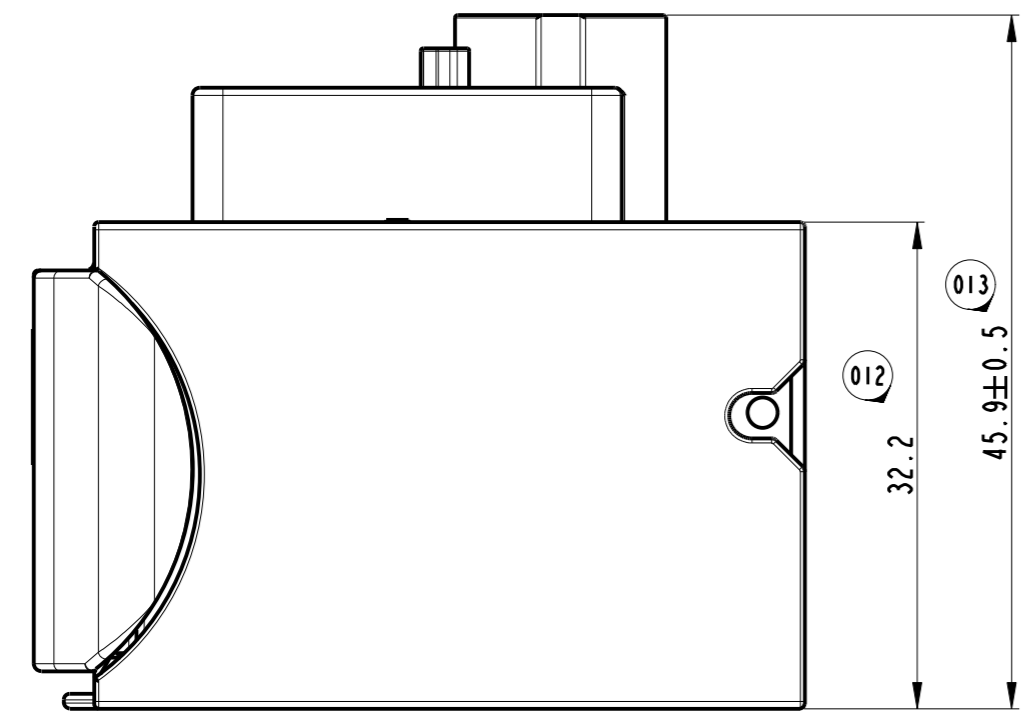
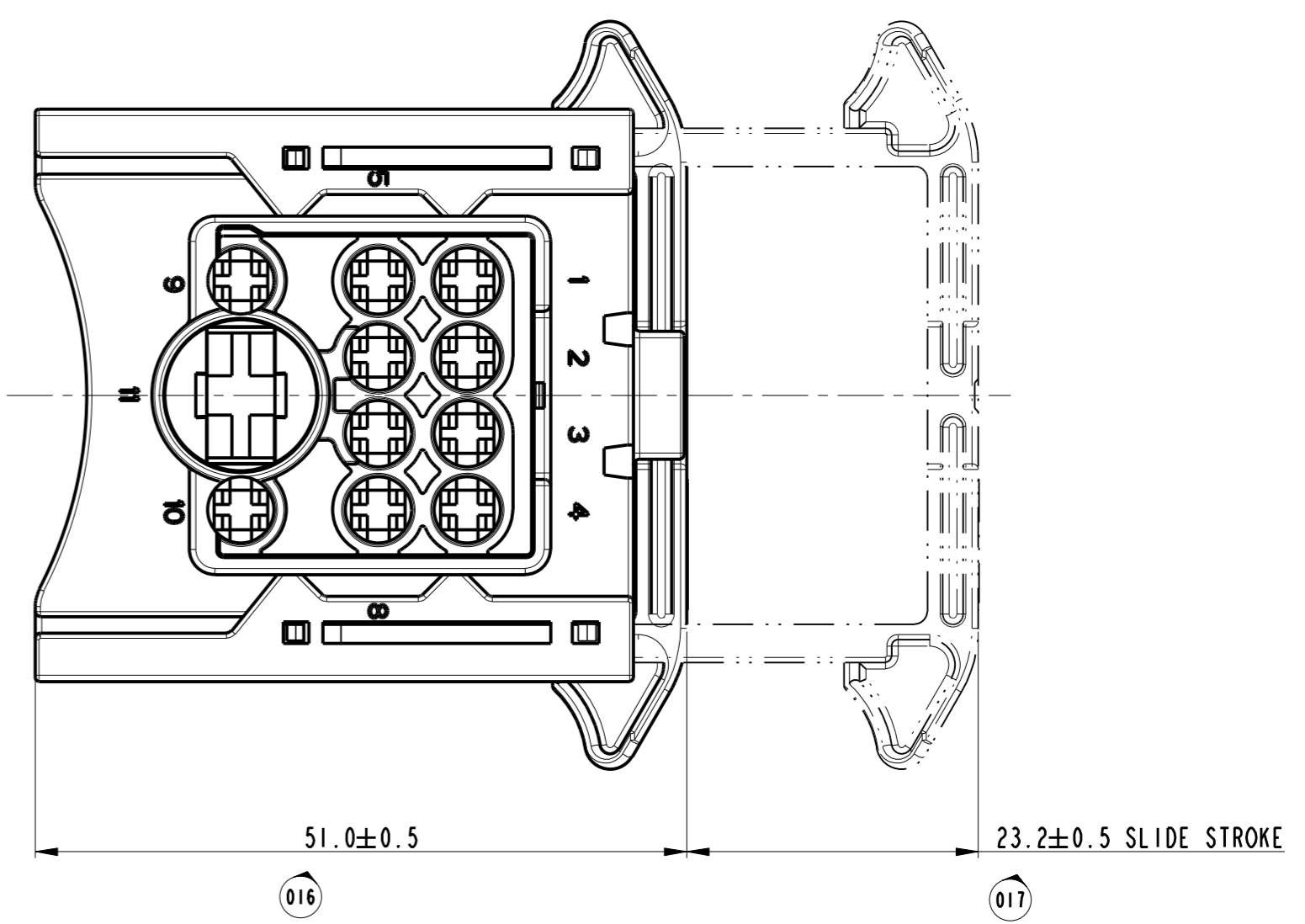
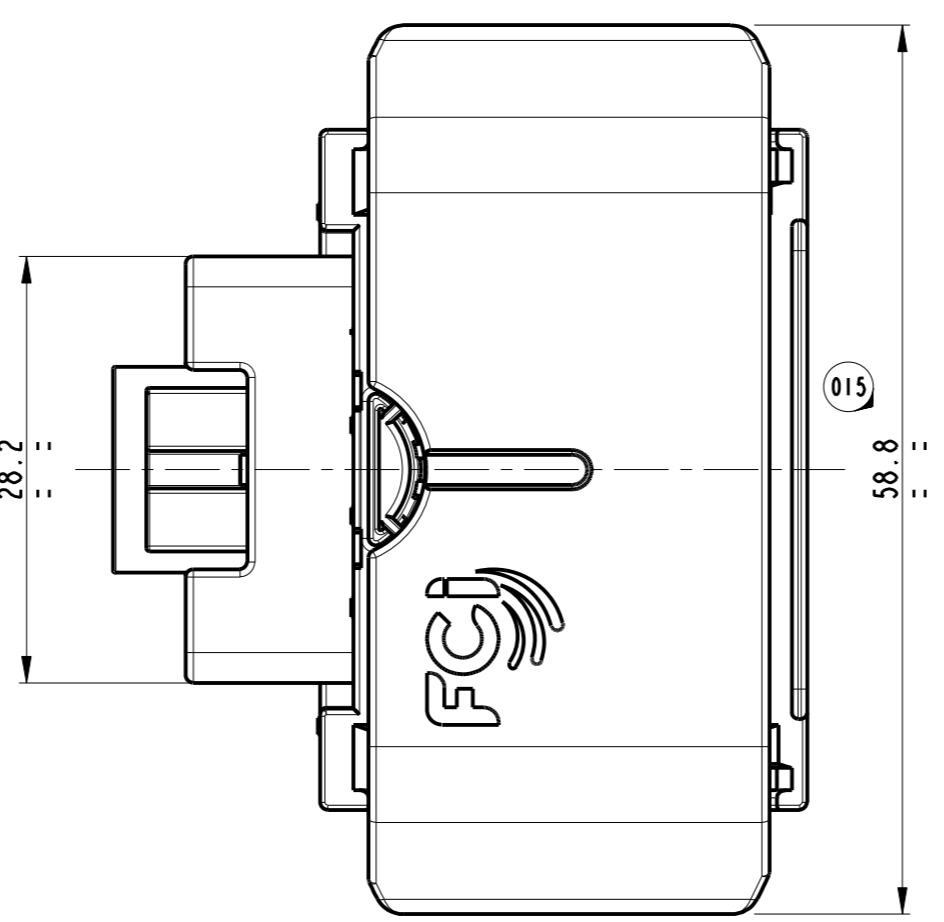
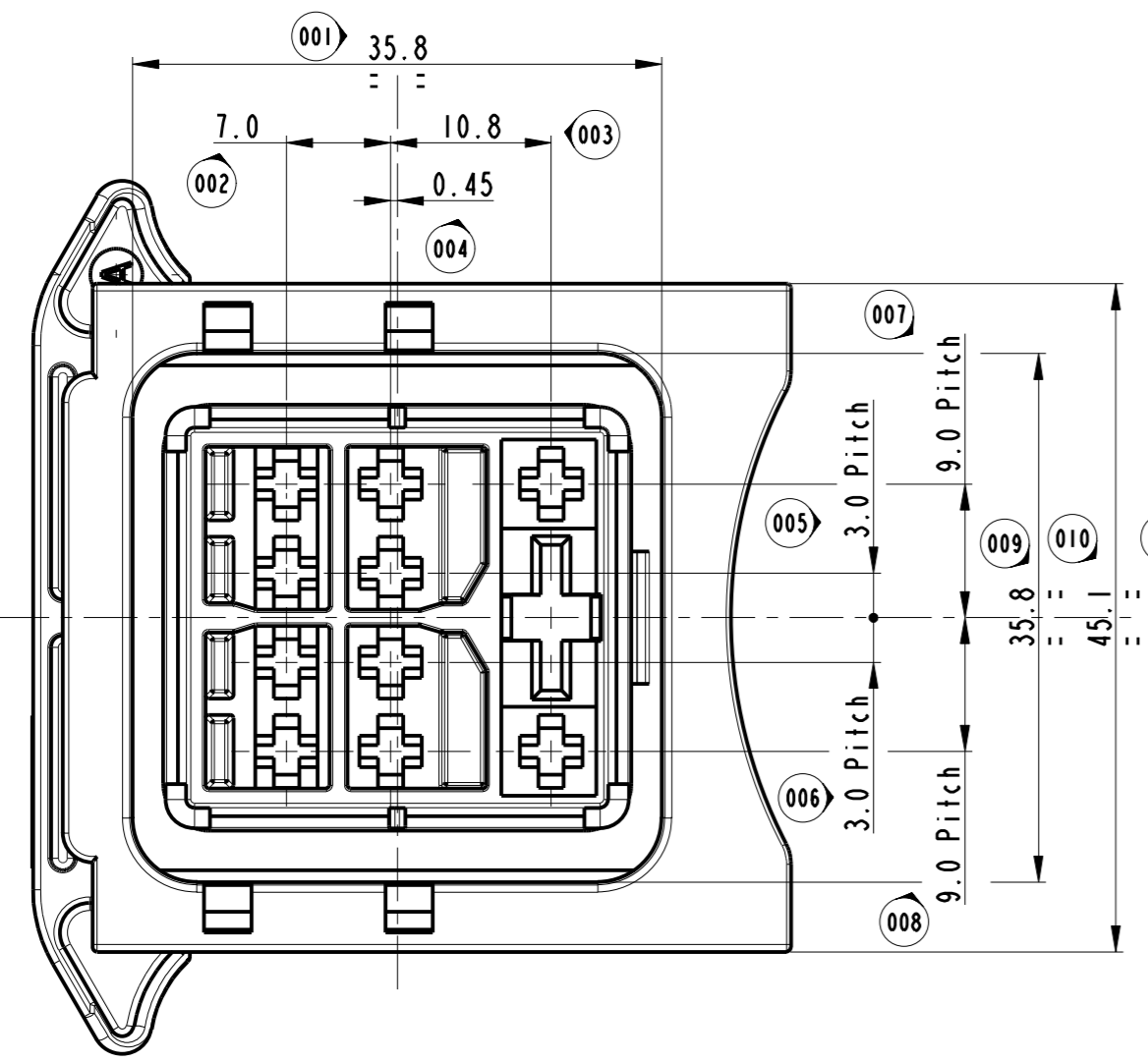


LAY OUT 11 WAY



9.5mm FEMALE TERM. MVL F682210 DPN 33517392	8.0-10.0	MVL 60993304 DPN 10889241 YELLOW	5.4-6.6	MVL 60993306 DPN 12186633 WHITE
9.5mm FEMALE TERM. MVL F582210 DPN 33517391	6.0	MVL 60993301 DPN 15327788 BLACK	3.8-5.2	
9.5mm FEMALE TERM. MVL 60070451 DPN 10780236	4.0	MVL 60993308 DPN 13546490 GREEN	3.4-3.7	
DCS2 2.8mm FEM. TERM. MVL 60012941 DPN 10779097	1.5-2.5	MVL 60994034 DPN 10779161 YELLOW	2.7-2.9	MVL 60994007 DPN 10779160 GREEN
		MVL 60994023 DPN 10779159 RED	2.2-2.6	
DCS2 2.8mm FEM. TERM. MVL 60012931 DPN 10789065	0.5-1.0	MVL 60994015 DPN 10779162 BLUE	1.2-2.0	
DCS2 2.8mm FEM. TERM. MVL 60012911 DPN 10811334	0.35			
<b>USABLE TERMINAL FOR THIS CONNECTOR</b>	<b>WIRE SIZE</b>	<b>P/N SWS COLOUR</b>	<b>Ø INSULATION</b>	<b>P/N CAVITY PLUG COLOUR</b>

ASSEMBLY CONFIGURATIONS

LAY OUT	9 WAY	7 WAY	10 WAY	11 WAY	
	BLIND CAVITIES				
<b>P/N</b>	1721105 REV.A	F554310 REV.A	F654310 REV.A	1721105A REV.A	
<b>DPN</b>	13653766	33504496	33504497	13773530	
<b>CLOSED CAVITIES</b>	5, 8	2, 3, 5, 8	9	none	
<b>1 HOUSING</b>	BLACK	DARK BROWN	DARK GREEN	GREY	PBT GLASS FIBER
<b>2 SLIDE</b>	RED	RED	RED	VIOLET	PA66 GLASS FIBER
<b>3 SEAL</b>	RED	RED	RED	RED	SILICON RUBBER
<b>REF. COMPONENT</b>					<b>MATERIAL</b>
					<b>COLOR</b>

CR-16/5199	16-05-2017	G	UPDATED FRAME AND ADDED DPN	GF R.B IG
16-17465	22-03-2016	F	Updated Material info due to a previous error	GF R.B IG
--	30/11/12	E	Correction dimension 013, 010 and general tolerance value	DT MC
--	06/11/12	D	Correction on dimension 001and 010. New logo	DT MC
12-01246	26/09/12	C	PN F682210 replaced 60070471 and F582210 replaced 60070461	DT MC
12-00609	07/05/12	B	Added new layout Tray and 10way (ESR EU-120263) and layout 11way	
			Modified cavities position of the 9way as the 11way (ref eca 12-01212)	DT MC
12-00042	08/02/12	A	Changed Slide colour and drawing description	DT MC
ECN-NO. NUMBER-ECN	DATE DD / MM / YY	REVISION REVISIONE	POSITION POSIZIONE	CHANGE DESCRIPTION DESCRIZIONE MODIFICA
PRODUCT SPEC. SPEC. DI PRODOTTO	PACKAGING SPEC. SPEC. DI IMBALLAGGIO	APPLICATION SPEC. SPEC. DI APPLICAZIONE	COPYRIGHT DELPHI CORPORATION AND/OR ITS AFFILIATES. ALL RIGHTS RESERVED. REVISED THIS DRAWING IS THE PROPERTY OF DELPHI CORPORATION. THE REPRODUCTION, DISTRIBUTION AND UTILIZATION OF THIS DOCUMENT OR ITS RELATED CAD DATA, AS WELL AS COMMUNICATION OF ANY CONTENT TO OTHERS, WITHOUT EXPRESS AUTHORIZATION IS PROHIBITED. DELPHI CORPORATION PROPRIETÀ DI DELPHI CORPORATION E CONTIENE INFORMAZIONI CONFIDENTIALI. LA RIPRODUZIONE, DISTRIBUZIONE E UTILIZZAZIONE DI QUESTO DOCUMENTO O DELLE SUE RELATIVE MATEMATICHE CAD, NONCHÉ LA COMUNICAZIONE DI QUALSIASI CONTENUTO AD ALTRI, SENZA ESPLICITA AUTORIZZAZIONE, È PROIBITA.	
IPS 292	17211105	IPS 293		
TOLERANCES TOLLERANZE	± 0.3mm / ± 0.7	MATERIAL MATERIALE	SURFACE FINISH FINITURA SUPERFICIALE	DELPHI PACKARD ELECTRICAL/ELECTRONIC ARCHITECTURE TORINO, ITALY
COUNTERPART N. CONTROPARTE N.		SEE TABLE	SEE TABLE	pro / eng.
DO NOT SCALE DRAWING DISEGNO FUORI SCALA			LOC. CODE NAZIONALITÀ	IT
DRAWN BY DATA	30/07/04	R.P.		
CHECKED BY DATA	30/07/04	T.C.		
APPROVED BY DATA	30/07/04	T.C.		
CONNECTOR FOR GLOW PLUG UNIT			DRAWING NUMBER FSD 309771	
EU 120263			FSD309771	
SCALE 1:1			SCALE 1:1	

# Mouser Electronics

Authorized Distributor

Click to View Pricing, Inventory, Delivery & Lifecycle Information:

[Aptiv:](#)

[F554310](#)